

AW/NW LED

INSTALLATION INSTRUCTIONS



WARNING:

- This product must be installed in accordance with the applicable installation code by a person familiar with the construction and operation of the product and the hazards involved.
- Make sure all electrical power is turned off while installing the fixture.
- This luminaire must be adequately grounded for protection against shock hazards and to assure proper operation.
- Disconnect power before servicing.
- LEDs are ESD (Electro Static Discharge) sensitive devices that can be easily damaged if the proper ESD mitigating steps are not taken.
- LEDs are very sensitive to mechanical damage. Caution must be taken to avoid damage to the LEDs.
- ESD or mechanical damage voids all warranties.
- Suitable for dry and damp locations.

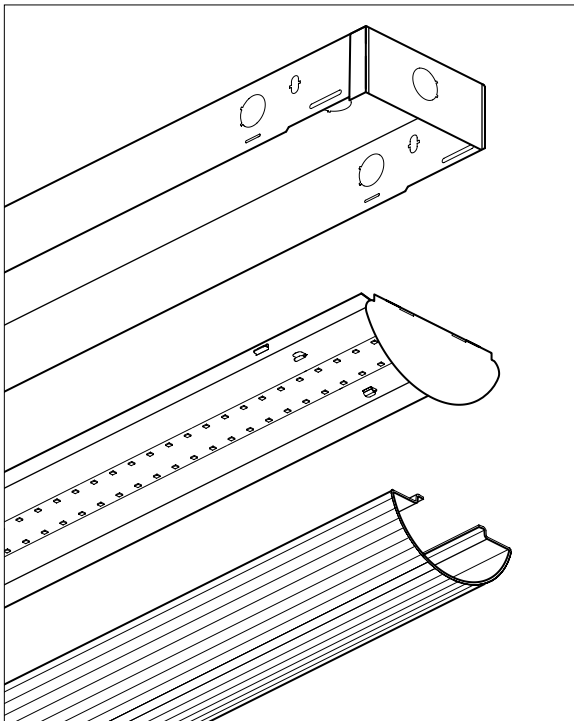
FOR USE WITH:

- AW
- NW

A. GENERAL MOUNTING

STEP 1: Remove lens and wireway cover from fixture. Secure fixture to ceiling using adequate hardware, by others.

FIG A.1.1 NW Shown



STEP 2: Make electrical connections in accordance with NEC and local codes. See FIG B.4.2

STEP 3: Re-install wireway cover and lens. Install end plates on non-row mounted ends.

B. MOUNTING USING VBY HANGER

STEP 1: Insert VBY hangers into slots. NW only: spread VBY hangers to clear fixture housing and insert into slots.

STEP 2: Attach VBY hanger to cable or chain (by others) adequately secured to ceiling structure.

STEP 3: Remove lens and wireway cover from fixture. See FIG A.1.1 Make electrical connections in accordance with NEC and local codes. See FIG B.4.2

STEP 4: Re-install wireway cover and lens. Install end plates on non-row mount ends. See FIG B.4.2

FIG B.4.1

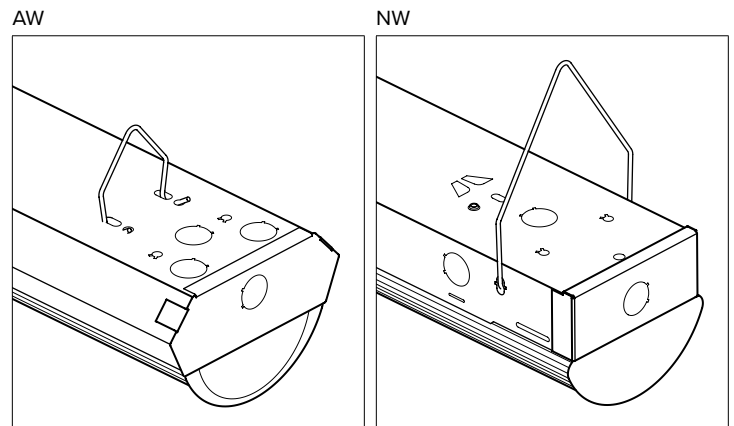


FIG B.4.2

