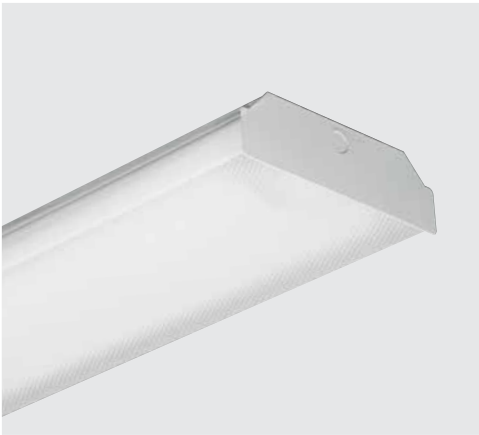


# WRAPS





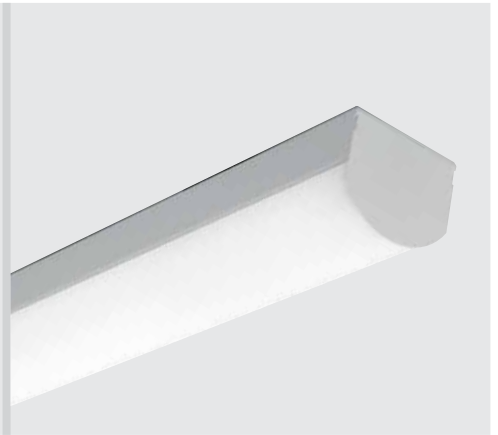
## 17 & 18

LOW-PROFILE LED WRAP



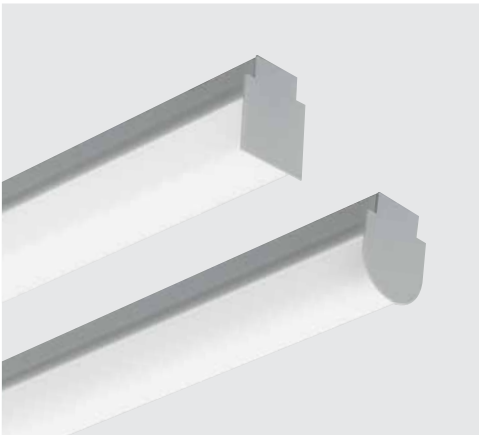
## 39 & 39W

SURFACE OR PENDANT LED WRAP



## SLF

SURFACE OR WALL MOUNT LED



## LLM

ARCHITECTURAL SLIMLINE LED



## AVX

ARCHITECTURAL VANDAL LED WRAP



## ASM

ARCHITECTURAL LED SURFACE

### PRODUCT DETAILS

SERIES	NOMINAL LUMENS	LENGTH			WIDTH	MOUNTING						OCC	EM	TAMPER RESISTANT	QUICKSHIP	
		2'	4'	8'		WALL	SURFACE	PENDANT	CABLE	SEMI-RECESSED	CORNER					ROW
17	2,700-11,000	■	■	■	10-3/4"		■	■				■		■		■
18	9,000		■		16-3/4"		■	■				■		■		■
39	3,000-16,800		■	■	10-3/16"		■	■	■			■		■		
39W	3,000-16,800		■	■	12-1/16"		■	■	■			■		■		
SLF	1,300-9,800	■	■		5-7/8"	■	■					■	■	■		
LLM	1,200-12,000	■	■	■	2-5/8"		■		■			■	■	■		
AVX	2,500-20,000	■	■	■	11"	■	■	■	■			■	■	■	■	
ASM	2,500-9,200		■	■	8-1/2"		■	■	■	■		■	■	■		

