

CB SERIES

DEFAULT COLOR DETAIL



Color specified for this series will default to parts painted as indicated in drawing to right.

STANDARD COLOR OPTIONS

For optimum results, the finish will default to textured polyester powder coat.

The standard colors listed below are available on this fixture without incurring a custom color fee (swatches available on request):



Colors shown will vary from actual material.

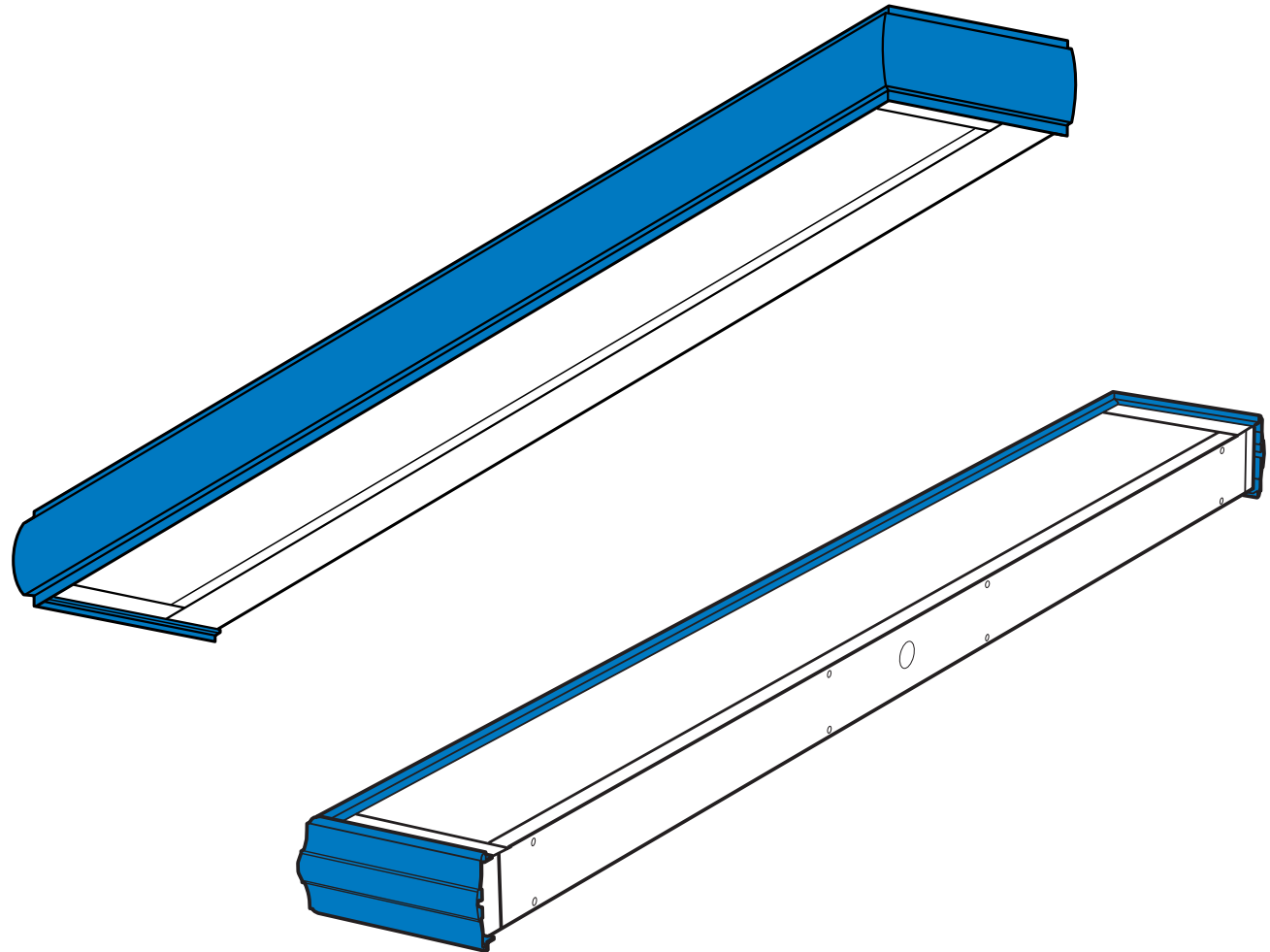
CUSTOM COLOR OPTION

For custom color (adder applies), please specify RAL code or a manufacturer code with description (see examples below).

All custom colors other than RAL require two sample swatches, minimum 1" square.

EXAMPLES:

- RAL color: RAL #5005 Signal blue
- Sherwin-Williams color (requires two 1" square swatches): #SW 6965, Hyper Blue



 DEFAULT COLOR LOCATIONS