

S15 SERIES

DEFAULT COLOR DETAIL



Color specified for this series will default to parts painted as indicated in drawing to right.

STANDARD COLOR OPTIONS

Williams super durable polyester powder coat meets and exceeds AAMA 2604 specifications for outdoor durability.

The standard colors listed below are available on this fixture without incurring a custom color fee (swatches available on request):



WHT (RAL #9003)
White Smooth Gloss



BLK (RAL #9004)
Black Smooth Gloss



GRN (RAL #6005)
Green Smooth Gloss



DBR
Medium Bronze Smooth Satin



DBZ
Dark Bronze Smooth Gloss



SLV (RAL #9006)
Satin Aluminum



GRAY
Standard Gray Smooth Gloss

Colors shown will vary from actual material.

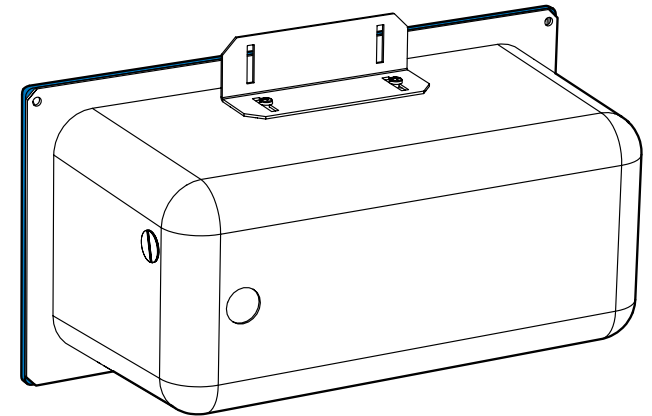
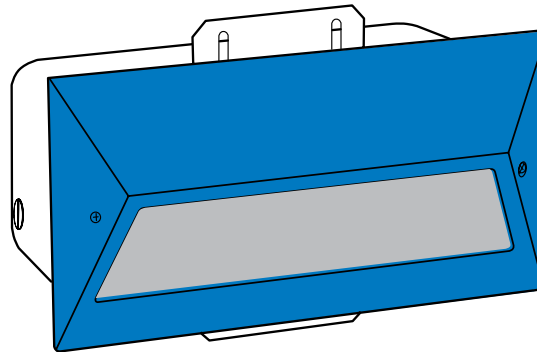
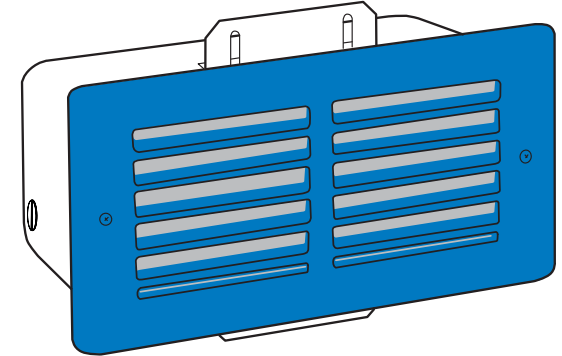
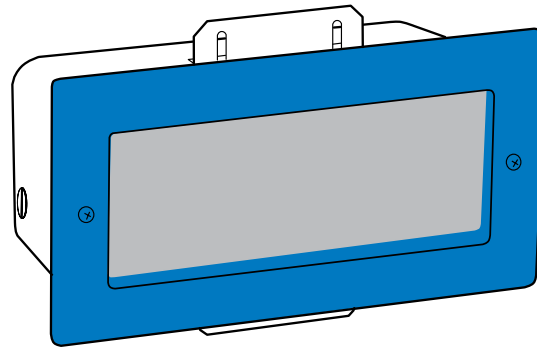
CUSTOM COLOR OPTION

For custom color (adder applies), please specify RAL code or a manufacturer code with description (see examples below).

All custom colors other than RAL require two sample swatches, minimum 1" square.

EXAMPLES:

- RAL color: RAL #5005, Signal blue
- Sherwin-Williams color (requires two 1" square swatches): #SW 6965, Hyper Blue



 DEFAULT COLOR LOCATIONS