

# SIA2 SERIES

## DEFAULT COLOR DETAIL



Color specified for this series will default to parts painted as indicated in drawing to right.

### STANDARD COLOR OPTIONS

For optimum results, the finish will default to textured polyester powder coat.

The standard colors listed below are available on this fixture without incurring a custom color fee (swatches available on request):



Colors shown will vary from actual material.

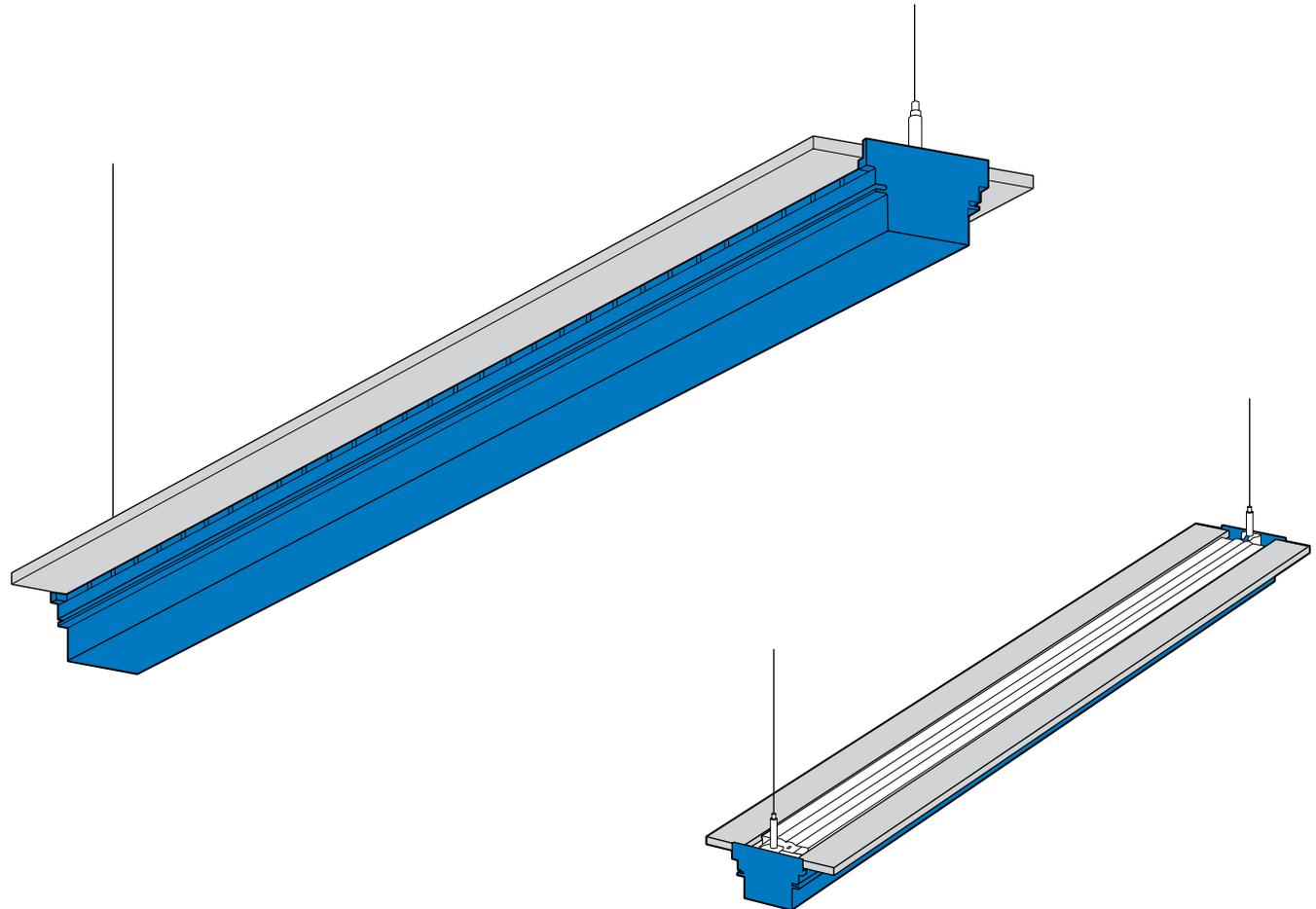
### CUSTOM COLOR OPTION

For custom color (adder applies), please specify RAL code or a manufacturer code with description (see examples below).

All custom colors other than RAL require two sample swatches, minimum 1" square.

### EXAMPLES:

- RAL color: RAL #5005, Signal blue
- Sherwin-Williams color (requires two 1" square swatches): #SW 6965, Hyper Blue



 DEFAULT COLOR LOCATIONS