

SIA2 Series

Default Color Detail

Color specified for this series will default to parts painted as indicated in drawings at right.

STANDARD COLOR OPTIONS

For optimum results, the finish will default to textured matte polyester powder coat.

The standard colors listed below are available on this fixture without incurring a custom color fee (swatches available on request):



The colors shown will vary from actual material.

CUSTOM COLOR OPTION

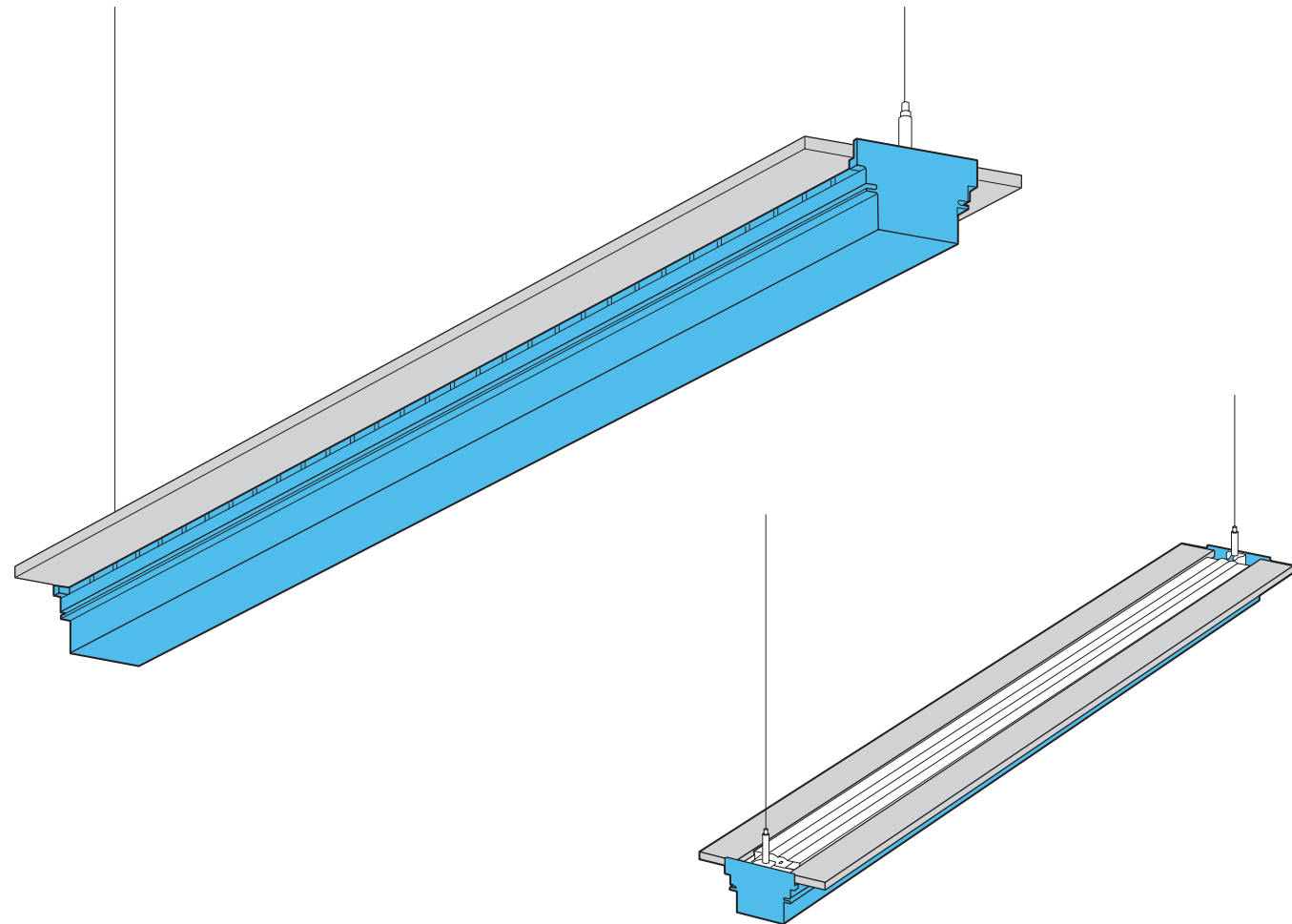
For custom color (add price applies), please specify RAL code or a manufacturer code with description (see examples below).

All custom colors other than RAL require two sample swatches, minimum 1" square.

EXAMPLES:

- RAL color: **RAL #4009 Pastellviolett**
- Sherwin-Williams color (requires two 1" sq. swatches): **#SW6795, Major Blue**

 = Default Color Locations



SIA2 SERIES COLOR DETAIL



H.E. Williams, Inc.
www.hewilliams.com
1-866-358-4065
CC0048.042414J

