

# VF STRAIGHT ARM DIRECT MOUNT

## INSTALLATION INSTRUCTIONS



### WARNING:

- This product must be installed in accordance with the applicable installation code by a person familiar with the construction and operation of the product and the hazards involved.
- Make sure all electrical power is turned off while installing the fixture.
- This luminaire must be adequately grounded for protection against shock hazards and to assure proper operation.
- Disconnect power before servicing.
- LEDs are ESD (Electro Static Discharge) sensitive devices that can be easily damaged if the proper ESD mitigating steps are not taken.
- LEDs are very sensitive to mechanical damage. Caution must be taken to avoid damage to the LEDs.
- ESD or mechanical damage voids all warranties.

### TOOLS/FASTENERS REQUIRED:

- Torque Wrench with range of 15-125 lb-in.

#### VF1

- 1/8" Hex Key
- #25 (.149") drill
- #10-24 thread tap

#### VF2

- 1/8" Hex Key
- 5/32" Hex Key
- #7 (.201") drill
- 1/4-20 thread tap

### FOR USE WITH:

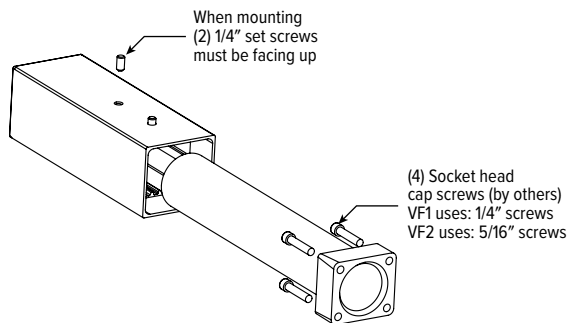
- VF1-DMVT
- VF1-DMHT
- VF2-DMVT
- VF2-DMHT

## DIRECT MOUNT INSTALLATION

### FOR HORIZONTAL OR VERTICAL MOUNTING ONLY.

**STEP 1:** Remove extruded sleeve from pipe support by loosening (do not remove) (2) 1/4-20 set screws.

FIG 1.1



**STEP 2:** Feed incoming power supply wires through the pipe support and install pipe support to a pole, anchored base, or other structure

**NOTE:** Mounting hardware, by others, must be adequate to support the weight of the fixture (VF1: 8 lbs., VF2: 20 lbs., plus the mounting arm weight: up to 7 lbs.)

**STEP 3:** Use mounting base as a drilling template and center-punch before drilling/threading so drill does not walk at angle. Tighten (4) socket head cap screws in base to 60-70 lb.-in. torque.

**STEP 4:** Slip-fit extruded arm over pipe support and field wires. Level extruded sleeve then tighten the (2) 1/4-20 set screws.

**STEP 5:** Refer to [VF INSTRUCTIONS](#) for fixture mounting.

FIG 5.1 DMHT Dims

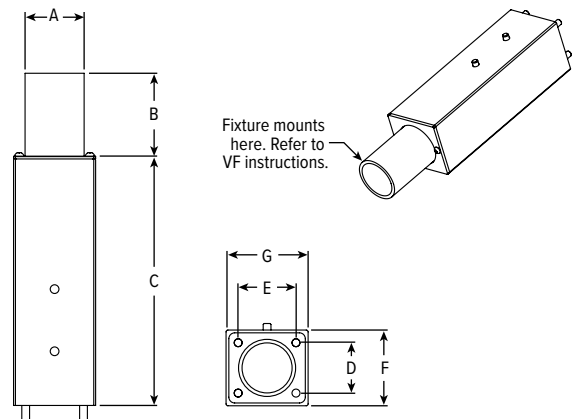
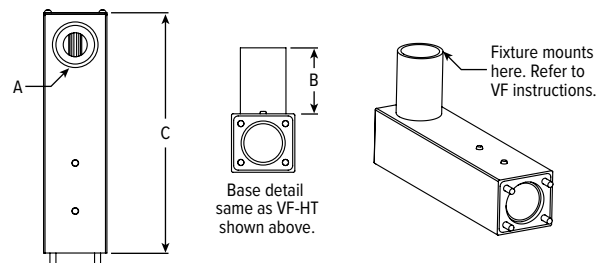


FIG 5.2 DMVT Dims



		A	B	C	D	E	F	G
VF1	DMHT	1-15/16"	2-3/4"	8"	1-5/8"	1-7/8"	2-1/2"	2-11/16"
	DMVT			10"				
VF2	DMHT	2-3/8"	4-1/4"	12"	2-3/16"	2-1/2"	3-3/8"	3-13/16"
	DMVT			14"				