

VF STRAIGHT ARM HORIZONTAL TENON

INSTALLATION INSTRUCTIONS



WARNING:

- This product must be installed in accordance with the applicable installation code by a person familiar with the construction and operation of the product and the hazards involved.
- Make sure all electrical power is turned off while installing the fixture.
- This luminaire must be adequately grounded for protection against shock hazards and to assure proper operation.
- Disconnect power before servicing.
- LEDs are ESD (Electro Static Discharge) sensitive devices that can be easily damaged if the proper ESD mitigating steps are not taken.
- LEDs are very sensitive to mechanical damage. Caution must be taken to avoid damage to the LEDs.
- ESD or mechanical damage voids all warranties.

TOOLS/FASTENERS REQUIRED:

- Torque Wrench with range of 15-125 lb-in.
- 1/8" Hex Key
- 5/32" Hex Key

FOR USE WITH:

- VF1-HT
- VF2-HT

HORIZONTAL TENON INSTALLATION

FOR HORIZONTAL MOUNTING ONLY.

STEP 1: Remove slip fitter top cap by loosening (do not remove) (4) 1/4-20 set screws.

STEP 2: Feed incoming power supply wires through the slip fitter and place slip fitter/arm mounts over any 2" (2-3/8 O.D.) tenon.

NOTE: Optional slip fitters available to fit over a 2-7/8" O.D. or 3" O.D. pole tops.

STEP 3: Level top of slip fitter/arm mounts and tighten the (4) 3/8-16 set screws. Torque to 115-125 lb.-in.

NOTE: To prevent slip fitter rotation, remove one set screw, drill a small recessed screw point into the tenon or pole, being careful to avoid damaging the threads in the slip fitter. Replace the set screw, ensuring proper torque.

STEP 4: Refer to [VF INSTRUCTIONS](#) for fixture mounting.

FIG 4.1

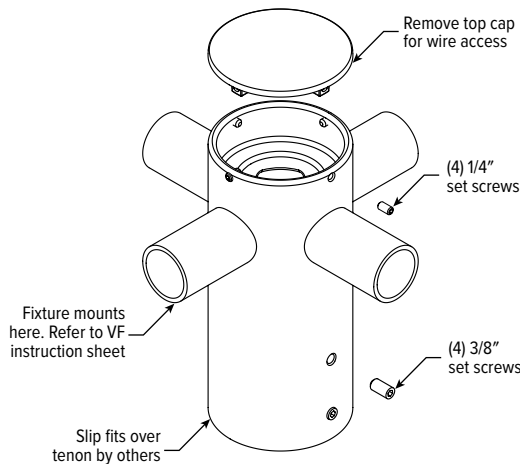
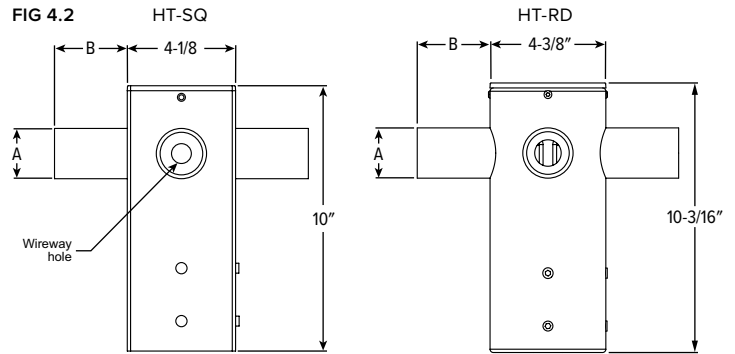


FIG 4.2



		A	B
VF1	HT-SQ	1-15/16"	2-3/4"
	HT-RD		
VF2	HT-SQ	2-3/8"	4-1/4"
	HT-RD		