

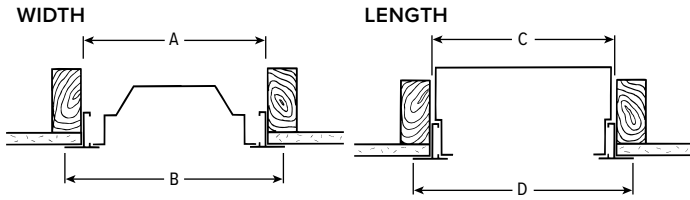
DRYWALL KIT (DFK)

INSTALLATION INSTRUCTIONS



FOR USE WHEN MOUNTING IN DRYWALL OR CEILINGS REQUIRING FLANGE TRIM.

TYPICAL INSTALLATION DIMENSIONS

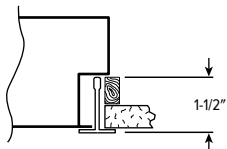


Refer to table below for dimensions.

	CATALOG NUMBER	NOMINAL SIZE	ROUGH-IN		FINISH TRIM SIZE	
			WIDTH (A)	LENGTH (C)	WIDTH (B)	LENGTH (D)
STAND-ALONE	DFK-0424	4" x 2'	4-5/8"	24-3/8"	5-9/16"	25-5/16"
	DFK-0436	4" x 3'	4-5/8"	36-3/8"	5-9/16"	37-5/16"
	DFK-0448	4" x 4'	4-5/8"	48-3/8"	5-9/16"	49-5/16"
	DFK-0624	6" x 2'	6-3/8"	24-3/8"	7-5/16"	25-5/16"
	DFK-0636	6" x 3'	6-3/8"	36-3/8"	7-5/16"	37-5/16"
	DFK-0648	6" x 4'	6-3/8"	48-3/8"	7-5/16"	49-5/16"
	DFK-0660	6" x 5'	6-3/8"	60-3/8"	7-5/16"	61-5/16"
	DFK-0848	8" x 4'	8-3/8"	48-3/8"	9-5/16"	49-5/16"
	DFK-1024	10" x 2'	10-3/8"	24-3/8"	11-5/16"	25-5/16"
	DFK-1048	10" x 4'	10-3/8"	48-3/8"	11-5/16"	49-5/16"
	DFK-1212	1' x 1'	12-3/8"	12-3/8"	13-5/16"	13-5/16"
	DFK-1224	1' x 2'	12-3/8"	24-3/8"	13-5/16"	25-5/16"
	DFK-1236	1' x 3'	12-3/8"	36-3/8"	13-5/16"	37-5/16"
	DFK-1248	1' x 4'	12-3/8"	48-3/8"	13-5/16"	49-5/16"
	DFK-2048	20" x 4'	20-3/8"	48-3/8"	21-5/16"	49-5/16"
	DFK-2424	2' x 2'	24-3/8"	24-3/8"	25-5/16"	25-5/16"
DFK-2448	2' x 4'	24-3/8"	48-3/8"	25-5/16"	49-5/16"	
DFK-3636	3' x 3'	36-3/8"	36-3/8"	37-5/16"	37-5/16"	
DFK-4848	4' x 4'	48-3/8"	48-3/8"	49-5/16"	49-5/16"	
CONTINUOUS EXTENSIONS	DFKR-0448	4" x 4'	4-5/8"	See note below	5-9/16"	See note below
	DFKR-0648	6" x 4'	6-3/8"		7-5/16"	
	DFKR-0848	8" x 4'	8-3/8"		9-5/16"	
	DFKR-1048	10" x 4'	10-3/8"		11-5/16"	
	DFKR-1248	1' x 4'	12-3/8"		13-5/16"	
	DFKR-2448	2' x 4'	24-3/8"		25-5/16"	

NOTE: For each 4' fixture in continuous row, add 48" to length. For continuous row installations, order one individual unit and balance in extension DFKR sections.

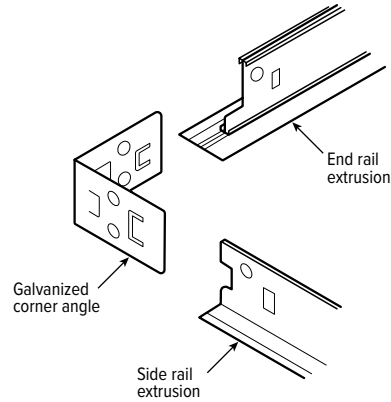
Some fixtures' end plates extend over the top of the "T." When using these fixtures, the structure surrounding the DFK is to extend no more than 1-1/2" from the bottom of the "T" as shown. See back views provided on individual specification sheets to identify fixtures with extended end plates.



ASSEMBLE CORNER ANGLES

STEP 1: Insert galvanized corner angles into side and end rails (for individual fixtures) or into side rail and intermediate rail (for continuous row mounting).

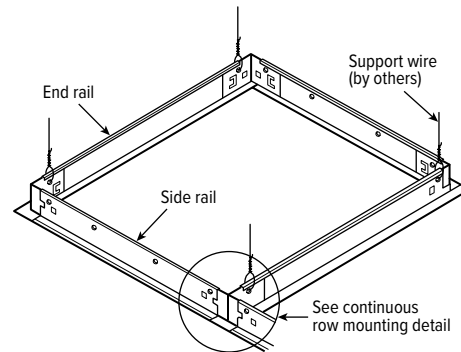
FIG 1.1



CEILING MOUNTING

STEP 2: Place the assembled frame into the ceiling opening and support with wire (as shown below) from rigid ceiling structure.

FIG 2.1



CONTINUOUS ROW MOUNTING

STEP 3: For continuous row installation, order one individual unit (DFK) and the balance in extension sections (DFKR). Use one end rail from the individual unit at each end of the row.

FIG 3.1

