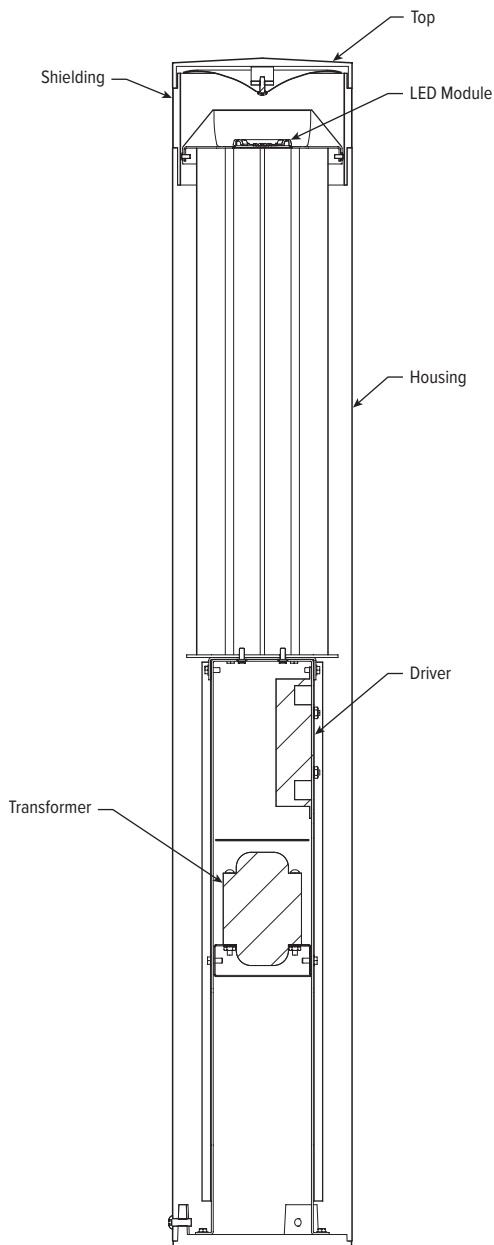


WARNING:

- This product must be installed in accordance with the applicable installation code by a person familiar with the construction and operation of the product and the hazards involved.
- Make sure all electrical power is turned off while installing the fixture.
- External parts of fixture develop high operating temperature. To avoid pain or injury, do not touch external parts of fixture when it is in operation.
- This luminaire must be adequately grounded for protection against shock hazards and to assure proper operation.
- Disconnect power before servicing.

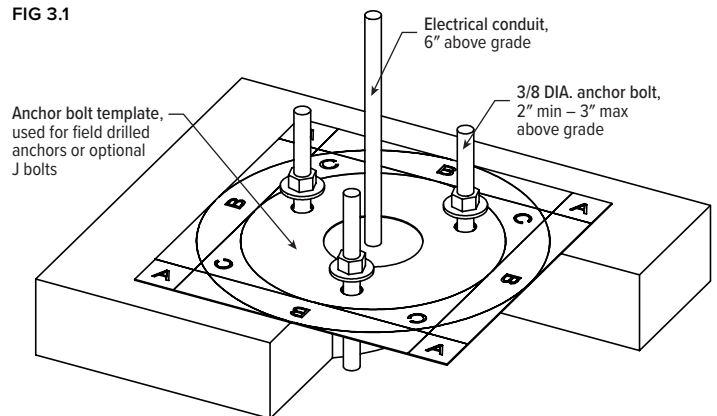
- All gaskets and sealing surfaces must be kept clean during installation.
- No user serviceable parts inside. Consult factory for LED replacement.
- Do not touch LED modules.
- LEDs are ESD (Electro Static Discharge) sensitive devices that can be easily damaged if the proper ESD mitigating steps are not taken.
- LEDs are very sensitive to mechanical damage. Caution must be taken to avoid damage to the LEDs.
- ESD or mechanical damage voids all warranties.
- Suitable for wet location.



INSTALLATION

- STEP 1:** Power is supplied to the fixture through an electrical conduit that should extend 6" above finish grade. The conduit enters the fixture through the base as indicated on the included anchor bolt template.
- STEP 2:** Prepare for an adequate concrete base that will fully surround the anchor bolts. The concrete base surface should be level and the surface area should be no less than the cast base size.
- STEP 3:** Decide on the bollard orientation. Position three anchor bolts into the concrete using the included anchor bolt template to achieve the desired orientation. The minimum length the anchor bolts should extend past the leveled grade is 2", the maximum being 3". (FIG 3.1)

FIG 3.1

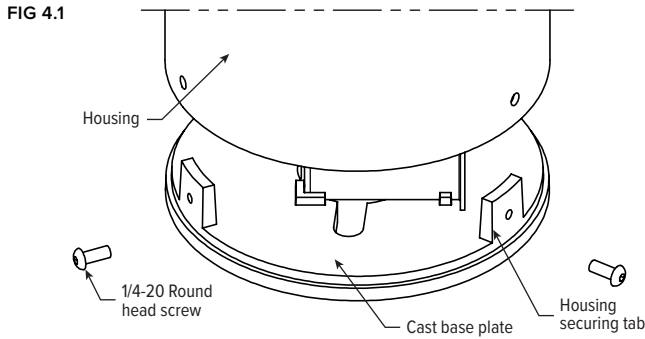


CONTINUED ON PAGE 2.

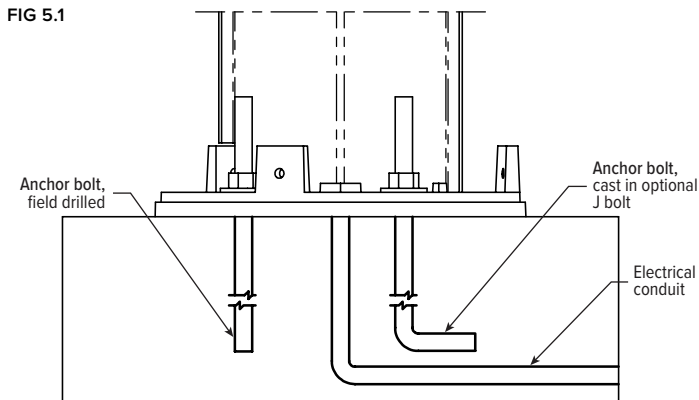
OSA BOLLARDS

INSTALLATION INSTRUCTIONS

STEP 4: Remove the (3 for round & 4 for square) 1/4-20 round allen head screws located at the base of the bollard housing. Lift the housing straight up to separate it from the cast base and inner assembly. (FIG 4.1)



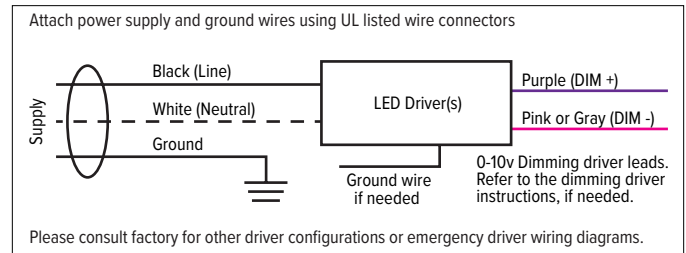
STEP 5: Carefully place the cast base assembly onto the anchor bolts and plumb. (FIG 5.1)



STEP 6: Make sure the power is turned off. Connect the supply wires as follows: black to black, white to white, & green to ground. See "WIRING DIAGRAM" on page 2.

STEP 7: Place the bollard housing over the inner assembly and back onto the cast base. Make sure all gaskets and sealing surfaces are clean and in place. Secure using the 1/4-20 round allen head screws.

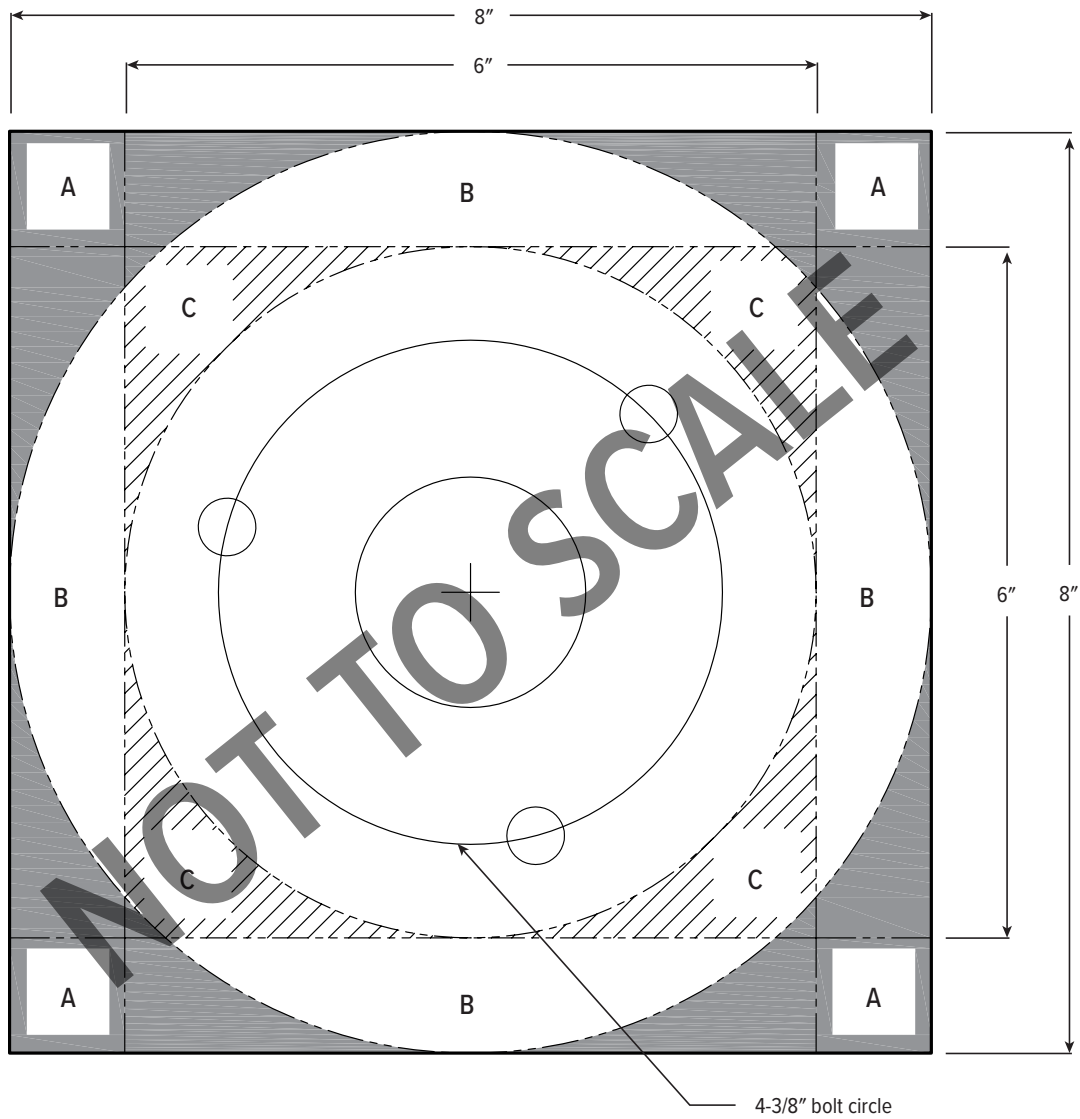
WIRING DIAGRAM



OSA BOLLARDS

INSTALLATION INSTRUCTIONS

MOUNTING TEMPLATE



NOTE: The sample template above is not to scale and is not intended for actual use on-site. Scaled template will be shipped with every bollard or anchor bolt order.