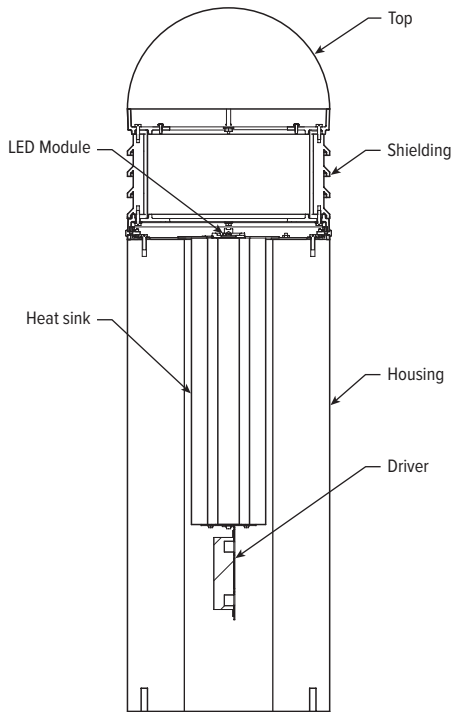


**WARNING:**

- This product must be installed in accordance with the applicable installation code by a person familiar with the construction and operation of the product and the hazards involved.
- Make sure all electrical power is turned off while installing the fixture.
- External parts of fixture develop high operating temperature. To avoid pain or injury, do not touch external parts of fixture when it is in operation.
- This luminaire must be adequately grounded for protection against shock hazards and to assure proper operation.
- Disconnect power before servicing.

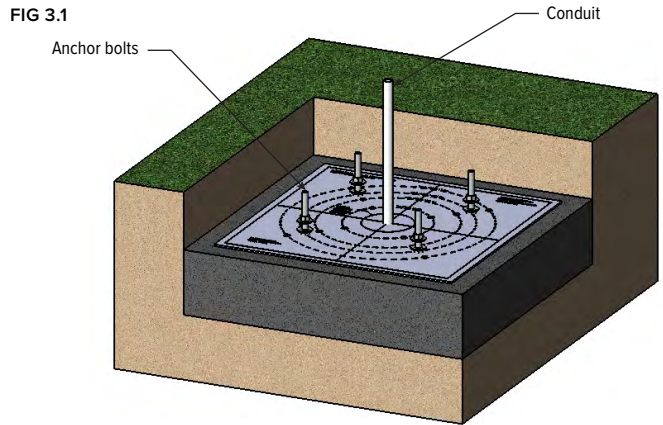
- All gaskets and sealing surfaces must be kept clean during installation.
- No user serviceable parts inside. Consult factory for LED replacement.
- Do not touch LED modules.
- LEDs are ESD (Electro Static Discharge) sensitive devices that can be easily damaged if the proper ESD mitigating steps are not taken.
- LEDs are very sensitive to mechanical damage. Caution must be taken to avoid damage to the LEDs.
- ESD or mechanical damage voids all warranties.
- Suitable for wet location.



### INSTALLATION

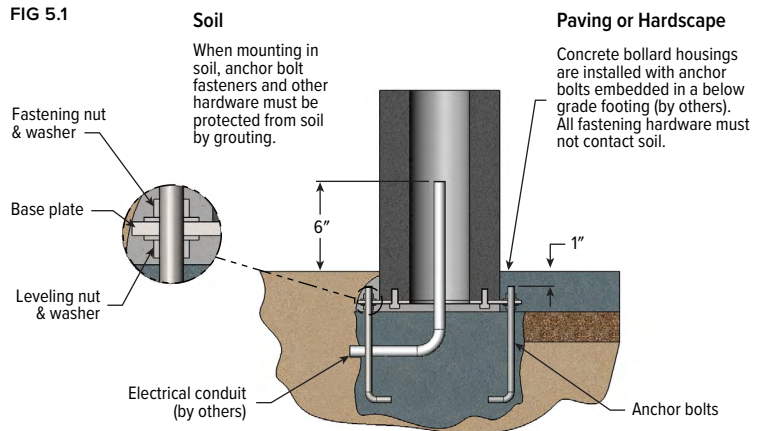
- STEP 1:** Power source is supplied to the fixture through the electrical conduit that should extend 6" above grade. The conduit enters through the base plate as indicated on the anchor bolt template provided.
- STEP 2:** Prepare for an adequate concrete footing that will fully surround and embed the anchor bolts. The footing depth recommendation is 18". The top of the concrete surface should be a minimum of 4" below finished grade with a level finished surface. The footing shall be no less in dimension than the base plate.

**STEP 3:** Using the anchor bolt template provided, orientate the bollard to the desired position. Set in the anchor bolts and conduit accordingly. The top of the bolt shall be 1" below finished grade. The top of the conduit shall be 6" above finished grade. (FIG 3.1)



**STEP 4:** Carefully position the concrete bollard housing on to the fully hardened footing with anchoring bolts, leveling nuts with washers and conduit in place. Level and secure with anchoring hardware provided.

**STEP 5:** To maintain maximum stability, pack grout between the base plate and footing to ensure full contact with foundation. (FIG 5.1)



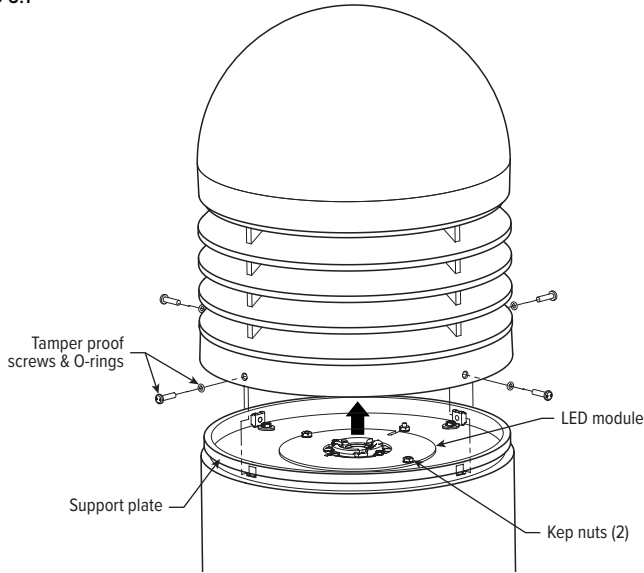
CONTINUED ON PAGE 2.

# OSC BOLLARDS

## INSTALLATION INSTRUCTIONS

**STEP 6:** Remove the 4 tamper proof screws with O-rings; lift off the upper shield and bollard top. Proceed to remove the LED module assembly by removing the 2 keps nuts holding the assembly in place. See “WIRING DIAGRAM” on page 2. (FIG 6.1)

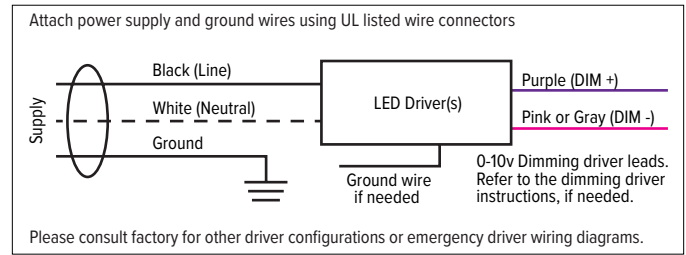
FIG 6.1



**STEP 7:** Making sure that all power is turned off, connect the supply wires as follows: black to black, white to white, & green to green. Reinstall the LED module in thru the core of the LED module base and secure to the lower support plate using the 2 keps nuts previously removed.

**STEP 8:** Place the upper shield assembly with bollard top over and onto the lower support plate. Line up with cage nuts and secure with (4) tamper proof machine screws with O-rings. (FIG 6.1)

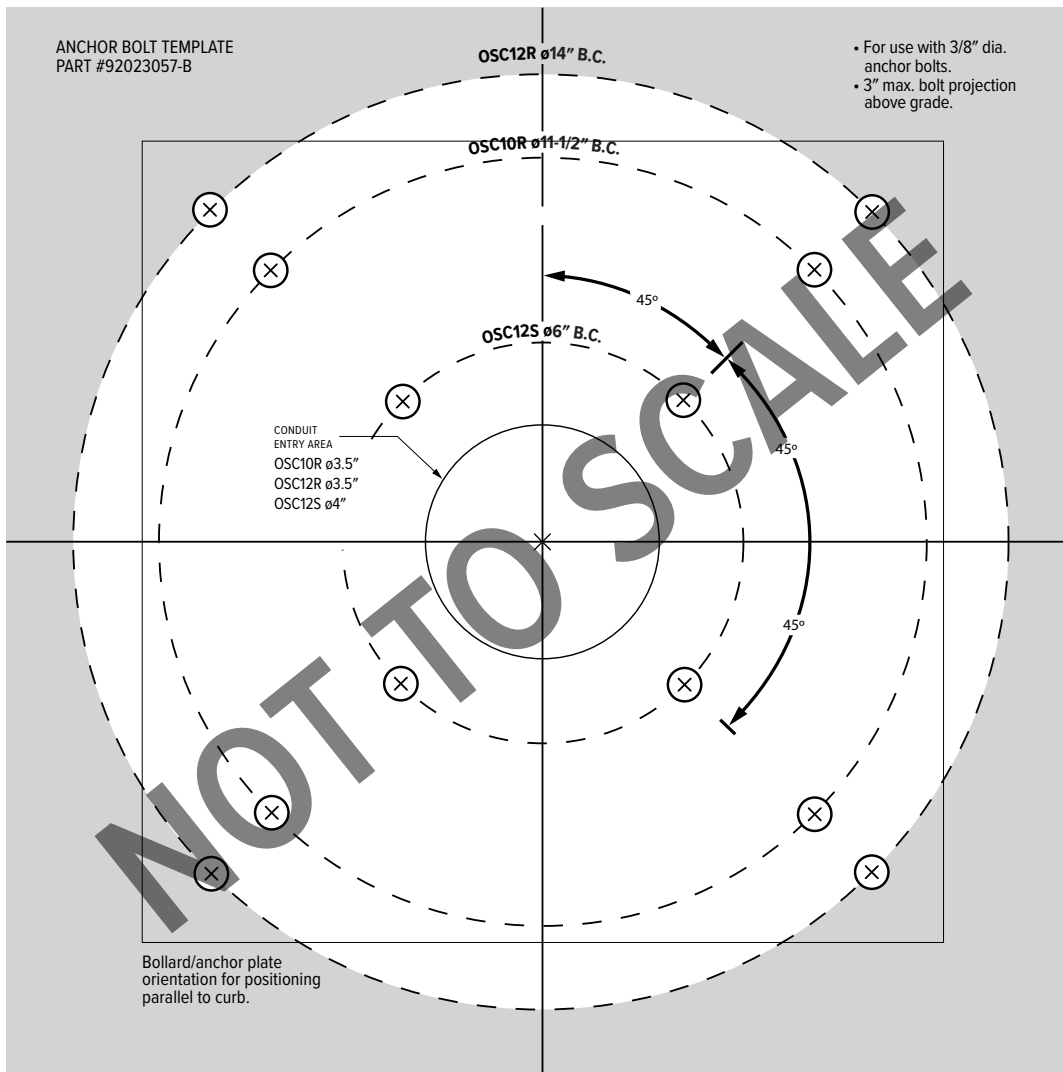
### WIRING DIAGRAM



# OSC BOLLARDS

## INSTALLATION INSTRUCTIONS

### MOUNTING TEMPLATE



**NOTE:** The sample template above is not to scale and is not intended for actual use on-site. Scaled template will be shipped with every bollard or anchor bolt order.