

Warning:

- Caution - Risk of Shock. This product must be installed in accordance with the applicable installation code by a person familiar with the construction and operation of the product and the hazards involved.
- Make sure all electrical power is turned off while installing the fixture.
- Warning Risk of Electrical Shock - Verify that supply voltage is correct by comparing it with the luminaire label information.
- This luminaire must be adequately grounded for protection against shock hazards and to assure proper operation.
- Disconnect power before servicing.
- Always use correct lamp type and wattages.

- Standard octagonal junction box is recommended for use with RNDP Series.
- Suspend from adequate structure that can safely support the fixture.

LED Products Only:

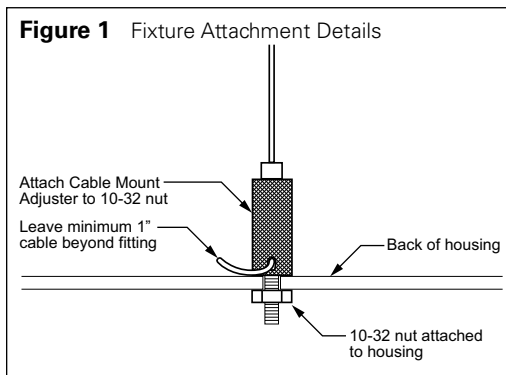
- LEDs are ESD (Electro Static Discharge) sensitive devices that can be easily damaged if the proper ESD mitigating steps are not taken.
- LEDs are very sensitive to mechanical damage. Caution must be taken to avoid damage to the LEDs.
- ESD or mechanical damage voids all warranties.
- Suitable for dry and damp locations.

ADJUSTABLE CABLE (AC) MOUNT:

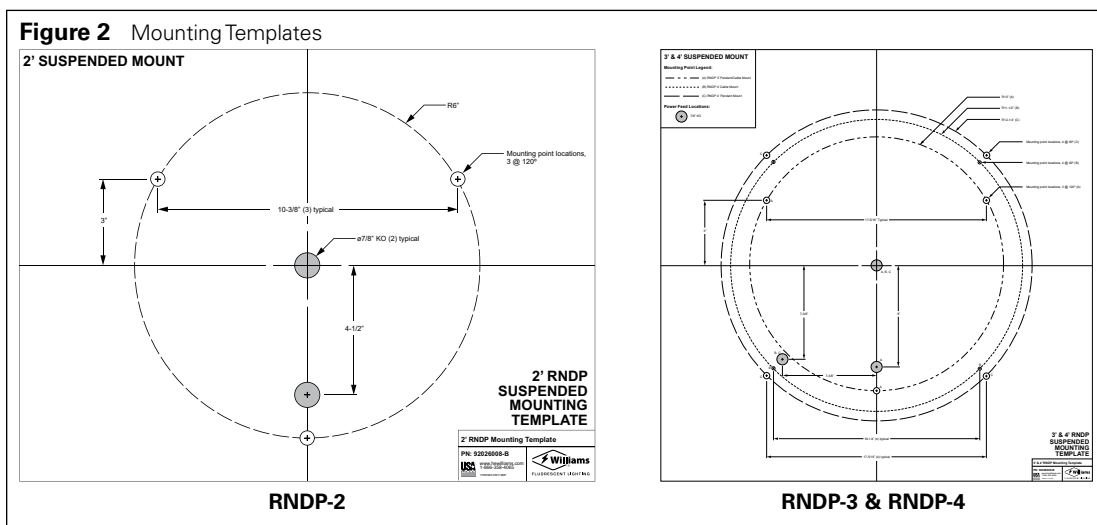
Mounting Hardware Included (Quantities determined by size of fixture):

- (3 or 4) T-bar hangers (GAT fasteners) with 1/4-20 stud for 1" T-bar
- (1) Cross-bar, zinc plated, with (1) 1/4-20 stud
- (1) 5" power feed canopy
- (2 or 3) 2" non-power feed canopies
- (3 or 4) adjustable cable sets

Step 1. For LED: Remove LED panel by turning twistlock fastener(s). Set aside. Be careful to observe all LED ESD warnings. Attach cable mount adjuster to 10-32 nut supplied in back of fixture housing, leaving 1" cable beyond fitting as indicated in Figure 1.



Step 2. Using full size template provided, transfer mounting points to ceiling. See example (not to scale), Figure 2.



Step 3. Install 1/4-20 studs in ceiling:

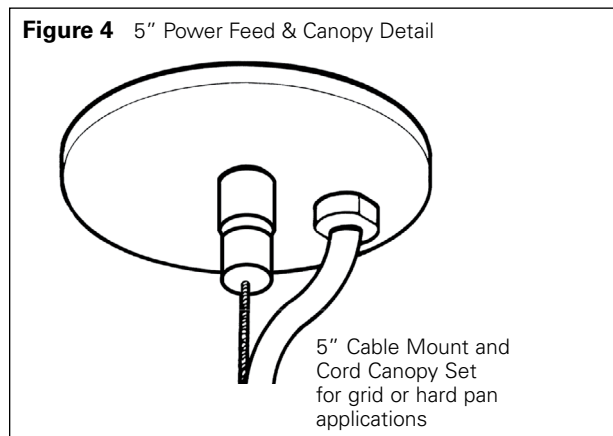
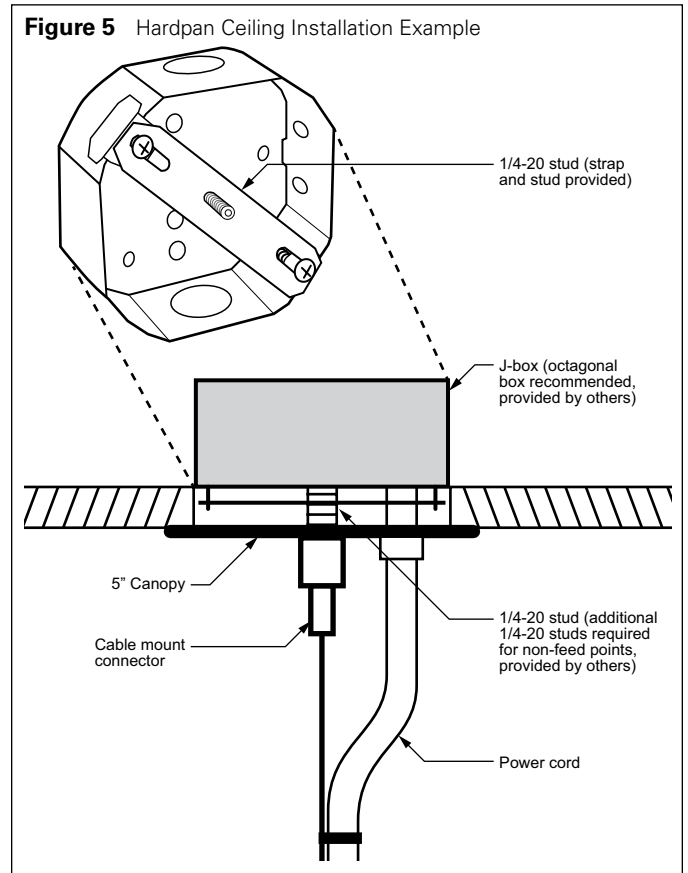
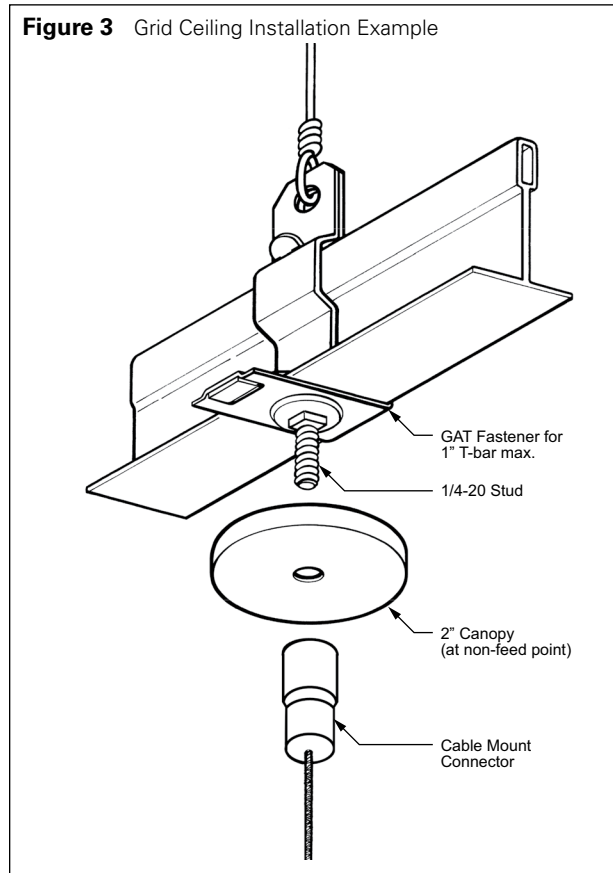
Grid Ceiling: assemble GAT fasteners and 1/4-20 studs (provided) and attach to T-bar. Support GAT fastener to structure using 12-gauge or stronger steel ceiling support wire (by others), see Figure 3.

or

Hardpan Ceiling: Install 1/4-20 stud (strap and stud provided) to junction box, and additional 1/4-20 studs (by others) at each mounting location, see figure 5.

Note: Stud must be placed exactly at each mounting point for correct installation and hanging of cables.

Step 4. Attach cable mount connector to ceiling via 1/4-20 stud supplied with GAT fastener (Figures 3 and 4) or to other 1/4-20 studs (provided by others) installed in the ceiling structure (Figure 5).

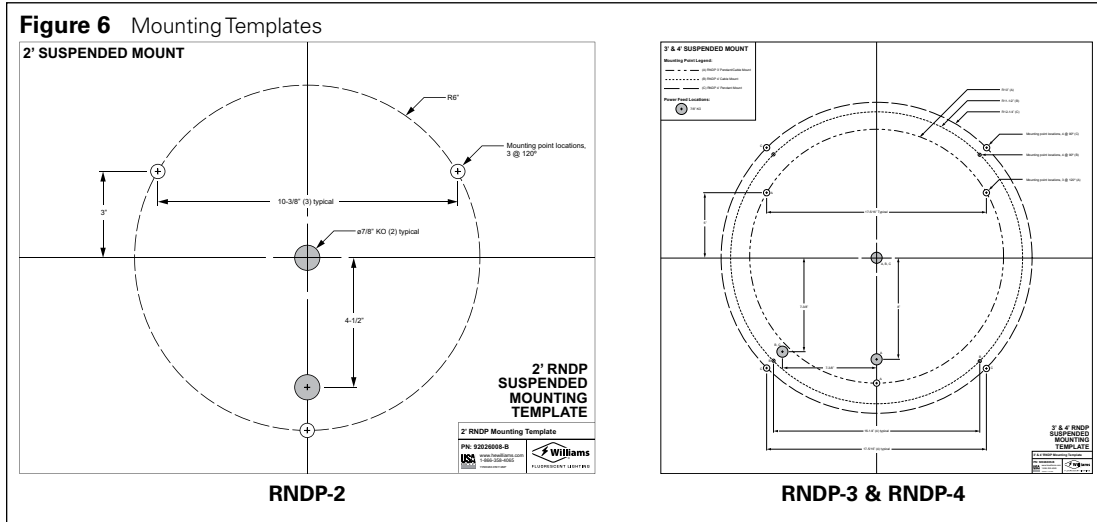


PENDANT (PM) MOUNT:

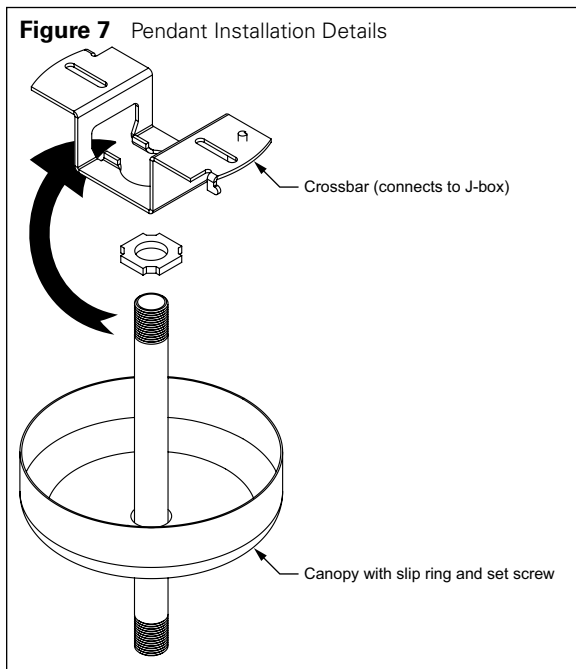
Mounting Hardware Included (Quantities determined by size of fixture):

- (3 or 4) 3/8" IP stems, length specified on order
- (3 or 4) Canopies with slip ring
- (3 or 4) Crossbars, zinc plated
- (9 or 12) 3/8" lock nuts
- (3 or 4) Washers

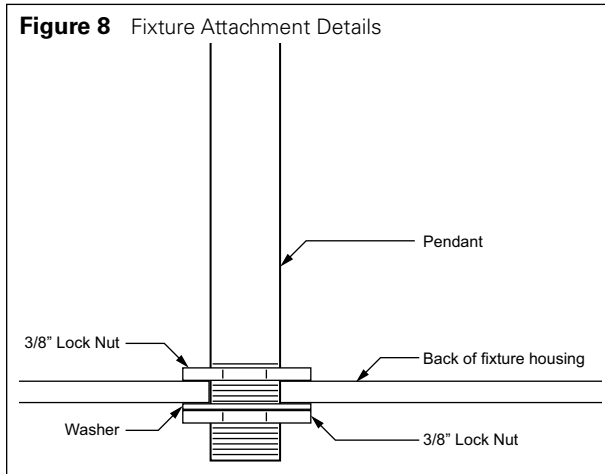
Step 1. Using full size template provided, transfer mounting points to ceiling. See example (not to scale), Figure 6.



Step 2. Install pendants by attaching crossbar to J-box, provided by others.



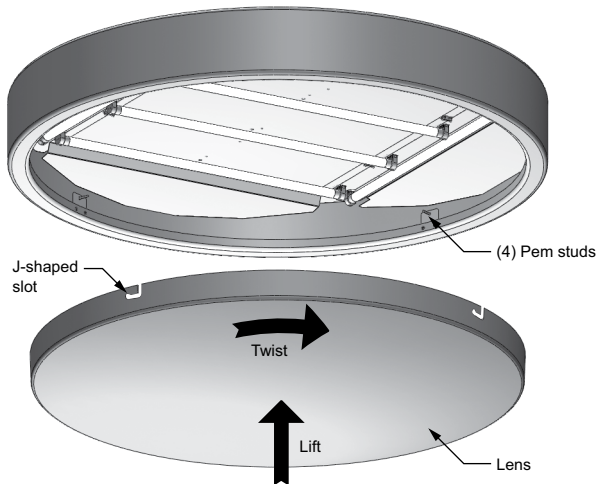
Step 3. Attach pendant to fixture by knocking out 3/4" KOs on back of housing. Insert pendants into KOs, securing with washer and 3/8" lock nut inside housing, and an additional 3/8" lock nut flush to outside of housing (Figure 8).



Lift-and-Twist Lens Installation

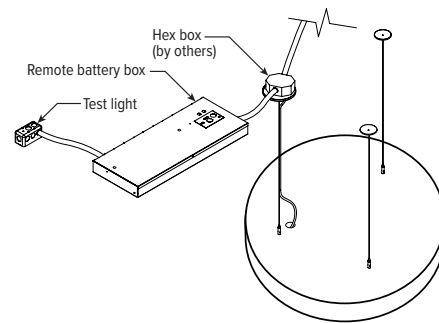
Reinstall LED panel. Align vertical portion of the "J-shaped" slots in lens to pem studs protruding from the perimeter of the interior ring in the fixture. Lift the lens up until the pem studs meet the bottom of the vertical slot and then twist clockwise so that the studs lock the lens into place.

T5 lamplamping shown



LED Emergency Drivers (Remote Mount)

- Step 1:** Install remote EM box per local codes and connect to 4" ceiling hex box.
- Step 2:** Connect incoming power.
- Step 3:** Connect EM unswitched power.
- Step 4:** Plug (2) red wires in remote EM box to charge battery.
- Step 5:** Connect wiring to cord from LEDs.
- Step 6:** Cross bar for hex box installed for cover, canopy, and hanging cable.



WIRING DIAGRAM

