

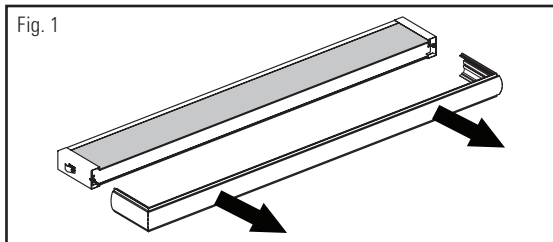
**Warning:**

- This product must be installed in accordance with the applicable installation code by a person familiar with the construction and operation of the product and the hazards involved.
- Make sure all electrical power is turned off while installing the fixture.
- This luminaire must be adequately grounded for protection against shock hazards and to assure proper operation.
- Disconnect power before servicing.

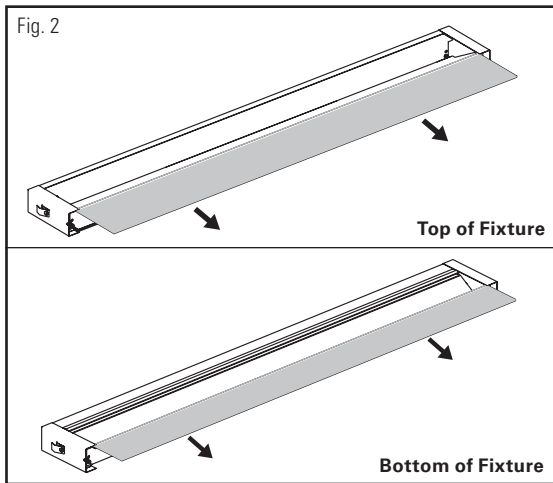
**Note: CB must be mounted to 4"x2" horizontal junction box. All other junction boxes will be exposed after installation.**

**Step 1:** Remove fixture from carton and inspect for damage.

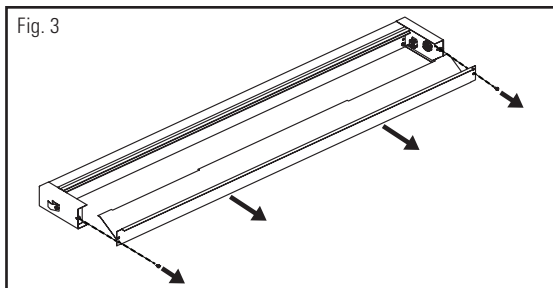
**Step 2:** Remove housing cover by pulling to release spring loaded latches (Fig 1).



**Step 3:** Slide to remove lenses from top and bottom of fixture (Fig. 2).

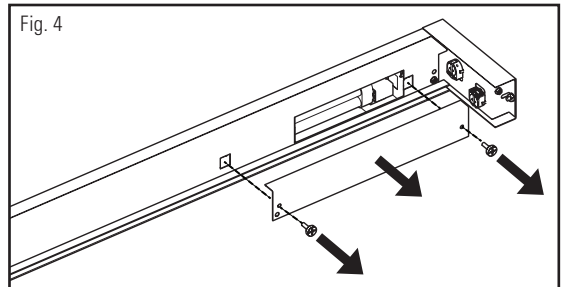


**Step 4:** Remove (2) screws from reflector. Slide reflector to remove (Fig. 3).

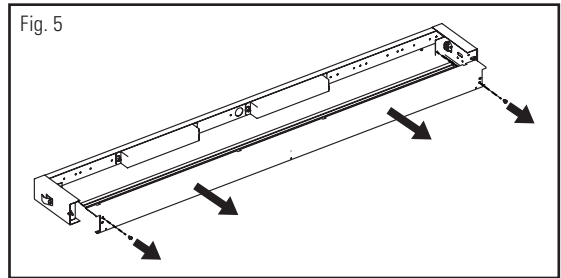


**Step 5: (For use with nightlight/chartlight option only.)**

Remove screws from nightlight access plate (Fig. 4). Remove access plate.

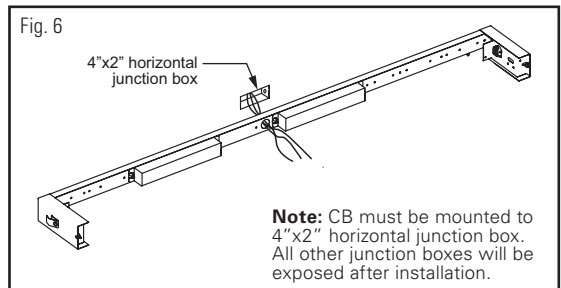


**Step 6:** Remove (2) screws from wireway cover (Fig. 5). Remove wireway cover.



**Step 7:** Feed power supply wires through  $\phi 7/8"$  hole in back channel (Fig. 6). Secure fixture to wall using holes provided (hardware by others). **Note:** hardware must be adequate to support the weight of the fixture.

NOMINAL LENGTH	WEIGHT (APPROX.)
2'	7 lbs.
3'	10.5 lbs.
4'	14 lbs.



**Step 8:** Make electrical connections.

**Step 9:** Re-install wireway cover, nightlight cover (if necessary), and reflector. Install lamps, lenses, and replace housing cover.

# CB FLUORESCENT SERIES INSTALLATION INSTRUCTIONS

## LINE VOLTAGE WIRING DESIGNATIONS

Low Voltage Relay Supply (unswitched line voltage supply)  
 Exam  
 Nurse Light  
 Ambient  
 Reading  
 Emergency (unswitched line volt supply)  
 Green - Ground  
 White - Common for all line voltage supply leads.

Line voltage supply wires for each appropriate lighting aperture. (These are power supply wires which are not being controlled through a low voltage controller inside the fixture and that require switching external to the fixture.)

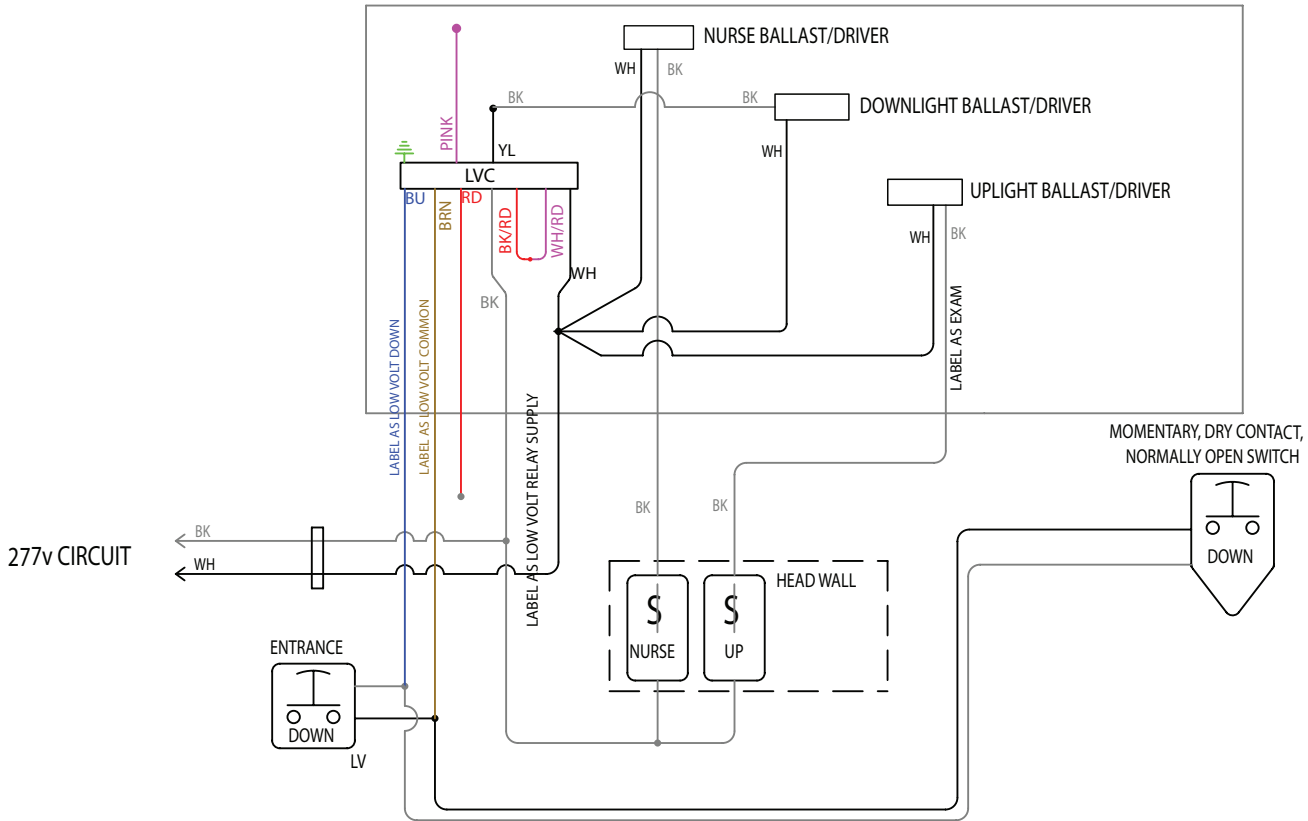
## LOW VOLTAGE DESIGNATIONS

Connect 'Low Voltage Commons' with each of the 'Low Voltage' wires as labeled below using a dry contact, normally open switch.

Low Voltage Common  
 Low Voltage Uplight  
 Low Voltage Downlight  
 Low Voltage Nurse

Fixture may not be equipped with all of these low voltage functions.

## TYPICAL CB DIAGRAM



### WIRING DIAGRAM DEPICTS:

1. REMOTE SWITCH FOR CONTROL OF DOWN LIGHTING
2. ENTRY (WALL) SWITCHING OF DOWN LIGHTING
3. LINE VOLTAGE HEAD WALL SWITCHING OF UP & NURSE LIGHTING

## LOW VOLTAGE RELAY NOMENCLATURE DESIGNATIONS

EXAMPLE: LVC2U/D		
Controller	Load 1	Load 2
LVC1 = 1-circuit	U = Up D = Down UD = Up and Down	
LVC2 = 2-circuit	U/ = Up	D = Down