

96 & 97 LED SERIES

INSTALLATION INSTRUCTIONS



WARNING:

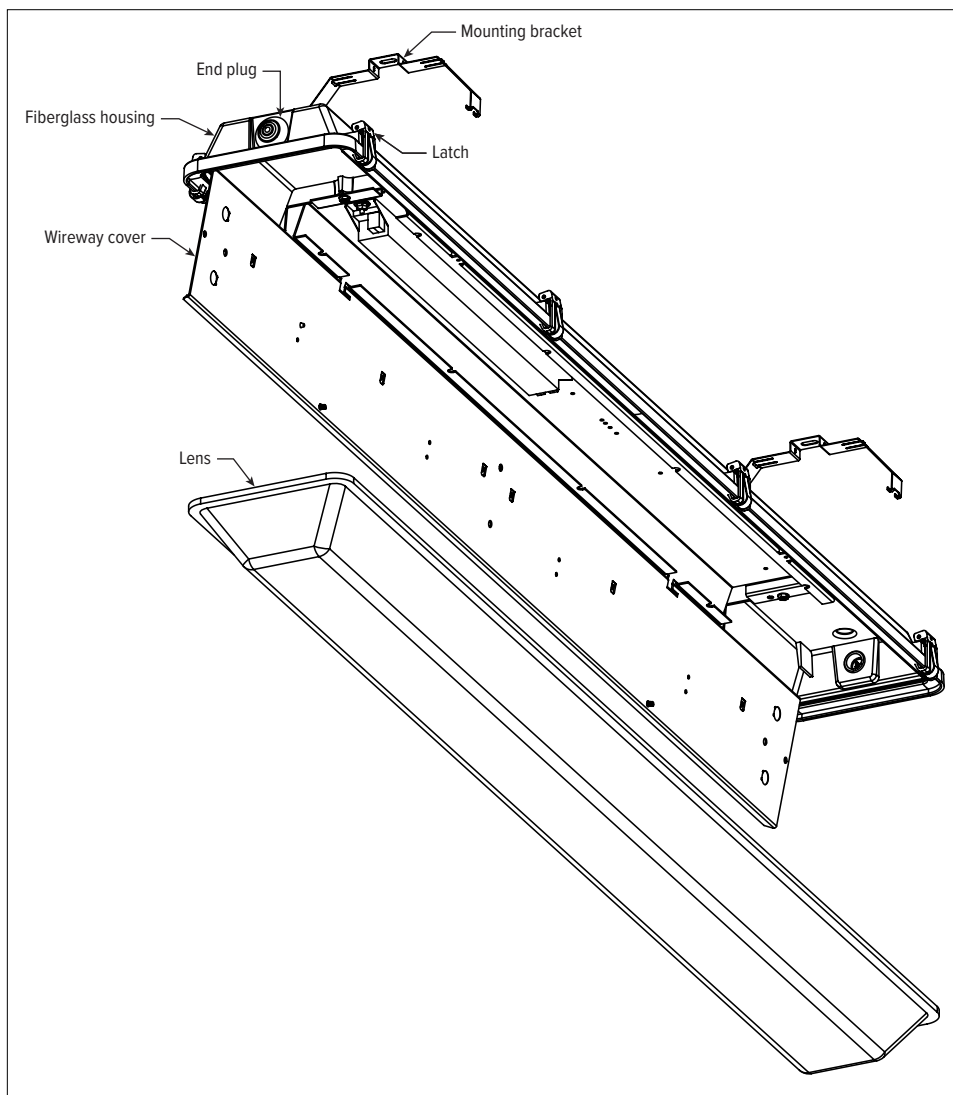
- This product must be installed in accordance with the applicable installation code by a person familiar with the construction and operation of the product and the hazards involved.
- Make sure all electrical power is turned off while installing the fixture.
- This luminaire must be adequately grounded for protection against shock hazards and to assure proper operation.
- Disconnect power before servicing.
- LEDs are ESD (Electro Static Discharge) sensitive devices that can be easily damaged if the proper ESD mitigating steps are not taken.
- LEDs are very sensitive to mechanical damage. Caution must be taken to avoid damage to the LEDs.
- ESD or mechanical damage voids all warranties.
- Suitable for wet locations.

TABLE OF CONTENTS

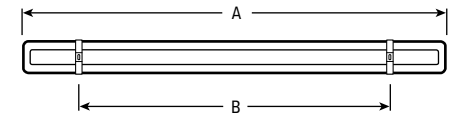
FIXTURE DETAIL.....	1	INSTALLATION.....	2
WIRING DIAGRAM.....	2		

FIXTURE DETAIL

NOTE: Use the illustrations below when assembling or disassembling the fixture. (96, 4' shown)



BACKVIEW

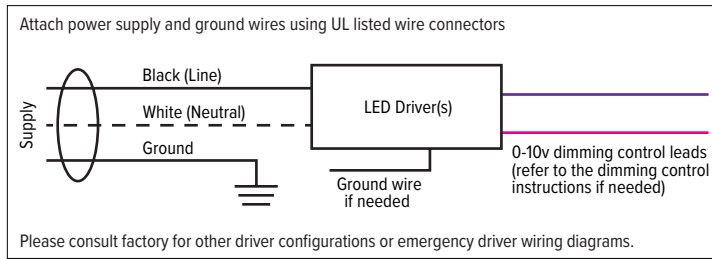


	OVERALL LENGTH (A)	MOUNTING DISTANCE (B)
2'	27-5/8"	12"- 17" OC
4'	51-7/8"	30"- 42" OC
8'	100-1/4"	48"- 80" OC

96 & 97 LED SERIES

INSTALLATION INSTRUCTIONS

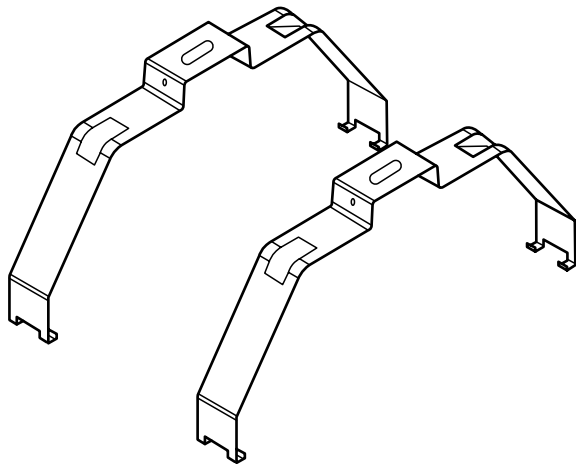
WIRING DIAGRAM



INSTALLATION

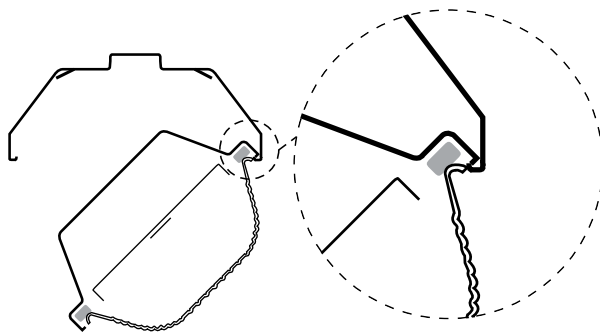
STEP 1: Securely attach mounting brackets (2) to mounting surface. The 96/97 enclosure will engage the mounting brackets at any point along its length, except for where there are latches. Required spacing between the brackets are as follows: 12" - 17" for 2' housings, 30" - 42" for 4' housings, and 48" - 80" for 8' housings.

FIG 1.1



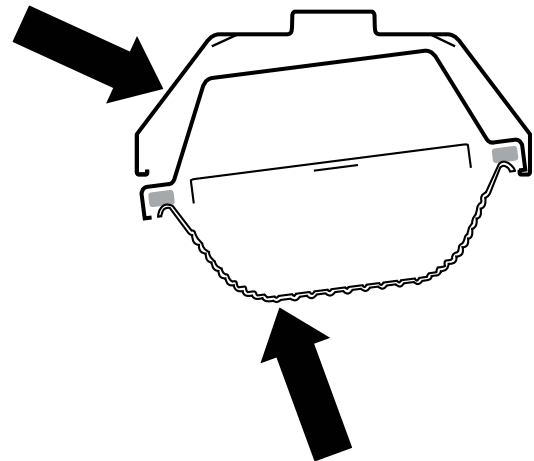
STEP 2: Insert one side of the 96/97 housing into the mounting brackets.

FIG 2.1



STEP 3: Push up on the enclosure and then press in on the mounting bracket until the mounting bracket clicks into place.

FIG 3.1



STEP 4: Verify that the enclosure is fully supported before connecting to a power supply.

FIG 4.1

