

WARNING:

- This product must be installed in accordance with the applicable installation code by a person familiar with the construction and operation of the product and the hazards involved.
- Make sure all electrical power is turned off while installing the fixture.
- This luminaire must be adequately grounded for protection against shock hazards and to assure proper operation.
- Always use correct lamp type and wattages.
- Disconnect power before servicing.
- LEDs are ESD (Electro Static Discharge) sensitive devices that can be easily damaged if the proper ESD mitigating steps are not taken.
- LEDs are very sensitive to mechanical damage. Caution must be taken to avoid damage to the LEDs.
- ESD or mechanical damage voids all warranties.
- Suitable for dry and damp locations.

TABLE OF CONTENTS

MOUNTING INSTALLATION.....	1	WIRING DIAGRAM.....	2
CONTINUOUS ROW INSTRUCTIONS.....	2		

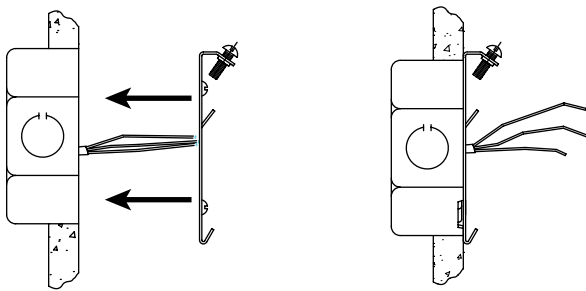
MOUNTING INSTALLATION

NOTE: The length of wall brackets supplied for each straight run of fixtures is 6". Space brackets accordingly through out fixture length.
 Number of brackets to be used per fixture:
 2' - 4': Use (2) mounting brackets
 6' - 10': Use (3) mounting brackets
 12'-16': Use (4) mounting brackets

STEP 1: Securely mount wall brackets (according to code) to wall.
 FIG 1.1

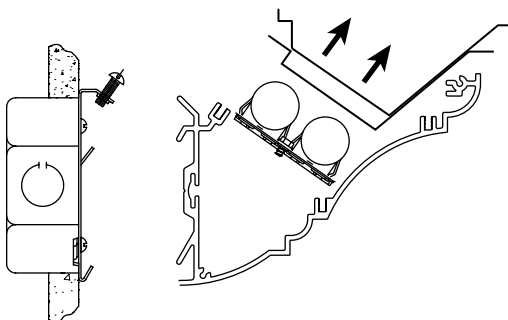
NOTE: Brackets must be level and plumb.

FIG 1.1



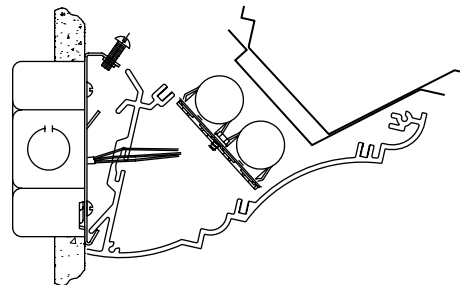
STEP 2: Remove screws from reflector, then pull reflector and wireway cover forward. FIG 2.1

FIG 2.1



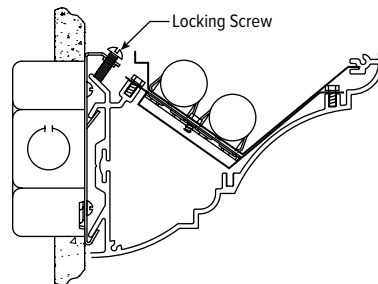
STEP 3: Feed power through $\varnothing 7/8"$ hole in the back of the fixture, then install the fixture on the wall bracket. FIG 3.1

FIG 3.1



STEP 4: Tighten screws on the top of the wall bracket to secure the fixture. Connect power feed. Reinstall reflector and wireway cover. FIG 4.1

FIG 4.1



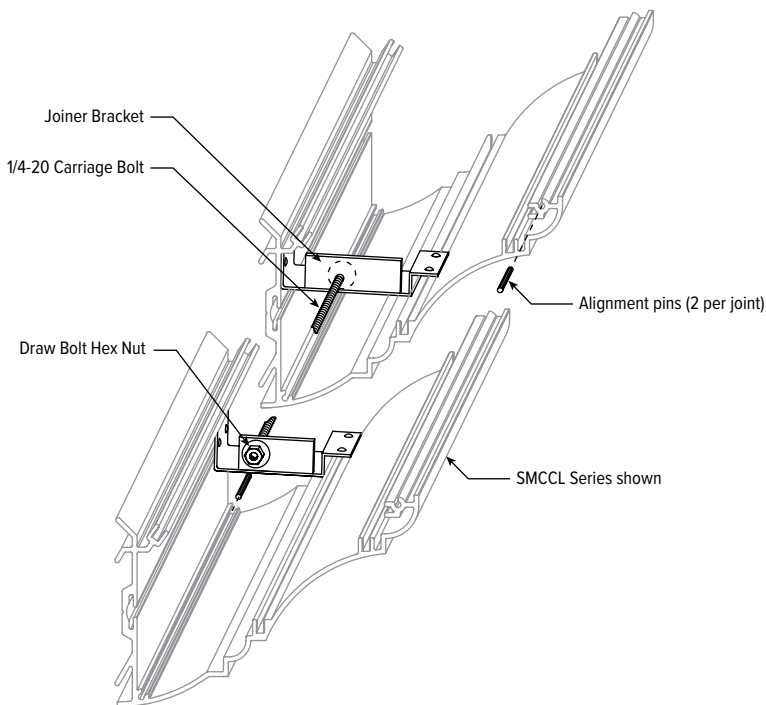
LPC SERIES

INSTALLATION INSTRUCTIONS

CONTINUOUS ROW INSTRUCTIONS

- STEP 1:** Slide alignment pins into screw boss completely.
- STEP 2:** Mount fixtures onto wall brackets. See "MOUNTING INSTALLATION" on page 1
- STEP 3:** Slide alignment pins back over seam between fixtures to engage screw boss in both fixtures.
- STEP 4:** Place carriage bolt through nut tabs in joiner brackets.
- STEP 5:** Turn carriage bolt nut onto carriage bolt and tighten to bring fixtures together.

FIG 5.1



WIRING DIAGRAM

