

NARROW STRIP LED

INSTALLATION INSTRUCTIONS



WARNING:

- This product must be installed in accordance with the applicable installation code by a person familiar with the construction and operation of the product and the hazards involved.
- Make sure all electrical power is turned off while installing the fixture.
- This luminaire must be adequately grounded for protection against shock hazards and to assure proper operation.
- Disconnect power before servicing.

- LEDs are ESD (Electro Static Discharge) sensitive devices that can be easily damaged if the proper ESD mitigating steps are not taken.
- LEDs are very sensitive to mechanical damage. Caution must be taken to avoid damage to the LEDs.
- ESD or mechanical damage voids all warranties.
- Suitable for dry locations only when specified with fieldseleCCT.

FOR USE WITHH:

- 75
- 75R
- 75S
- 75L

TABLE OF CONTENTS

A. GENERAL MOUNTING.....	1	E. fieldseleCCT® INSTALLATION.....	2
B. MOUNTING USING VBY HANGER.....	1	F. 45AMB INSTALLATION.....	2
C. MOUNTING USING CEILING SPACER BRACKET.....	2	G. ROW ALIGNER RA-75 INSTALLATION.....	3
D. WIREGUARD INSTALLATION.....	2		

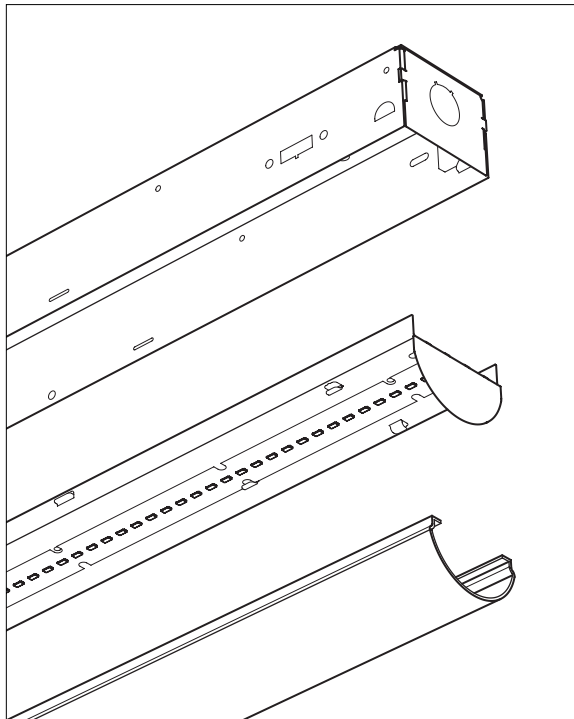
A. GENERAL MOUNTING

FOR USE WITH 75, 75R, 75S

STEP 1: Remove the acrylic lens (75R & 75S) and wireway cover from fixture:

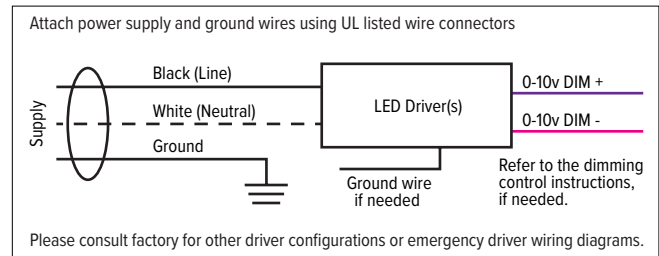
- Locate (4) tabs on the fixture wire-way cover (LED board plate).
- Pry between the wire-way cover and housing to disengage the tabs.
- Disconnect LED arrays (if required) to detach the wire-way cover.

FIG A.1.1



STEP 2: Use knockout locations embossed in the fixture housing to bring incoming power into the fixture. Make electrical connections in accordance with NEC and local codes. See FIG A.2.1

FIG A.2.1

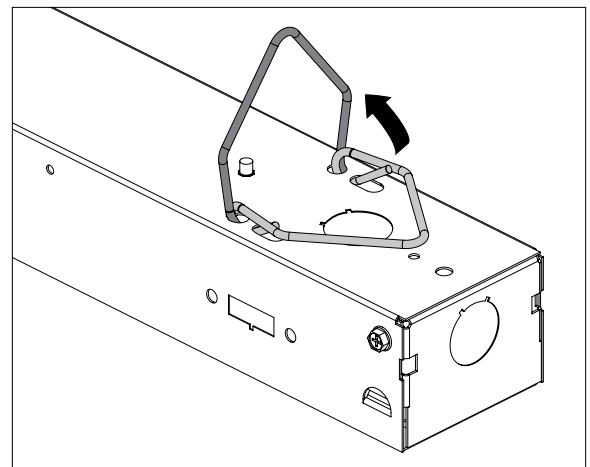


STEP 3: Reassemble the fixture by reversing the steps above. Secure fixture to ceiling using adequate hardware, by others.

B. MOUNTING USING VBY HANGER

With hanger in horizontal position spread to clear housing and insert into slots. Once in slots on both sides, rotate hanger to upright position. Attach VBY hanger to cable or chain (by others) adequately secured to ceiling structure. FIG B.3.1

FIG B.3.1



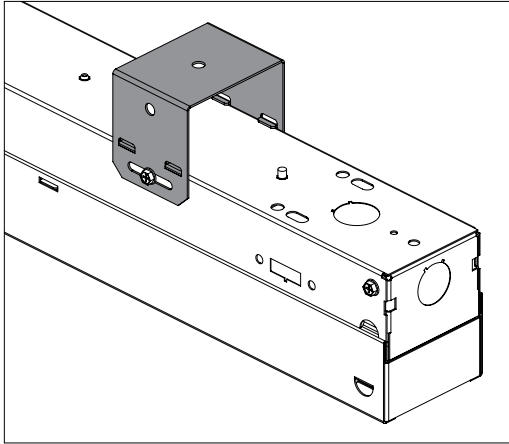
NARROW STRIP LED

INSTALLATION INSTRUCTIONS

C. MOUNTING USING CEILING SPACER BRACKET

Secure spacer to ceiling using adequate hardware (by others). Raise fixture into place and secure to ceiling spacers using #8 screws, provided. (FIG C.3.2, 75L shown)

FIG C.3.2



D. WIREGUARD INSTALLATION

Install wire guard on fixture housing with (4) clips and (4) #8 screws, provided. Note wireguard clip orientation for 75 & 75L. (FIG 1.3 & FIG 1.4)

FIG D.3.3 75 Shown

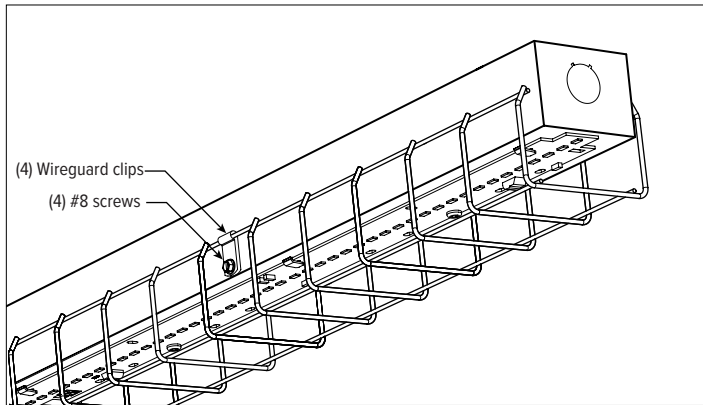
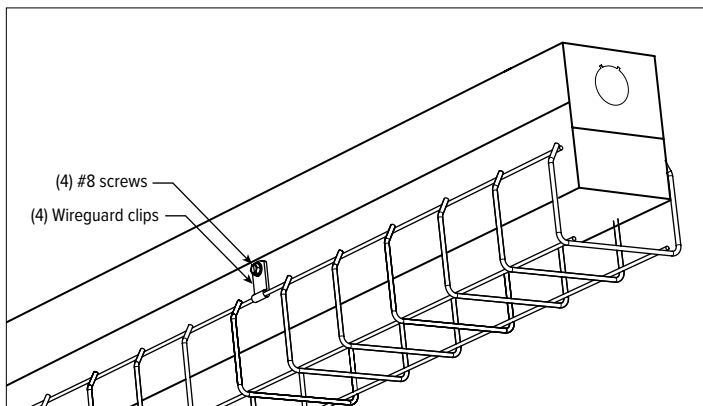


FIG D.3.4 75L Shown



E. fieldseleCCT® INSTALLATION

FOR USE WITH: 75, 75S, 75R fieldseleCCT SERIES

Set CCT selector switch prior to installing fixture.

CAUTION: De-energize before switching CCT. Failure to do so may damage the LEDs which will void the warranty.

FIG E.3.5



F. 45AMB INSTALLATION

Field-adjustable up and down in 7-1/2° increments.

FIG F.3.6 ANGLE ADJUSTMENT

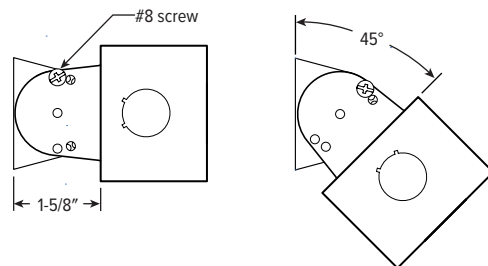
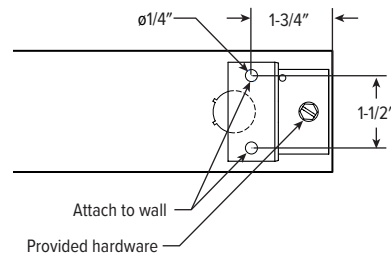


FIG F.3.7 BACKVIEW



STEP 1: Attach brackets to back of fixture in orientation shown with provided hardware. See FIG F.3.7.

STEP 2: Using attached brackets as a guide, mark holes and attach to wall. (Hardware by others). See FIG F.3.7.

STEP 3: Adjust fixture to desired angle and lock using provided #8 screws. See FIG F.3.6

STEP 4: Make electrical connections in accordance with NEC and local codes. See "FIG B.3.1" on page 1.

NARROW STRIP LED

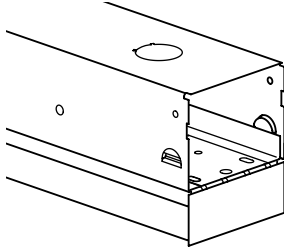
INSTALLATION INSTRUCTIONS

G. ROW ALIGNER RA-75 INSTALLATION

FOR USE WITH: 75, 75R, 75S & 75L

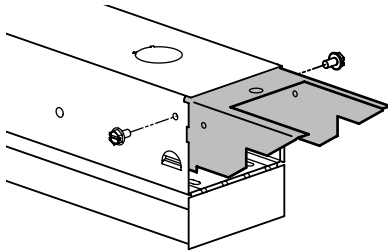
STEP 1: Remove fixture end plate.

FIG G.1.1



STEP 2: Insert RA-75 and secure with (2) screws

FIG G.2.1



STEP 3: Remove end plate from adjoining fixture and insert onto RA-75. See FIG G.3.1. Once fully seated, insert screw into adjoining fixture and into RA-75. See FIG G.3.2

FIG G.3.1

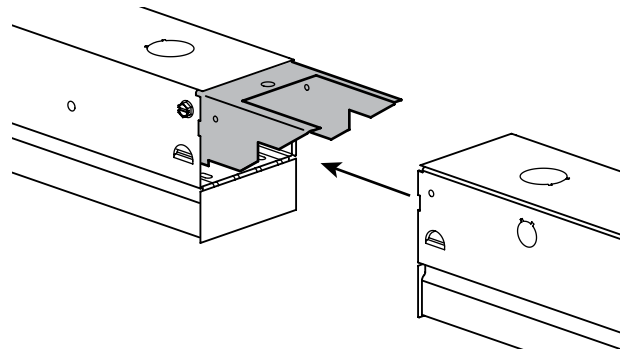


FIG G.3.2

