

MRI LED SERIES

DOWNLIGHT INSTALLATION INSTRUCTIONS



WARNING:

- This product must be installed in accordance with the applicable installation code by a person familiar with the construction and operation of the product and the hazards involved.
- Make sure all electrical power is turned off while installing the fixture.
- This luminaire must be adequately grounded for protection against shock hazards and to assure proper operation.

- Disconnect power before servicing.
- LEDs are ESD (Electro Static Discharge) sensitive devices that can be easily damaged if the proper ESD mitigating steps are not taken.
- LEDs are very sensitive to mechanical damage. Caution must be taken to avoid damage to the LEDs.
- ESD or mechanical damage voids all warranties.
- Suitable for dry and damp locations. Suitable for wet location under covered ceiling when specified with WET/CC option.

FOR USE WITH:

- M4PR ▪ M4PS ▪ M6PR ▪ M6PS

TABLE OF CONTENTS

MOUNTING PAN INSTALLATION.....	1	TRIM INSTALLATION.....	3
ELECTRICAL CONNECTIONS.....	2	REMOTE DRIVER ENCLOSURE INSTALLATION	4
ADJUST TRIM HOUSING.....	2		

MOUNTING PAN INSTALLATION

STEP 1: Pre-attach the specified mounting hardware to the fixture pan. See FIGURES 1.1 - 1.3.

NOTE: Ceiling thickness range is 1/2" to 1-1/2". Consult factory for additional thicknesses.

FIG. 1.1 FIM: 2-Position fixed pan bracket, universal bar hanger

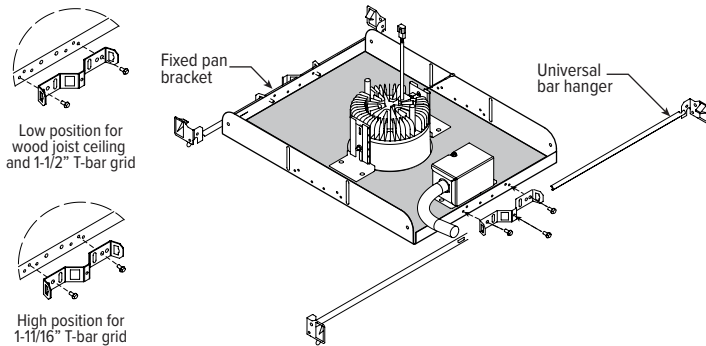


FIG. 1.2 BA1M: Adjustable butterfly pan bracket, butterfly bracket only

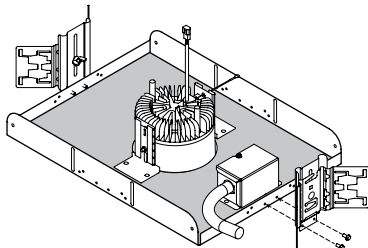
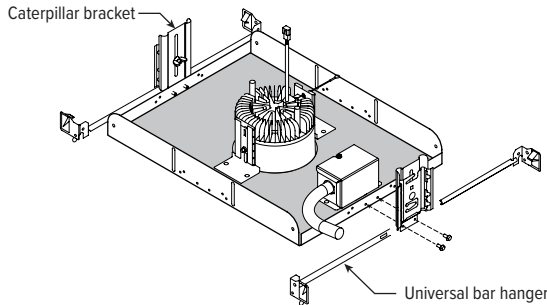


FIG. 1.3 CA1M: Adjustable caterpillar pan bracket, universal bar hanger



STEP 2: Install pan assembly as required for ceiling structure while aligning the pan aperture with the ceiling cutout.

STEP 3: Route the aluminum conduit containing all of the required power input to the pan location.

MRI LED SERIES

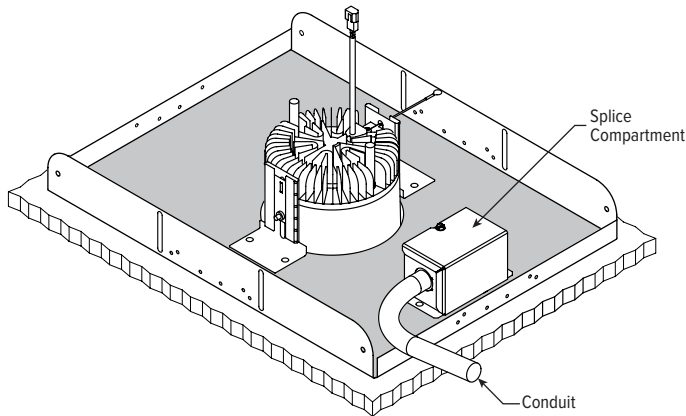
DOWNLIGHT INSTALLATION INSTRUCTIONS

ELECTRICAL CONNECTIONS

STEP 4: Connect junction box to conduit

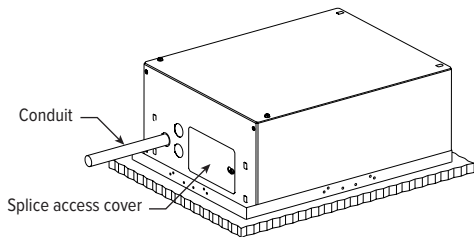
- A. Route the supply conduit to the splice compartment or IC housing knockout and connect to the knockout, see FIGURE 4.1

FIG. 4.1

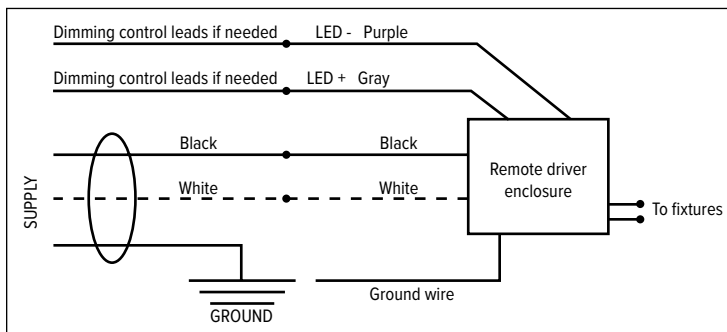


- B. Attach conduit to splice compartment and make splices. See FIGURE 4.2

FIG. 4.2



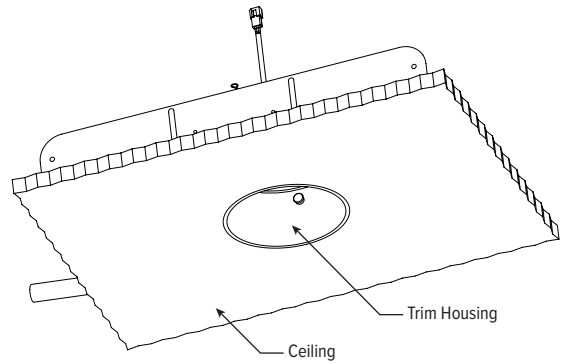
- C. Make all necessary lead terminations within the junction box. Attach power supply and ground wires using UL listed wire connectors. Disconnect accepts #12 - #16 AWG stranded or solid wire. Re-attach the access cover. Please consult factory for other driver configurations or emergency driver wiring diagrams.



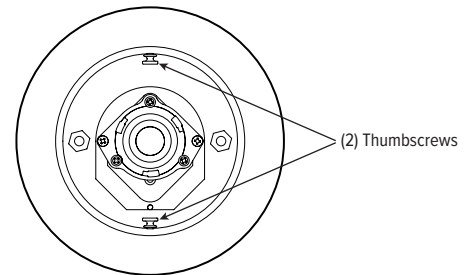
ADJUST TRIM HOUSING

STEP 5: Loosen thumbscrews (2) to adjust trim housing flush with ceiling plane. See FIGURE 5.1

FIG. 5.1



Downlight insert (bottom view)



MRI LED SERIES

DOWNLIGHT INSTALLATION INSTRUCTIONS

TRIM INSTALLATION

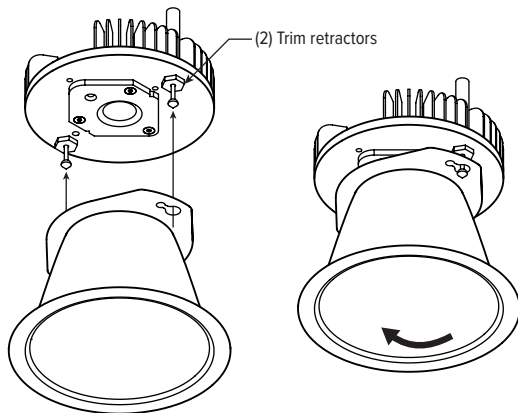
STEP 9: Install trim

TRIMLOCK™ INSTALLATION FOR ROUND REFLECTOR

- A. Align reflector with keyhole slots, then twist reflector See FIGURE 9.1

NOTE: The trim housing (see FIGURE 9.3) has alignment features that will guide the reflector

FIG. 9.1



- B. Pull reflector downward until audible click is heard, then release. See FIGURES 9.2 and 9.3

FIG. 9.2

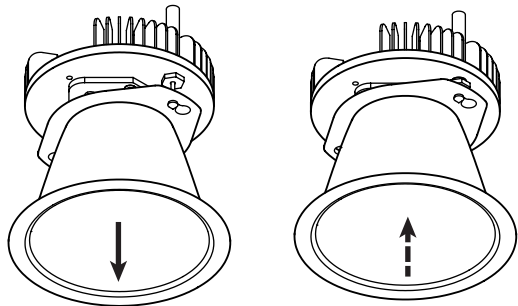
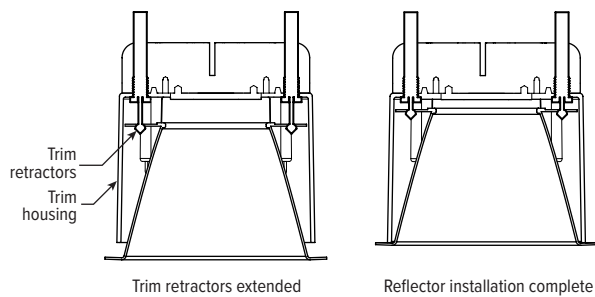


FIG. 9.3

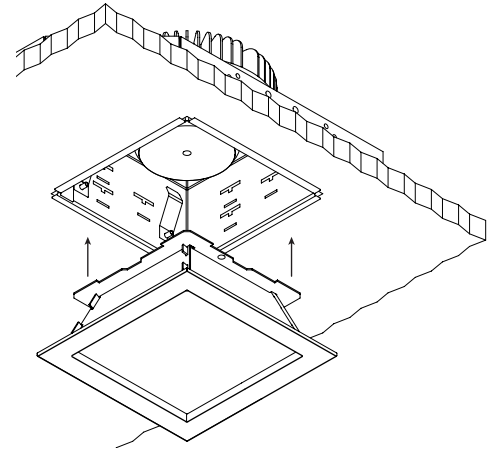


- C. For reflector removal, work the process in reverse

SQUARE REFLECTOR INSTALLATION See FIGURE 9.4

- A. Insert reflector assembly into fixture until flush with ceiling to engage retention springs

FIG. 9.4



MRI LED SERIES

DOWNLIGHT INSTALLATION INSTRUCTIONS

REMOTE DRIVER ENCLOSURE INSTALLATION

STEP 10: Loosen (2) screws and remove front access panel

STEP 11: Secure to vertical wall surface with appropriate fasteners through provided mounting holes in (4) corners. See FIGURES 11.1 - 11.3

FIG. 11.1 RDB2 Remote driver enclosure for 2 - 8 fixtures
RDB9 Remote driver enclosure for 9 - 12 fixtures, shown

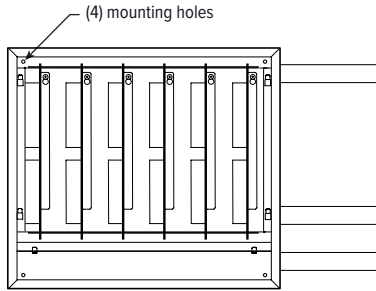


FIG. 11.2 RDB1 Remote driver enclosure for single fixture

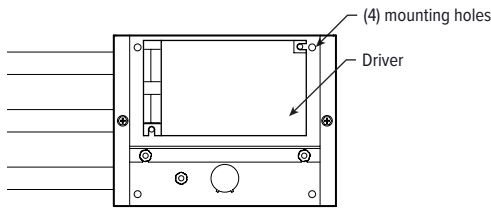
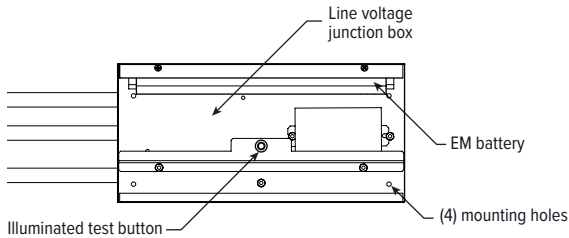


FIG. 11.3 RDB1 Remote driver enclosure for single fixture with EM/12W



STEP 12: Attach line voltage supply conduit and low voltage output to EMI filter wiring to knockouts using appropriate connectors and conduit as needed. See FIGURES 12.1 - 12.3

FIG. 12.1 RDB2 Remote driver enclosure for 2 - 8 fixtures
RDB9 Remote driver enclosure for 9 - 12 fixtures, shown

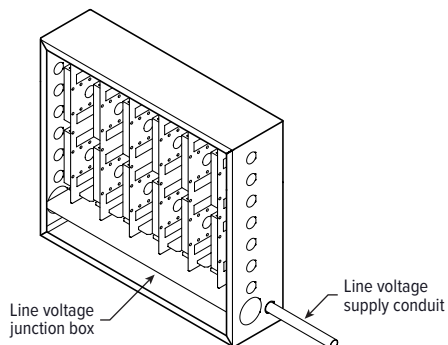


FIG. 12.2 RDB1 Remote driver enclosure for single fixture

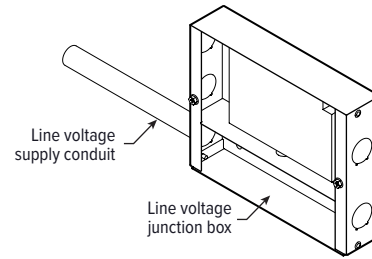
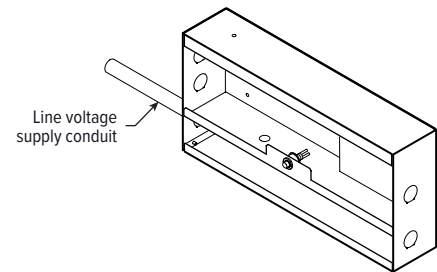
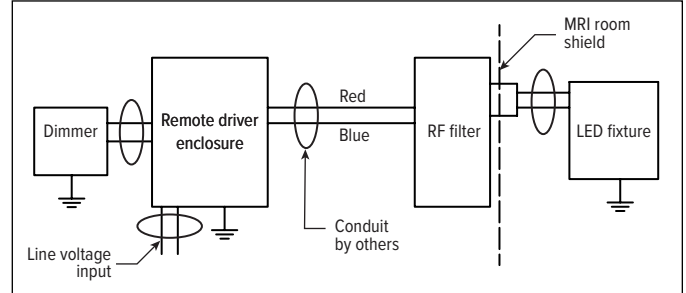


FIG. 12.3 RDB1 Remote driver enclosure for single fixture with EM/12W



STEP 13: Connect each red and blue pair to each fixture that is fed from the driver box. Aluminum electrical conduit by others.



STEP 14: Replace front access panel and secure.