

# MX2RG/MX2RSG LED SERIES

## INSTALLATION INSTRUCTIONS



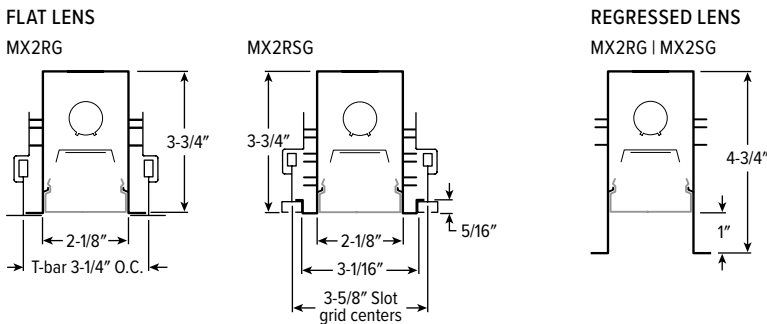
### WARNING:

- This product must be installed in accordance with the applicable installation code by a person familiar with the construction and operation of the product and the hazards involved.
- Make sure all electrical power is turned off while installing the fixture.
- This luminaire must be adequately grounded for protection against shock hazards and to assure proper operation.
- Disconnect power before servicing.
- LEDs are ESD (Electro Static Discharge) sensitive devices that can be easily damaged if the proper ESD mitigating steps are not taken.
- LEDs are very sensitive to mechanical damage. Caution must be taken to avoid damage to the LEDs.
- ESD or mechanical damage voids all warranties.
- Suitable for dry and damp locations. Suitable for wet location under covered ceiling when specified with WET/CC option.

### TABLE OF CONTENTS

CROSS SECTIONS .....	1	FIXTURE MOUNTING .....	2
FIXTURE PREPARATION .....	1		

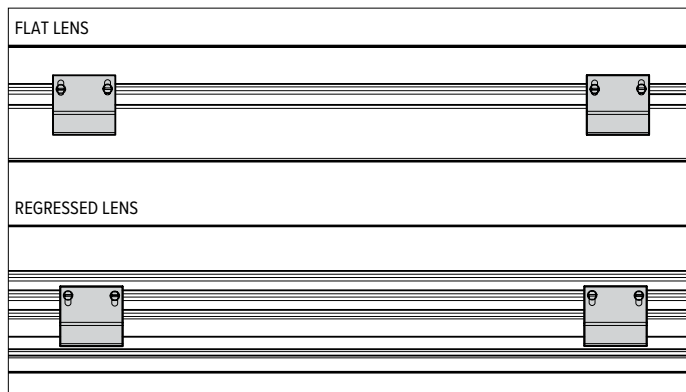
### CROSS SECTIONS



### FIXTURE PREPARATION

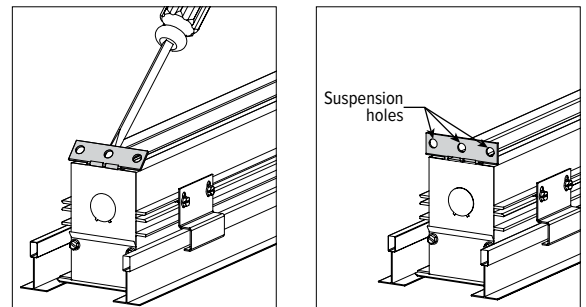
**STEP 1:** Install earthquake clips with #8 x 3/8" screws provided. Two (2) clips per side of housing. **DO NOT TIGHTEN SCREWS.** Leave loose until fixture is installed in grid ceiling.

FIG 1.1



**STEP 2:** Use a flat blade screwdriver to pry hanger brackets upward 90° to reveal the suspension holes for wire tie installation.

FIG 2.1



# MX2RG/MX2RSG LED SERIES

## INSTALLATION INSTRUCTIONS

### FIXTURE MOUNTING

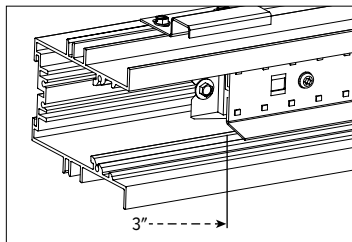
**STEP 3:** Install the first fixture (stand-alone fixture or feeder fixture) in row mount application.

- A. Raise the fixture into position and secure using the suspension holes for wire ties. See FIG 2.1
- B. Hand tighten earthquake clips to T-grid.  
**DO NOT OVERTIGHTEN**

**STEP 4:** Align and join fixtures.

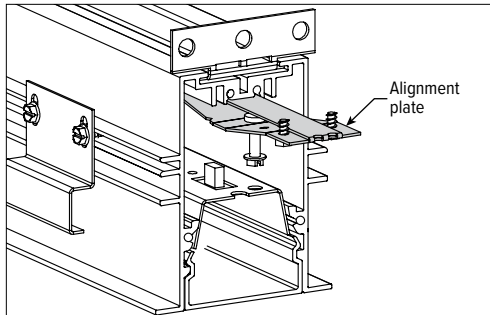
- A. Remove lens and slide inner LED cartridge 3" to reveal row intersection.

FIG 4.1



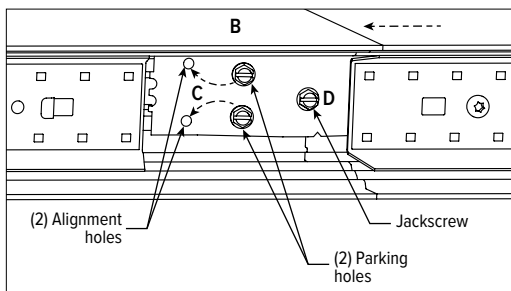
- B. Slide fixtures together, engaging row aligners into joining fixture.

FIG 4.2



- C. Remove (2) screws from parking holes and place in alignment holes to secure the row aligner to the newly placed fixture.

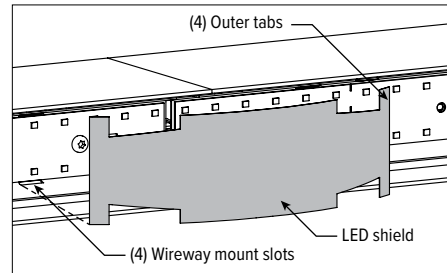
FIG 4.3



- D. Using center located jackscrew, draw the 2 fixtures tightly together. **Do not over tighten.**
- E. Hand tighten EQ clips to the fixture/grid. Do not over tighten.
- F. Make electrical connections between fixtures with quick connect wiring harness then slide inner LED cartridge back into place.

**STEP 5:** To prevent light leak, bend LED shield and install by snapping (4) outer tabs into (4) wireway mount slots at all fixture intersections.

FIG 5.1



**STEP 6:** Repeat STEPS 4 – 5 for each additional fixture in row.

**NOTE:** Final (End) fixture in row will not have cartridge installed, to allow alignment plate installation. Plug cartridge in and snap in place.

**STEP 7:** Reinstall lenses.

**STEP 8:** Make electrical connections in accordance with NEC and local codes.

