



WARNING:

- Risk of electric shock- never connect to, disconnect from, or service while equipment is energized.
- Failure to follow these instructions and warnings may result in death, serious injury or significant property damage - For your protection, read and follow these warnings and instructions carefully before installing or maintaining this equipment. These instructions do not attempt to cover all installation and maintenance situations
- This product must be installed in accordance with the applicable installation code by a person familiar with the construction and operation of the product and the hazards involved.
- Make sure all electrical power is turned off while installing the fixture.
- Disconnect AC power and unplug battery before servicing.
- Consult your local building code for approved wiring and installation.
- UL listed for wet locations (-20°C-50°C)
- Do not let power supply cord touch hot surfaces.
- Do not mount near gas or electric heater.
- Equipment should be mounted in locations and at heights where it will not readily be subjected to tampering by unauthorized personnel.
- The use of accessory equipment not recommended by the manufacturer may cause an unsafe condition.
- Do not use this equipment for other than intended use.
- The AC voltage rating of this equipment is specified on the product label. Do not connect equipment to any other voltage.
- **SAVE THESE INSTRUCTIONS AND DELIVER TO OWNER AFTER INSTALLATION**

TABLE OF CONTENTS

WALL MOUNT INSTALLATION.....	1	MAINTENANCE.....	2
CEILING OR END MOUNT INSTALLATION.....	2	TESTING.....	2
CONDUIT ENTRY INSTALLATION.....	2	WIRING DIAGRAMS.....	3
OPERATION.....	2	INSTALLATION DETAILS.....	4

WALL MOUNT INSTALLATION

SEE PAGE 4 FOR INSTALLATION DETAILS.

STEP 1: Prepare fixture for installation.

- A. Use flat head screwdriver to loosen the screws on the lenses.
- B. Remove lens from sign, set aside.
- C. Remove exit stencil from fixture frame, set aside.

STEP 2: Prepare fixture for mounting.

- A. Drill or knock out appropriate knockouts on back plate to fit junction box mounting points.
- B. Drill or knock out holes in back plate for fixture supply wire leads.
- C. Remove backing from self-adhesive junction box gasket and adhere to back plate.

STEP 3: Make wiring connections.

- A. Route fixture input wires through center hole of the back plate and make wiring connection.
- B. For 120V, use black and white wires and for 277V, use red and white wires.

Properly insulate the unused lead with a wire nut (provided) or other approved means.

STEP 4: Secure back plate to junction box (hardware by others).

STEP 5: Optional: remove directional indicators from the face plate.

- A. For easier access, remove the color diffuser panel as needed.
- B. Reinstall the diffuser panel once the directional indicators have been removed.

STEP 6: Connect battery to lamp board (See page 3 for WIRING DIAGRAMS.)

STEP 7: Finalize fixture preparation.

- A. Secure face plate and back plate to the fixture frame.
- B. Secure lens to fixture and securely torque screws.

STEP 8: Apply continuous AC power. Test unit by holding the magnet (provided) near the LED indicator (where it's marked as "Magnetic Test Switch").

Magnet needs to be retained by building owner (or maintenance personnel) to perform monthly/annual inspections.

EXIT/EM/W

INSTALLATION INSTRUCTIONS

CEILING OR END MOUNT INSTALLATION

SEE PAGE 4 FOR INSTALLATION DETAILS.

STEP 1: Prepare fixture for installation

- A. Use flat head screwdriver to loosen the screws on the lenses.
- B. Remove lens, from sign, set aside.
- C. Remove exit stencil from fixture frame, set aside.

STEP 2: Drill $\frac{3}{4}$ " holes through the desired mounting knock outs located on the fixture frame. For ceiling mount, knock outs will be located on the top of the fixture frame. For wall mount, knock outs will be located on the side of the fixture frame.

STEP 3: Using provided hardware, thread nuts onto pipe nipples. Slide pipe nipples through canopy holes.

STEP 4: Remove backing from self adhesive junction box gasket and adhere to back of mounting plate. Remove backing from self adhesive pipe thread gasket and adhere to front of mounting canopy.

STEP 5: Place screws (provided) in holes on the mounting canopy.

STEP 6: Make wiring connections.

- A. Route fixture input wires through knockout in fixture frame, pipe nut and metal mounting plate.
- B. Make wiring connection. For 120V, use black and white wires and for 277V, use red and white wires. Properly insulate the unused lead with a wire nut (provided) or other approved means.

C. Push wire connections into the j-box. Secure mounting plate to junction box (hardware not included).

STEP 7: Secure canopy. See Step 5.

- A. Place pipe nipple through the mounting hole of the fixture frame until the gasket is touching the frame.
- B. Thread a second nut onto the pipe nipple on the inside of the fixture frame to lock the canopy into place.

Once canopy is locked into position there will not be any side-to-side movement of the canopy.

STEP 8: Optional: remove directional indicators from the face plate.

- A. For easier access, remove the color diffuser panel as needed.
- B. Reinstall the diffuser panel once the directional indicators have been removed.

STEP 9: Connect battery to lamp board (see wiring diagrams on next page).

STEP 10: Finalize fixture preparation.

- A. Secure face plate(s) to the fixture frame.
- B. Secure lens to fixture and securely torque screws.

STEP 11: Apply continuous AC power. Test unit by holding the magnet (provided) near the LED indicator (where it's marked as "Magnetic Test Switch").

Magnet needs to be retained by building owner (or maintenance personnel) to perform monthly/annual inspections.

CONDUIT ENTRY INSTALLATION

USE FLEXIBLE CONDUIT ONLY.

STEP 1: Drill a $\frac{3}{4}$ " hole through the desired conduit entry knock out located on the top or side of the frame of the fixture.

STEP 2: Route the AC input conduit into housing.

STEP 3: All conduit connections must use UL LISTED and SUITABLE FOR WET LOCATION parts.

STEP 4: To finish installation of fixture, reference Wall, Ceiling or End Mount instructions.

OPERATION

STEP 1: Apply AC power to the unit. The LED indicator will be GREEN.

STEP 2: After the battery has been left to charge for 2 hours, test the unit using the magnetic test switch. The LED indicator turns OFF, the LED board stays ON and the lampheads should turn ON at this time.

STEP 3: When the magnet is removed, the LED indicator turns back to GREEN, the LED board stays ON and the lampheads should turn OFF at this time.

MAINTENANCE

Caution: Always turn off AC power to the equipment before servicing. Servicing should be performed only by a qualified service technician. Use only manufacturer supplied replacement parts.

BATTERY: The battery supplied requires no maintenance. However, it should be tested periodically and replaced when it no longer operates the connected sign for the duration of a 30-second or 90-minute test. The battery supplied in this sign has a life expectancy of 5 years when used in a normal ambient temperature of 72°F.

TESTING

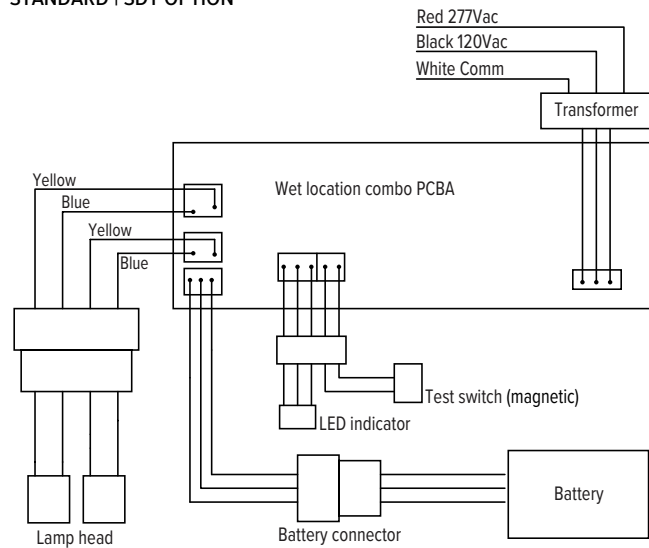
NFPA 101 (Life Safety Code) requires that all emergency lighting equipment be functionally tested every 30 days for a minimum of 30 seconds and tested annually for a full 90-minute duration. Written records of the testing are to be kept for examination by the authority having jurisdiction.

EXIT/EM/W

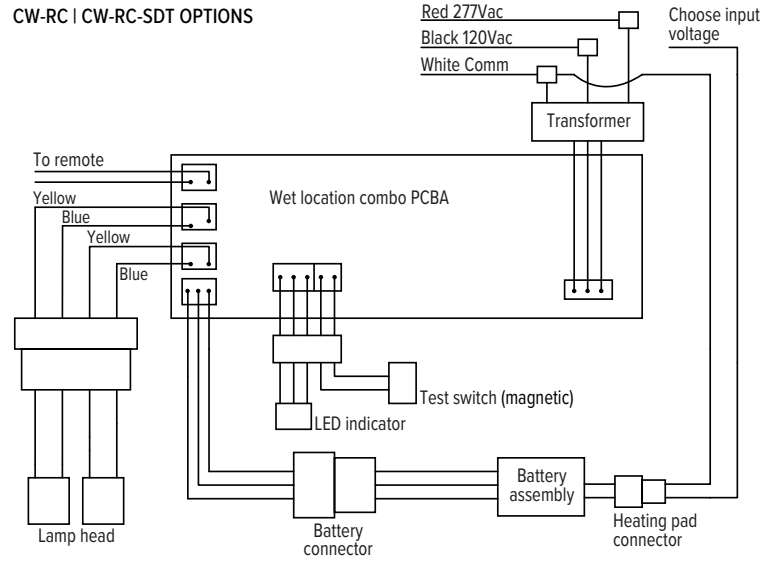
INSTALLATION INSTRUCTIONS

WIRING DIAGRAMS

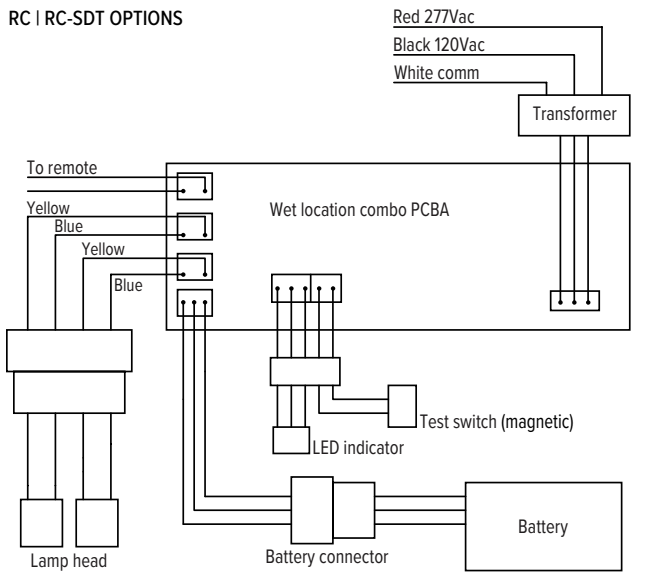
STANDARD | SDT OPTION



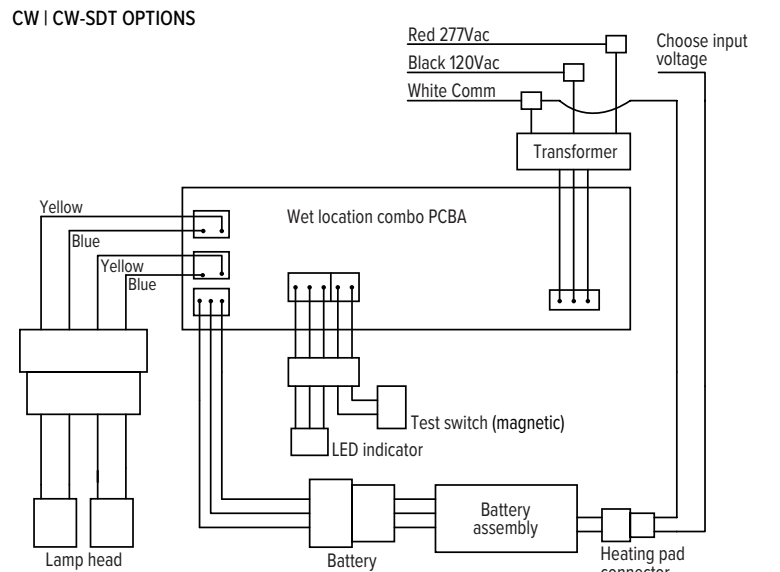
CW-RC | CW-RC-SDT OPTIONS



RC | RC-SDT OPTIONS



CW | CW-SDT OPTIONS



EXIT/EM/W

INSTALLATION INSTRUCTIONS

INSTALLATION DETAILS

