

# LRXG SERIES

## INSTALLATION INSTRUCTIONS



### WARNING:

- This product must be installed in accordance with the applicable installation code by a person familiar with the construction and operation of the product and the hazards involved.
- Make sure all electrical power is turned off while installing the fixture.
- This luminaire must be adequately grounded for protection against shock hazards and to assure proper operation.
- Disconnect power before servicing.
- LEDs are ESD (Electro Static Discharge) sensitive devices that can be easily damaged if the proper ESD mitigating steps are not taken.
- LEDs are very sensitive to mechanical damage. Caution must be taken to avoid damage to the LEDs.
- ESD or mechanical damage voids all warranties.
- Suitable for dry or damp locations.

### FOR USE WITH:

- LRX3G
- LRX4G
- LRX5G

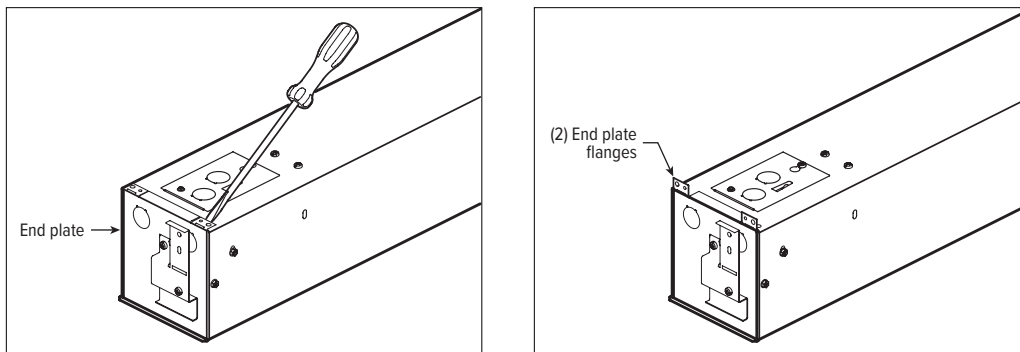
### TABLE OF CONTENTS

FIXTURE PREPARATION.....	1	FIXTURE MOUNTING.....	2
--------------------------	---	-----------------------	---

### FIXTURE PREPARATION

STEP 1: Use a flat blade screwdriver to pry end plate flanges upward 90°. Use holes on these flanges for wire tie installation.

FIG 1.1



STEP 2: Remove lenses from fixture(s)

# LRXG SERIES

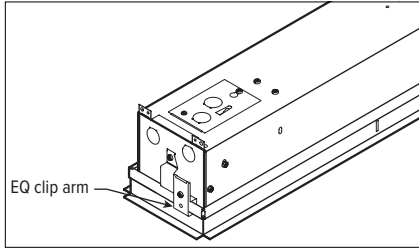
## INSTALLATION INSTRUCTIONS

### FIXTURE MOUNTING

**STEP 3:** Install the first fixture (stand-alone fixture or feeder fixture) in row mount application.

- A. Raise the fixture into position and secure using end plate suspension holes for wire ties.
- B. Remove extra screw from EQ Clip. Bend EQ Clip arm down and fasten to body with screw. **DO NOT OVERTIGHTEN.**

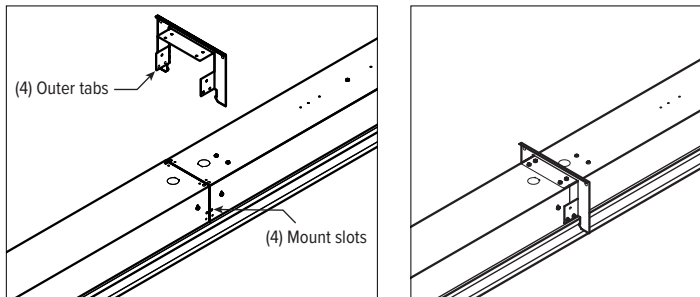
FIG 3.1



**STEP 4:** Install next fixture in row mount application (joiner fixture or ender fixture).

- A. Make electrical connections between fixtures with quick connect wiring harness and then slide fixtures together. Install joiner bracket at fixture intersection and secure with provided screws.

FIG 4.1

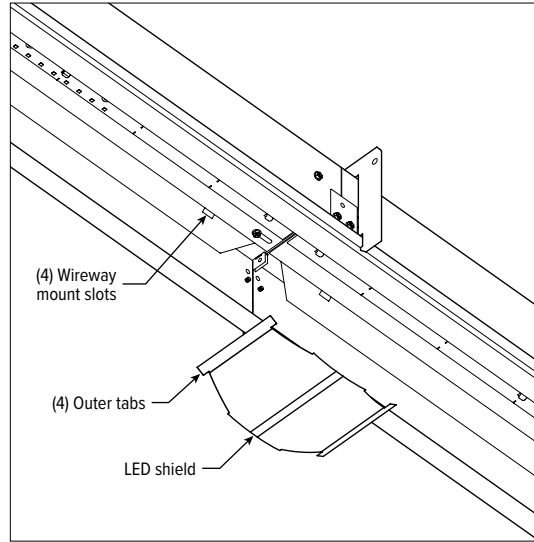


**STEP 5:** For fixtures 5' and greater in length, install joiner bracket in center of fixture. Holes on bracket can be used for additional wire tie installation if needed.

**STEP 6:** Repeat Step 4 and Step 5 for each additional fixture in row. Repeat earthquake clip fastening process on ender fixture.

**STEP 7:** To prevent light leak, install LED shield at fixture intersection(s) by snapping (4) outer tabs into (4) wireway cover mount slots at all fixture intersections.

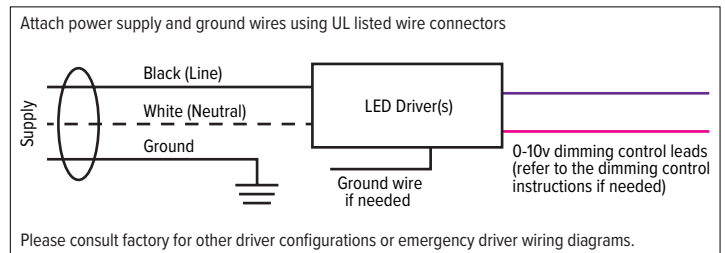
FIG 7.1



**STEP 8:** Reinstall lenses.

**STEP 9:** Remove access plate on the back of the stand-alone or feeder fixture. Remove driver supply wires and make electrical connections in accordance with local codes (ground screw provided on access plate).

FIG 9.1



**STEP 10:** Re-install access plate.