

## INSTALLATION INSTRUCTIONS

### WARNING:

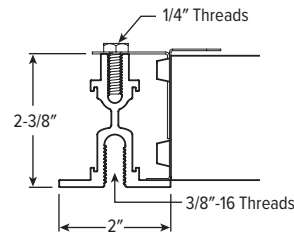
- This product must be installed in accordance with the applicable installation code by a person familiar with the construction and operation of the product and the hazards involved.
- Make sure all electrical power is turned off while installing the fixture.
- This luminaire must be adequately grounded for protection against shock hazards and to assure proper operation.
- Disconnect power before servicing.
- LEDs are ESD (Electro Static Discharge) sensitive devices that can be easily damaged if the proper ESD mitigating steps are not taken.
- LEDs are very sensitive to mechanical damage. Caution must be taken to avoid damage to the LEDs.
- ESD or mechanical damage voids all warranties.
- Suitable for dry and damp locations.

### FOR USE WITH:

- PTDC

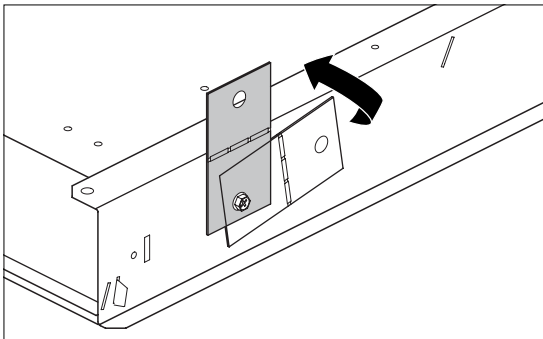
### WHAT IS AN ARMSTRONG DYNAMAX STRUCTURAL GRID SYSTEM?

All Williams DynaMax fixtures are designed to fit securely into DynaMax structural aluminum data center suspension systems.



**STEP 1:** Rotate (4) T-bar clips into position as shown.

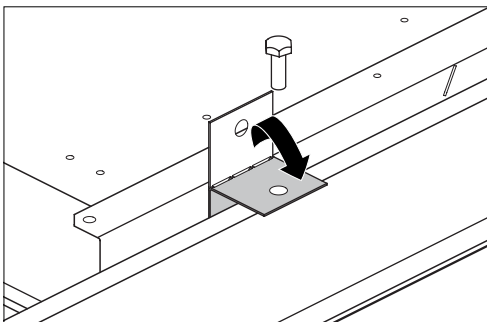
FIG 1.0.1



**STEP 2:** Raise fixture through the ceiling opening and rest in the grid system.

**STEP 3:** Bend T-bar clip tab down over grid system as shown and attach using 1/4-20 x 1/2 inch bolt, provided.

FIG 3.0.2



**STEP 4:** Refer to local codes for other installation requirements.

**STEP 5:** Once the fixture is installed into the ceiling system, complete necessary electrical connections per NEC and all applicable local electrical codes.

FIG 5.1

