

FLANGE KIT (FK)

INSTALLATION INSTRUCTIONS

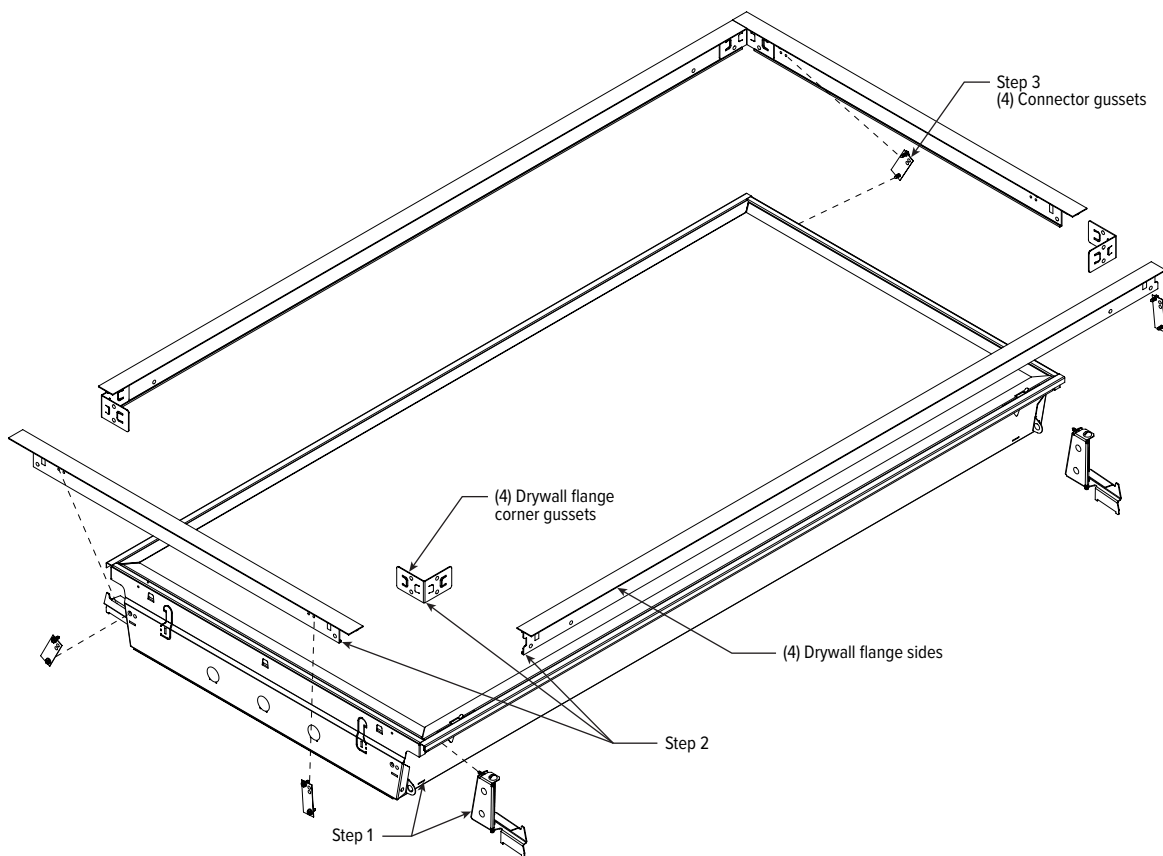


WARNING:

- This product must be installed in accordance with the applicable installation code by a person familiar with the construction and operation of the product and the hazards involved.
- Make sure all electrical power is turned off while installing the fixture.
- This luminaire must be adequately grounded for protection against shock hazards and to assure proper operation.
- Disconnect power before servicing.
- LEDs are ESD (Electro Static Discharge) sensitive devices that can be easily damaged if the proper ESD mitigating steps are not taken.
- LEDs are very sensitive to mechanical damage. Caution must be taken to avoid damage to the LEDs.
- ESD or mechanical damage voids all warranties.
- Suitable for dry and damp locations.

FOR USE WITH:

- 50G
- HE3G
- V50G
- DILG
- HETLG
- VDILG



INSTALLATION

STEP 1: Slide tab into slot of the fixture housing, then install screw to secure swing out bracket in place. Repeat on other corners.

STEP 2: Slide drywall flange corner gusset into groove on drywall flange side and ends. Repeat three times, then install over fixture.

STEP 3: Attach connector gusset to fixture housing then to DFK kit (flange kit).

STEP 4: Prepare the ceiling opening for the fixture.

NOTE: Do not exceed the maximum recommended ceiling opening. Refer to the specification sheet for dimensions. The supporting frame work, trusses, etc. can not exceed 3-3/8" in height.

FLANGE KIT (FK)

INSTALLATION INSTRUCTIONS

STEP 5: Locate the access plate on the back of the fixture and connect flex to the fixture, but do not make electrical connections.

STEP 6: Install the fixture(s) into the ceiling system. With assistance, lift the fixture into the prepared ceiling opening.

NOTE: Additional ceiling support may be used around the ceiling opening to aid in fixture installation.

STEP 7: Once the fixture is secured into the ceiling system, make electrical connections per NEC and all applicable local electrical codes.

FIG 7.1

