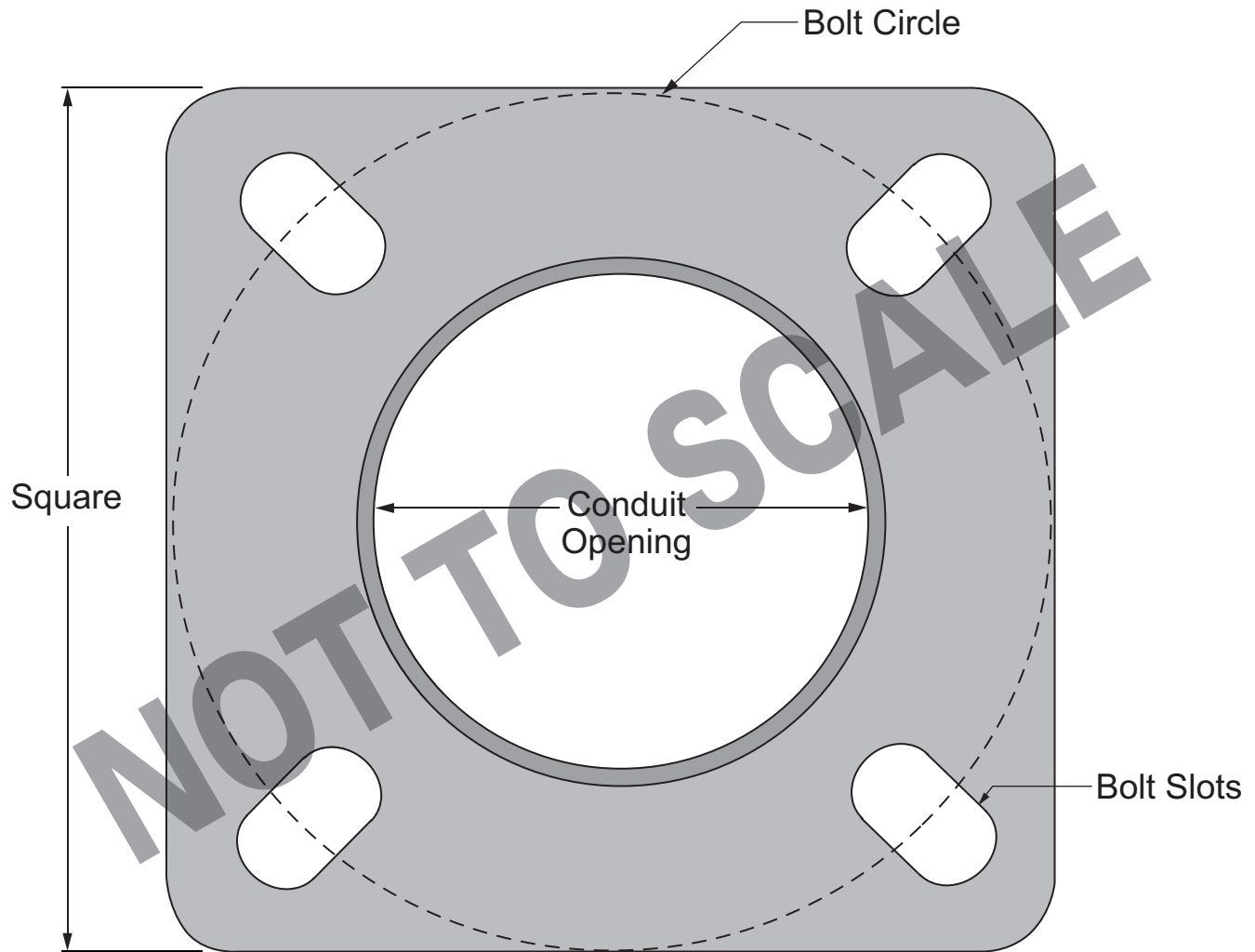


MOUNTING TEMPLATE

AV20/AV50/AV60 SERIES



The sample template above is not to scale and is not intended for actual use on-site. Scaled template will be shipped with every pole or anchor bolt order.

SERIES	POLE HEIGHT (FT)	STRUCTURAL BASE				CONDUIT OPENING (IN)	ANCHOR BOLTS			BOLT SLOT SIZE (IN)
		BOLT CIRCLE		SQ. (IN)	THK. (IN)		BOLT SIZE (IN)	PROJ. (IN)	± (IN)	
DIA. (IN)	± (IN)									
AV20	8 - 16	11.00	N/A	11.50	0.75	6.00	0.75 x 17.00 x 3.00	3.25	N/A	1.00 x 1.625
AV50	12 - 16	12.00	N/A	12.05	0.75	7.50	0.75 x 17.00 x 3.00	3.25	N/A	1.25 x 1.75
AV50	18 - 30	12.00	N/A	12.05	0.75	7.50	1.00 x 36.00 x 4.00	3.75	N/A	1.25 x 1.75
AV60	12 - 16	12.00	N/A	12.05	0.75	7.50	0.75 x 17.00 x 3.00	3.25	N/A	1.25 x 1.75
AV60	18 - 30	12.00	N/A	12.05	0.75	7.50	1.00 x 36.00 x 4.00	3.75	N/A	1.25 x 1.75