

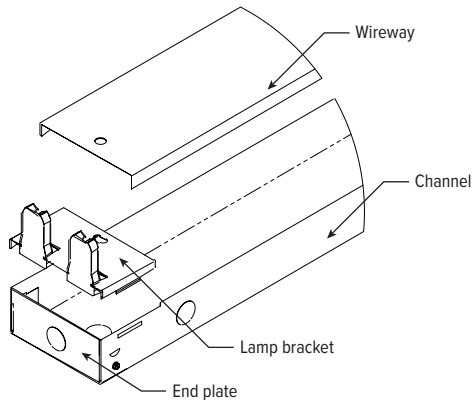
76 T5-T8

INSTALLATION INSTRUCTIONS



WARNING:

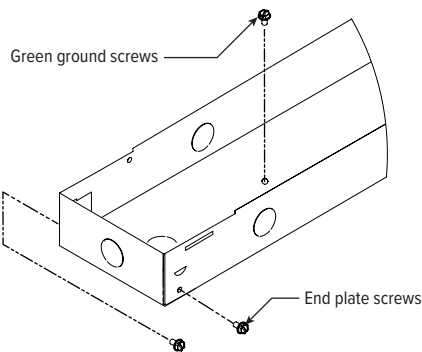
- Caution - Risk of Shock. This product must be installed in accordance with the applicable installation code by a person familiar with the construction and operation of the product and the hazards involved.
- Make sure all electrical power is turned off while installing the fixture.
- Warning Risk of Electrical Shock - Verify that supply voltage is correct by comparing it with the luminaire label information.
- This luminaire must be adequately grounded for protection against shock hazards and to assure proper operation.
- Disconnect power before servicing.
- Always use correct lamp type and wattages.
- Suitable for dry and damp locations.



INSTALLATION

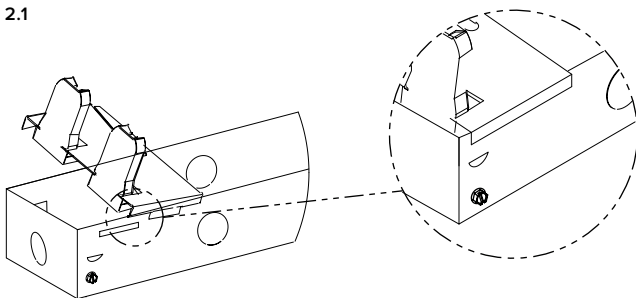
STEP 1: Snap-in end plate onto channel and install screws on end plate with snap-in option only. See FIG 1.1

FIG 1.1



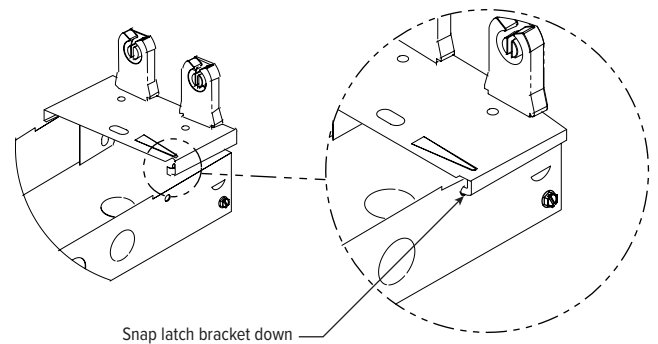
STEP 2: Align angled flange in lamp bracket with slot in channel. Slightly squeeze channel sides; hinge lamp bracket over channel. See FIG 2.1

FIG 2.1



STEP 3: On other side of channel, align protruding tab with hole in channel.

FIG 3.1



STEP 4: Install twist latch into wireway and secure onto lamp bracket.

FIG 4.1

