

96 & 97 LED SERIES

INSTALLATION INSTRUCTIONS



WARNING:

- This product must be installed in accordance with the applicable installation code by a person familiar with the construction and operation of the product and the hazards involved.
- Make sure all electrical power is turned off while installing the fixture.
- This luminaire must be adequately grounded for protection against shock hazards and to assure proper operation.
- Disconnect power before servicing.
- LEDs are ESD (Electro Static Discharge) sensitive devices that can be easily damaged if the proper ESD mitigating steps are not taken.
- LEDs are very sensitive to mechanical damage. Caution must be taken to avoid damage to the LEDs.
- ESD or mechanical damage voids all warranties.
- Suitable for wet locations.

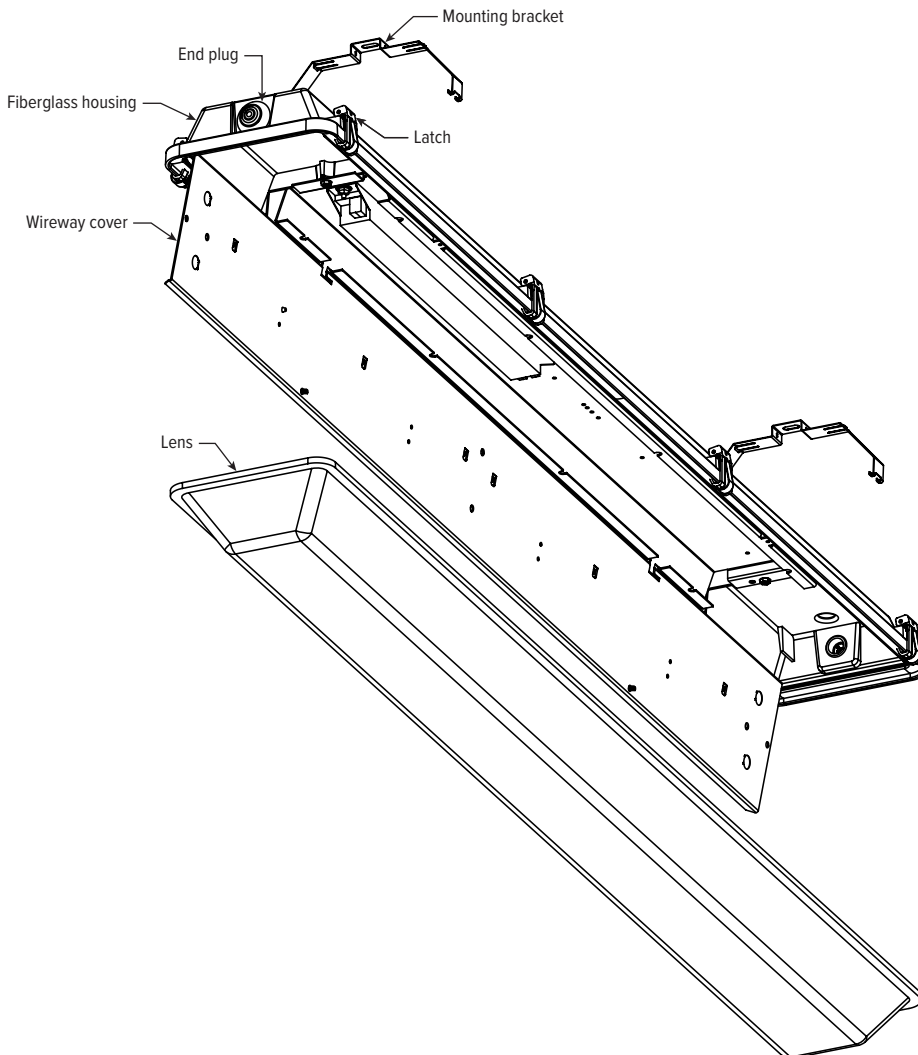
TABLE OF CONTENTS

FIXTURE DETAIL.....	1	WIRING DIAGRAM.....	2
INSTALLATION.....	2		

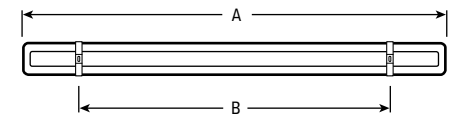
FIXTURE DETAIL

ENSURE THE LENS IS PROPERLY SEATED AND CENTERED IN THE GASKETED GROOVE PRIOR TO CLOSING THE LATCHES. FAILURE TO DO SO CAN RESULT IN DAMAGING THE LENS, LEADING TO LENS FAILURES THAT ARE NOT COVERED UNDER WARRANTY.

NOTE: Use the illustrations below when assembling or disassembling the fixture. (96, 4' shown)



BACKVIEW



	OVERALL LENGTH (A)	MOUNTING DISTANCE (B)
2'	27-5/8"	12"- 17" OC
4'	51-7/8"	30"- 42" OC
8'	100-1/4"	48"- 80" OC

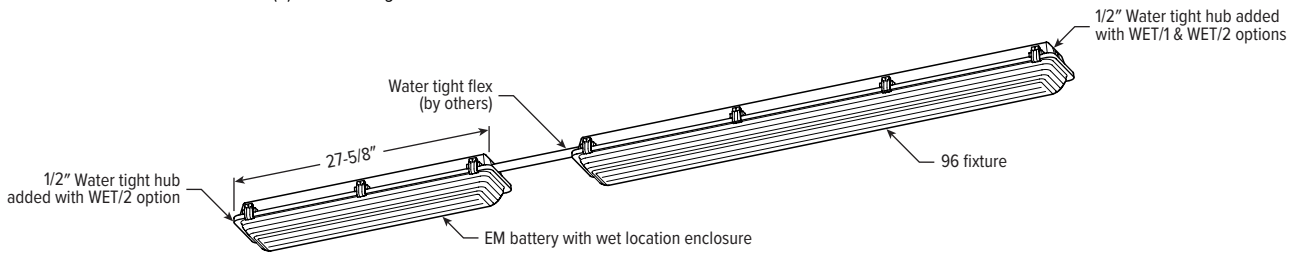
FIXTURE DETAILS CONTINUED ON NEXT PAGE.

96 & 97 LED SERIES

INSTALLATION INSTRUCTIONS

REMOTE MOUNT BATTERY

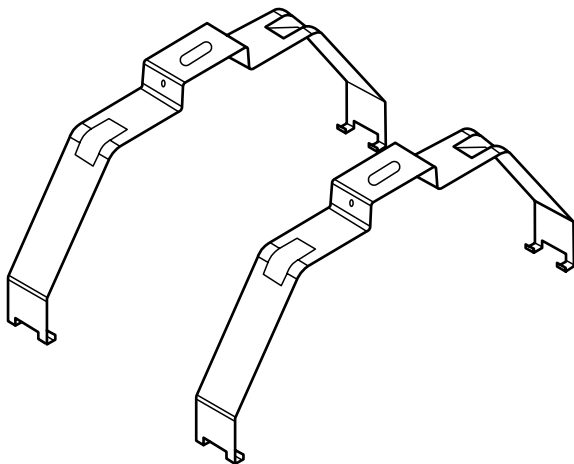
Max remote distance 50'. Includes (2) 1/2" watertight hubs.



INSTALLATION

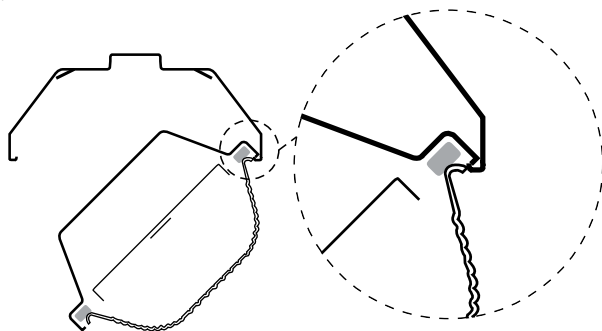
STEP 1: Securely attach mounting brackets (2) to mounting surface. The 96/97 enclosure will engage the mounting brackets at any point along its length, except for where there are latches. Required spacing between the brackets are as follows: 12" - 17" for 2' housings, 30" - 42" for 4' housings, and 48" - 80" for 8' housings.

FIG 1.1



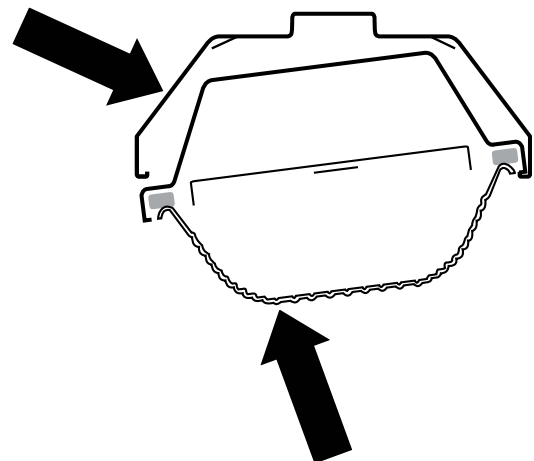
STEP 2: Insert one side of the 96/97 housing into the mounting brackets.

FIG 2.1



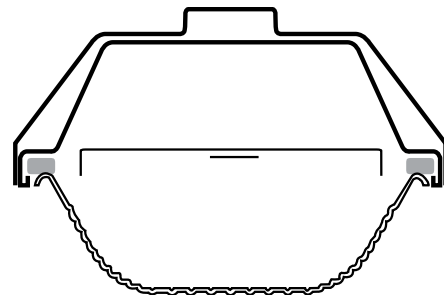
STEP 3: Push up on the enclosure and then press in on the mounting bracket until the mounting bracket clicks into place.

FIG 3.1



STEP 4: Verify that the enclosure is fully supported before connecting to a power supply.

FIG 4.1



WIRING DIAGRAM

Driver/power supply disconnects accept #12 – #16 AWG stranded or solid wire. Attach power supply and ground wires using UL listed wire connectors. Please consult factory for other driver configurations or emergency driver wiring diagrams.

