

96 TLED

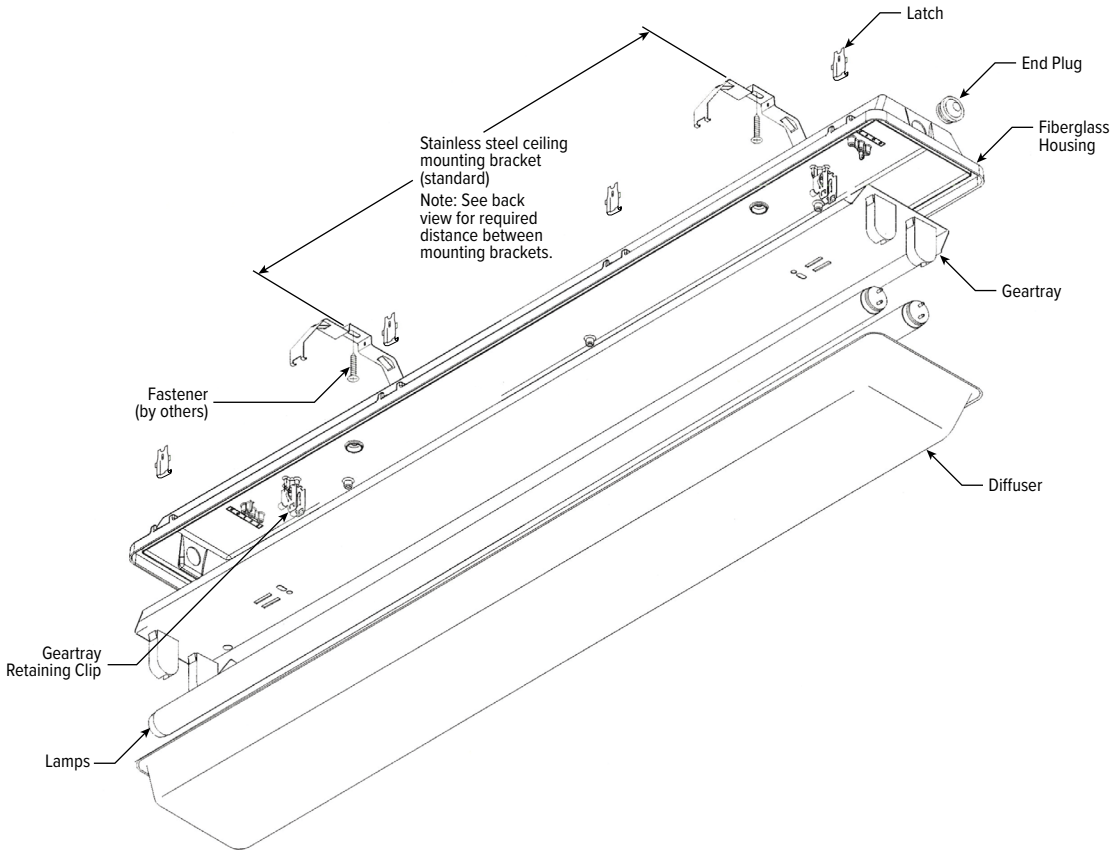
INSTALLATION INSTRUCTIONS



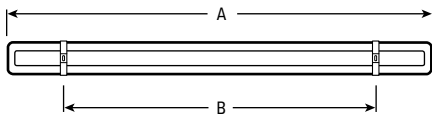
WARNING:

- This product must be installed in accordance with the applicable installation code by a person familiar with the construction and operation of the product and the hazards involved.
- Make sure all electrical power is turned off while installing the fixture.
- This luminaire must be adequately grounded for protection against shock hazards and to assure proper operation.
- Disconnect power before servicing.
- Caution - This luminaire cannot operate a fluorescent lamp.
- Risk of Fire or Electric Shock. Do not alter, relocate, or remove wiring, lamp holders, power supply, or any other electrical component.
- Luminaires are suitable for dry and damp locations only.
- LED tubes are not for use with dimmers.
- Complete all electrical connections with appropriate connectors/wires nuts as needed, per all local and national electrical codes.
- Suitable for wet locations.

FIXTURE DETAIL



BACKVIEW



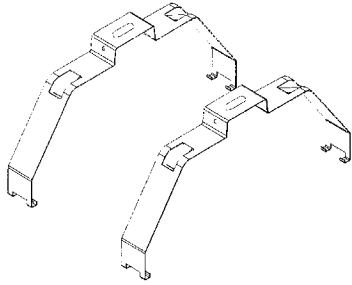
NOMINAL LENGTH	OVERALL LENGTH (A)	MOUNTING DISTANCE (B)
4'	51-7/8"	36"- 41" OC
8'	100-1/4"	70"- 80" OC

96 TLED

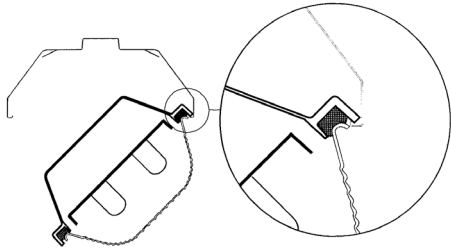
INSTALLATION INSTRUCTIONS

INSTALLATION

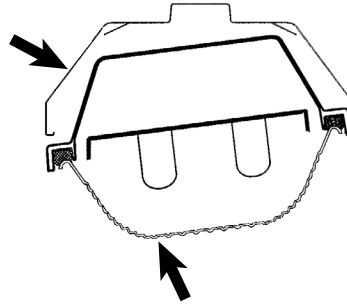
STEP 1: Securely attach mounting brackets (2) to mounting surface. The enclosure will engage the mounting brackets at any point along its length, except for where there are latches. Required spacing between the brackets are as follows: 30" - 42" for 4' housings and 48" - 80" for 8' housings.



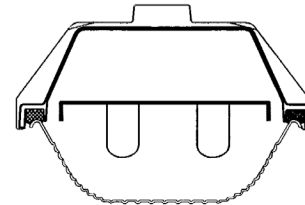
STEP 2: Insert one side of the housing into the mounting brackets.



STEP 3: Push up on the enclosure and then press in on the mounting bracket until the mounting bracket clicks into place.



STEP 4: Verify that the enclosure is fully supported before completing electrical connections.



ELECTRICAL CONNECTIONS

STEP 1: Connect AC Line wire to the new fixture wiring: Black to Black, White to White, and Green to Ground. Make sure all new connectors and wires are UL rated (90°C).

STEP 2: Install lamps. Ensure correct lamp orientation per (N) and (L) markings on fixture, see FIG 1 and 2 below.

STEP 3: Make sure lamps are correctly seated in the lampholder (sockets) before twisting.

