

AI3 LED

INSTALLATION INSTRUCTIONS



WARNING:

- This product must be installed in accordance with the applicable installation code by a person familiar with the construction and operation of the product and the hazards involved.
- Make sure all electrical power is turned off while installing the fixture.
- This luminaire must be adequately grounded for protection against shock hazards and to assure proper operation.
- Disconnect power before servicing.

- LEDs are ESD (Electro Static Discharge) sensitive devices that can be easily damaged if the proper ESD mitigating steps are not taken.
- LEDs are very sensitive to mechanical damage. Caution must be taken to avoid damage to the LEDs.
- ESD or mechanical damage voids all warranties.
- Suitable for dry and damp locations.

TABLE OF CONTENTS

A. MOUNTING BRACKET ASSEMBLY1
 B. MOUNTING POINT DIMENSIONS.....1
 C. MOUNT CANOPY TO JUNCTION BOX.....2

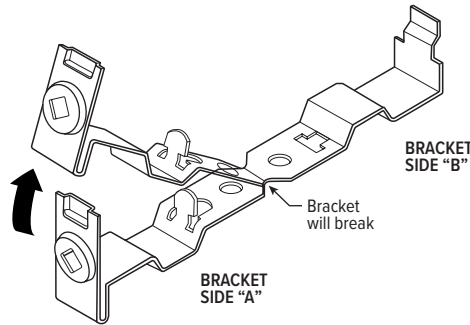
D. STAND-ALONE ASSEMBLY2
 E. ROW MOUNTING ASSEMBLY.....2

A. MOUNTING BRACKET ASSEMBLY

STEP 1: BREAK BRACKET

T-bar mounting bracket halves are supplied as a one piece metal stamping. Bend inward at middle until bracket breaks into two pieces.

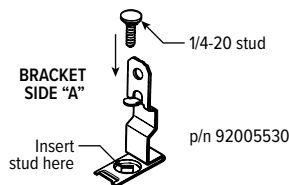
FIG A.1.1



STEP 2: INSERT STUD

Insert 1/4 - 20 threaded stud into Side A half of bracket.

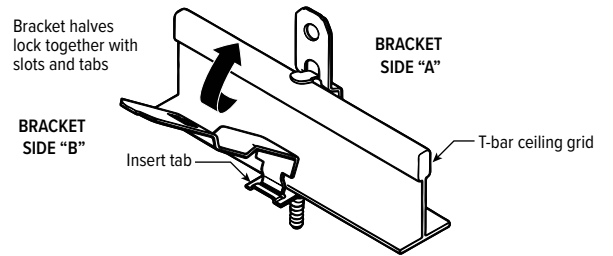
FIG A.2.1



STEP 3: SNAP ON T-BAR

T-bar mounting bracket halves interlock and snap together around T-bar. Brackets must be placed exactly on each mounting point for correct installation and hanging of cables, see B. MOUNTING POINT DIMENSIONS

FIG A.3.1



B. MOUNTING POINT DIMENSIONS

Mounting brackets for suspending light fixtures must be placed exactly every 4 feet or 8 feet depending on length of fixture to be installed.

One power feed source (and one 5" diameter canopy) will be used per single fixture when installing individual fixtures, or per row when installing in series. Each non-power mounting point will require a 2" diameter canopy.

FIG B.3.2

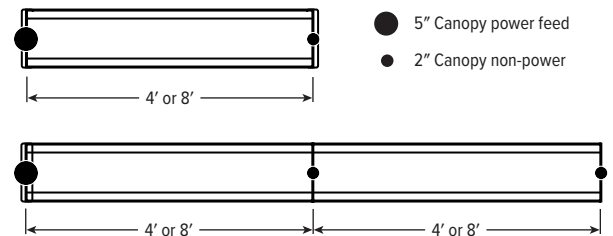
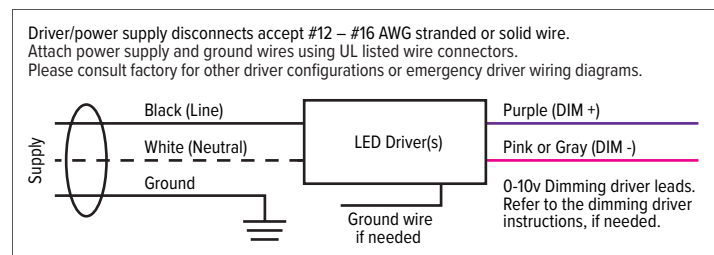


FIG B.3.3 Make electrical connections in accordance with NEC and local codes.

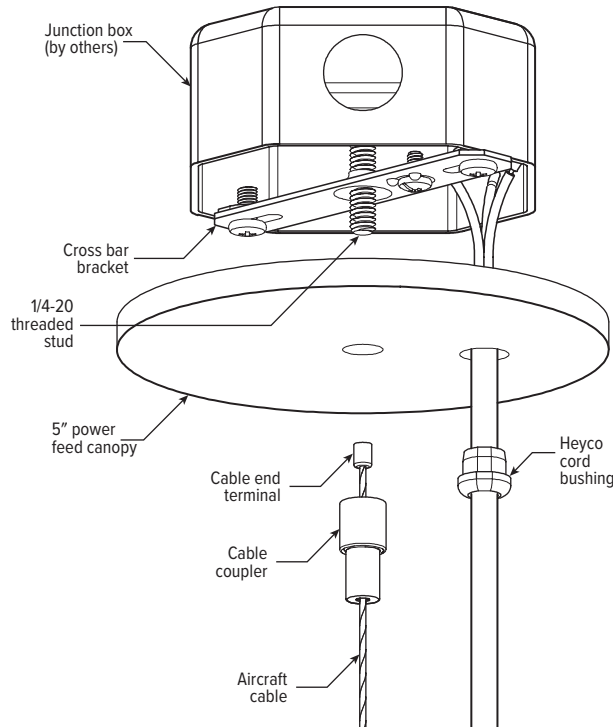


AI3 LED

INSTALLATION INSTRUCTIONS

C. MOUNT CANOPY TO JUNCTION BOX

FIG C.3.4



- STEP 1:** Mount the cross bar bracket to the junction box.
- STEP 2:** Insert the 1/4-20 stud into the cross bar.
- STEP 3:** Holding luminaire in place, make electrical connections.
- STEP 4:** Place the canopy cover with the 1/4-20 stud, centered.
- STEP 5:** Raise luminaire and thread cable coupler onto the 1/4-20 stud.

NOTE:

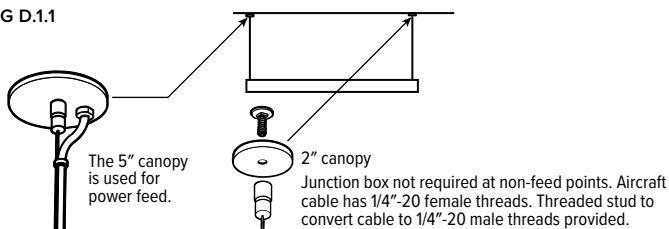
- 2 inch non-feed canopy supplied for opposite end.
- No junction box required for 2" canopy.
- Only 1/4-20 threaded material needed for non-feed mounting.
- Repeat steps 4 and 5 for non-feed mounting point.

D. STAND-ALONE ASSEMBLY

STEP 1: A stand-alone fixture will require two suspension cables. For safety, always support the weight of the fixture.

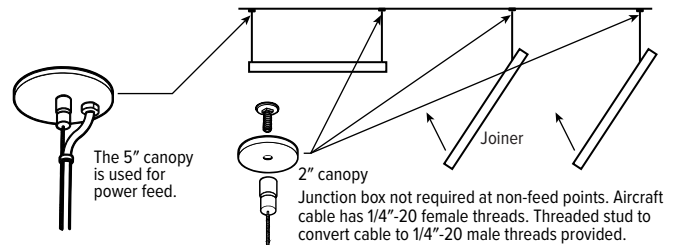
Do not leave a fixture hanging by only one end while working.

FIG D.1.1



E. ROW MOUNTING ASSEMBLY

FIG E.1.2



STEP 1: START A ROW

Only the first fixture in each row will require two suspension points. Each adjoining fixture will require only one suspension point before attaching to the previous fixture.

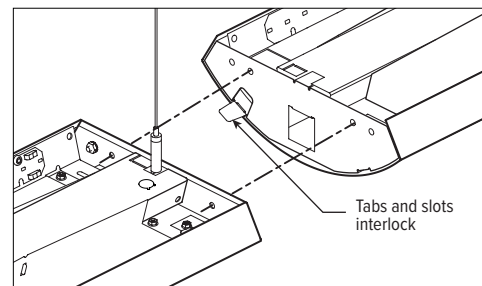
NOTE: For safety, always support the weight of the fixture. **Do not leave a fixture hanging by only one end while working.**

STEP 2: HANG & CONNECT ROWS

Begin each row by hanging & leveling the power feed fixture from the first two suspension cables. The second fixture in line will hang from the following suspension cable and attach to the end of the first fixture as follows:

- A. Plug fixtures together with quick-connect wiring at fixture ends.
- B. Interlock tabs and slots at ends of fixtures for correct alignment.

FIG E.2.1



C. Insert two 10 - 32 x 3/8" hex head Phillips screws (included with joiner fixture hardware) through end of fixture to securely fasten fixtures together.

D. Each additional fixture in the row attaches in the same manner.

E. Bend alignment tabs 90° inward at row ends before installing end caps.

FIG E.2.2

