

**WARNING:**

- This product must be installed in accordance with the applicable installation code by a person familiar with the construction and operation of the product and the hazards involved.
- Make sure all electrical power is turned off while installing the fixture.
- This luminaire must be adequately grounded for protection against shock hazards and to assure proper operation.
- Disconnect power before servicing.

- LEDs are ESD (Electro Static Discharge) sensitive devices that can be easily damaged if the proper ESD mitigating steps are not taken.
- LEDs are very sensitive to mechanical damage. Caution must be taken to avoid damage to the LEDs.
- ESD or mechanical damage voids all warranties.
- Suitable for dry and damp locations.

**TABLE OF CONTENTS**

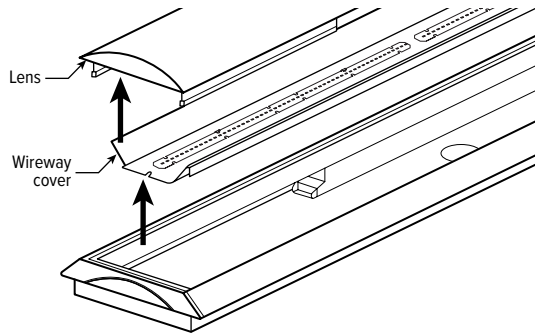
A. FIXTURE PREPARATION .....	1	E. SUSPENDED PENDANT MOUNT .....	3
B. SURFACE MOUNT TO T-BAR.....	1	F. ROW ALIGNER INSTALLATION .....	3
C. SEMI-RECESSED TO T-BAR.....	2	G. WIRING DIAGRAM.....	3
D. SUSPENDED AIRCRAFT CABLE MOUNT.....	3		

**A. FIXTURE PREPARATION**

**STEP 1:** Remove lens and wireway cover to access inside of housing.

Do not pull on the center of the diffuser to remove. Remove by gently pulling on the ends to disengage the lens clips. Pulling on the center may warp or damage the diffuser.

FIG A.1.1



**B. SURFACE MOUNT TO T-BAR**

**FOR SURFACE MOUNTING TYPE**

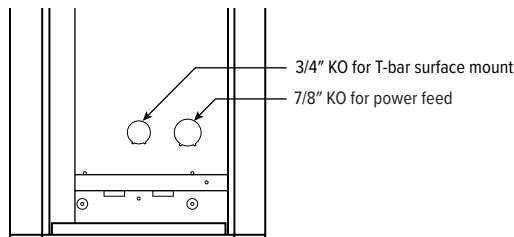
**STEP 2:** Mounting preparation

Remove center 3/4" KOs for t-bar mount. There are (2) mounts for each 4' fixture and (4) for each 8' fixture. Sheet rock ceiling installation doesn't require removal of KOs.

Determine power feed and remove KO for power feed. See WIRING DIAGRAM on page 4.

Continuous row mount may use quick-connect wiring, if specified, and will use row aligner. See ROW ALIGNER INSTALLATION on page 4.

FIG B.2.1



**STEP 3:** Mounting hardware

Insert stud into t-bar clip (FIG B.3.1), then install t-bar clip to main t-bar (FIG B.3.2).

FIG B.3.1

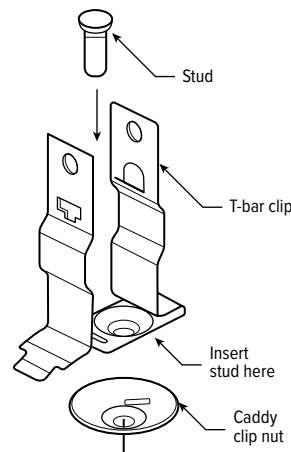
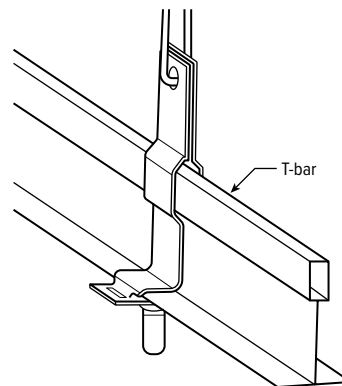


FIG B.3.2



**CONTINUED ON NEXT PAGE.**

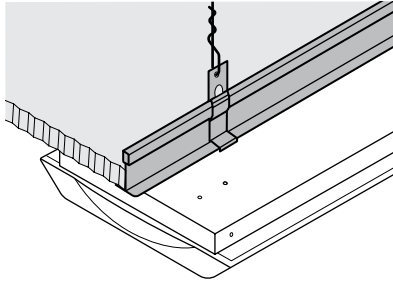
# ASM LED

## INSTALLATION INSTRUCTIONS

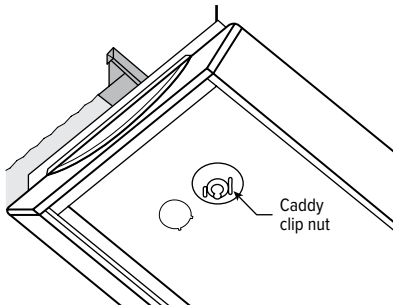
### STEP 4: Mount fixture to the t-bar

- A. Align 3/4" KOs to t-bar clips and hold firmly against the ceiling.
- B. Attach caddy clip nut to t-bar clip stud and tighten until snug.

FIG B.4.1 Top View



Bottom View

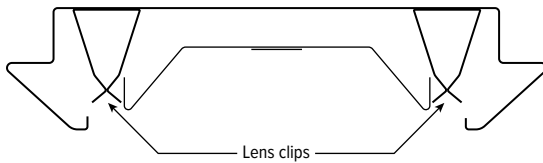


### STEP 5: Reinstall lens and wireway cover

- A. Connect power and reinstall wireway cover.

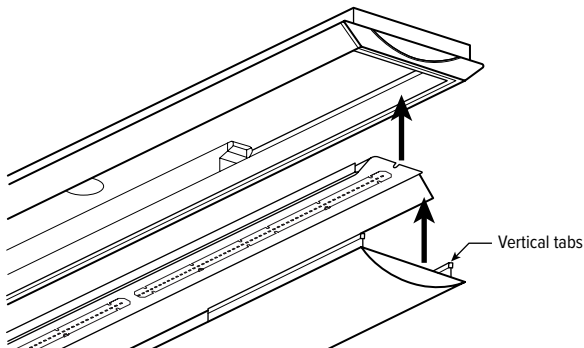
**CAUTION:** The wireway cover must not interfere with the lens clips. The lens will not remain firmly attached if the clips are pulled open with the wireway cover.

FIG B.5.1



- B. To reinstall the diffuser, apply pressure at points where vertical tabs on the diffuser engage the spring steel lens clips.

FIG B.5.2



### C. SEMI-RECESSED TO T-BAR

#### FOR SEMI-RECESSED MOUNTING TYPE

STEP 1: See STEP 1 on page 1. See WIRING DIAGRAM on page 4.

STEP 2: Install mounting bracket to the back of the fixture

- A. Locate the semi-recessed mounting hardware included in the packaging (2 brackets). Install bracket flat onto the back of the channel with (2) #8 screws. See FIG C.2.1
- B. Turn the fixture over and install (2) 1-1/4" screws through the mounting bracket and fixture housing. See FIG C.2.2
- C. After the screws are installed, bend the bracket to a 45° angle and attach (2) PAL nuts to the tip of each screw. See FIG C.2.3

FIG C.2.1

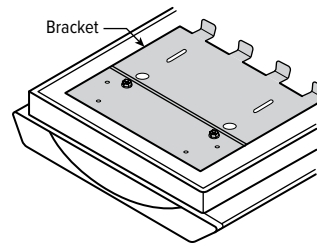


FIG C.2.2

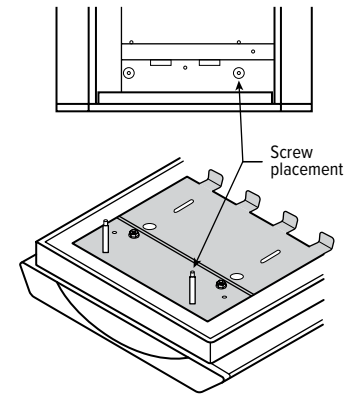


FIG C.2.3

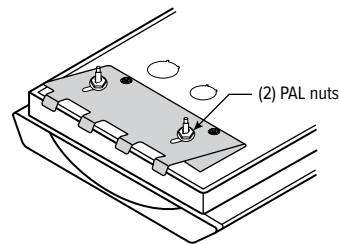
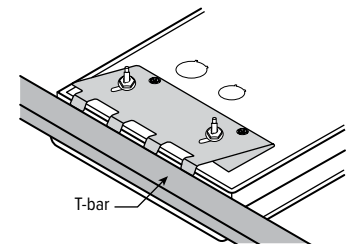


FIG C.2.4



STEP 3: Hang fixture from t-bar

Hook the mounting brackets over the top side of the t-bar and place the fixture to the desired location width-wise between the t-bars. Once the fixture is in the proper position, tighten the PAL nuts on top of each bracket to securely lock the fixture in position. See FIG C.2.4

The edge of the die-cast endplate should be seated firmly along the bottom side of the t-bar.

STEP 4: Reinstall lens and wireway cover, see FIG B.5.1 & FIG B.5.2

# ASM LED

## INSTALLATION INSTRUCTIONS

### D. SUSPENDED AIRCRAFT CABLE MOUNT

#### FOR SUSPENDED MOUNTING TYPE

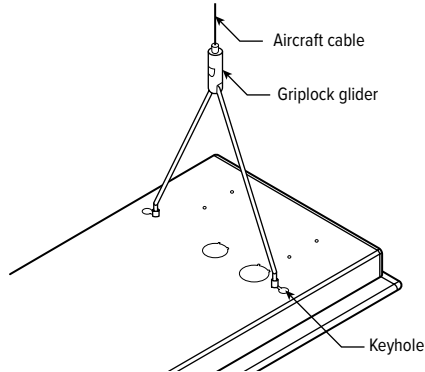
STEP 1: See STEP 1 on page 1. See WIRING DIAGRAM on page 4.

STEP 2: Locate keyholes on back of fixture

Insert Y cable into the large opening of the keyhole to attach the fixture. Install plugs into the large keyhole opening to prevent the cable from being removed.

Repeat on other end of fixture.

FIG D.2.1



STEP 3: Attach aircraft cable to griplock glider. See FIG D.2.1

Push down on top of the griplock glider. Insert the aircraft cable and release the top to lock the cable in place.

For safety, always support the weight of the fixture. **Do not leave a fixture hanging by only one end while working.**

Continuous row mount may use quick-connect wiring, if specified, and will use row aligner. See ROW ALIGNER INSTALLATION on page 4.

FIG D.3.1 Stand-alone assembly

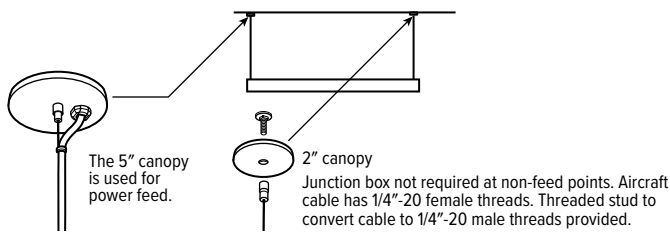
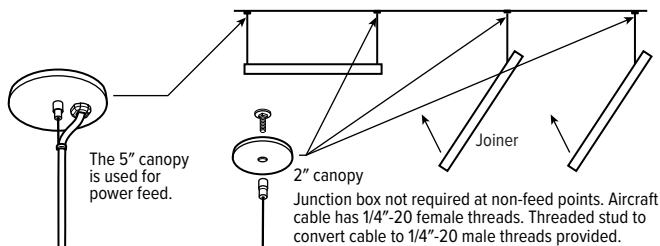


FIG D.3.2 Row mount assembly



STEP 4: Adjust and level the fixture after all aircraft cables are installed.

STEP 5: Reinstall lens and wireway cover, see FIG B.5.1 & FIG B.5.2 on page 2.

### E. SUSPENDED PENDANT MOUNT

#### FOR SUSPENDED MOUNTING TYPE

STEP 1: See STEP 1 on page 1.

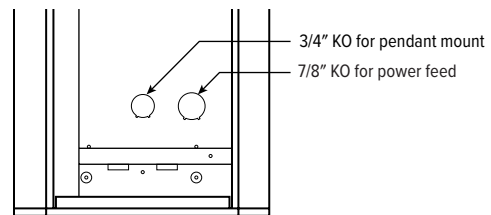
STEP 2: Mounting preparation

Remove center 3/4" KO for pendant mount. Locate the pendant mounting points on the ceiling and install as needed.

Determine power feed and remove KO for power feed. See WIRING DIAGRAM.

Continuous row mount may use quick-connect wiring, if specified, and will use row aligner. See ROW ALIGNER INSTALLATION on page 4.

FIG E.2.1



STEP 3: Mount fixture to pendant

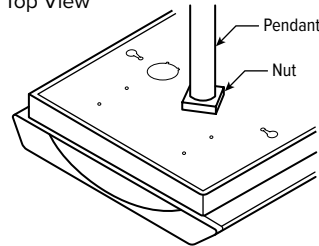
A. Screw one nut about 1/2" onto pendant. Repeat on all pendants to be used in installation.

B. Lift the fixture and insert the pendant into the center 3/4" KO to install. Then attach a second nut to the pendant and tighten until snug. Repeat on remaining pendants for each fixture.

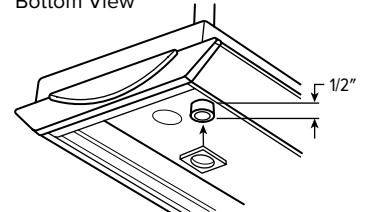
**CAUTION:** Ensure that the pendant does not extend into the fixture more than 1/2". If it is more than that, it may prevent the reflector from being properly installed.

FIG E.3.1

Top View



Bottom View



STEP 4: Reinstall lens and wireway cover, see FIG B.5.1 & FIG B.5.2 on page 2.

# ASM LED

## INSTALLATION INSTRUCTIONS

### F. ROW ALIGNER INSTALLATION

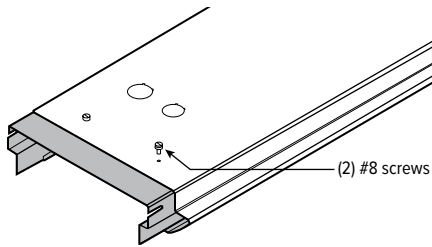
#### FOR CONTINUOUS ROW MOUNTING

(Not available with semi-recessed mounting type)

**STEP 1:** Remove die cast end plates from the fixture ends to be joined together.

**STEP 2:** Slide row aligner inside the fixture housing and install (2) #8 screws through the back of the fixture to secure the row aligner. Ensure the fixture housings butt together to prevent light leaks.

FIG F.2.1



### G. WIRING DIAGRAM

Make electrical connections in accordance with NEC and local codes.

