

ATS SURFACE MOUNT SERIES

INSTALLATION INSTRUCTIONS



WARNING:

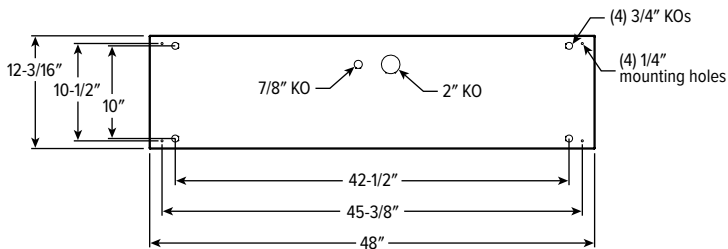
- This product must be installed in accordance with the applicable installation code by a person familiar with the construction and operation of the product and the hazards involved.
- Make sure all electrical power is turned off while installing the fixture.
- This luminaire must be adequately grounded for protection against shock hazards and to assure proper operation.
- Disconnect power before servicing.
- LEDs are ESD (Electro Static Discharge) sensitive devices that can be easily damaged if the proper ESD mitigating steps are not taken.
- LEDs are very sensitive to mechanical damage. Caution must be taken to avoid damage to the LEDs.
- ESD or mechanical damage voids all warranties.
- Suitable for dry and damp locations.

TABLE OF CONTENTS

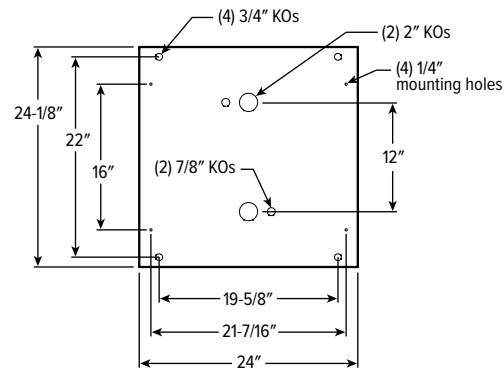
CROSS SECTIONS.....	1	SHEET ROCK CEILING INSTALLATION.....	2
T-BAR CEILING INSTALLATION.....	1		

BACKVIEWS

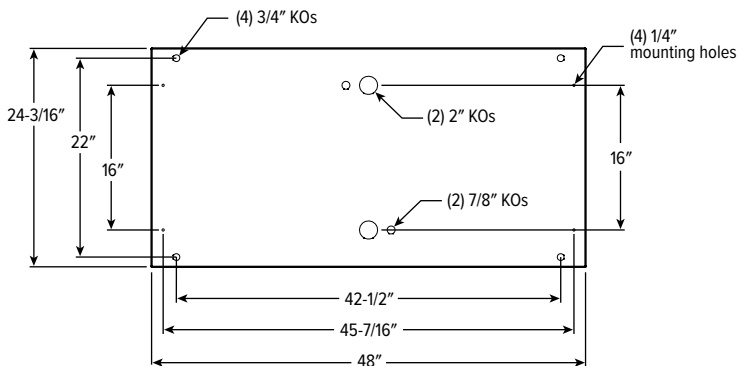
1x4



2x2



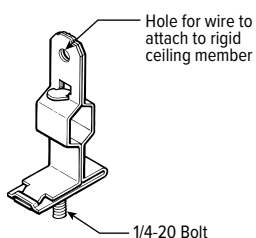
2x4



T-BAR CEILING INSTALLATION

- STEP 1:** Each Williams surface mount fixture has a 3/4" K.O. in each corner on the back. Additional 7/8" K.O.'s exist for power entry.
- STEP 2:** Attach (4) GAT fasteners (See FIG 2.1) to the T-bar grid, ensuring at least 2 of the fasteners are attached to the "main-T". If the "main-T" is not accessible, make certain the GAT fastener is attached to a rigid member above the ceiling.

FIG 2.1



- STEP 3:** Open and remove lens and door assembly. While holding the reflector, remove the three screws on each side then lift the reflector up and out.
- STEP 4:** Depending on the placement of the fixture, it may be necessary to drill holes in the back-side of the fixture to match up to the GAT fasteners.
- STEP 5:** Once the (4) GAT fasteners are lined up with the holes or KO's in the fixture, lift the fixture to the ceiling above. The 1/4-20 bolts of the fastener should be sticking through the holes or KO's. Tighten the (4) nuts to the bolts, attaching the fixture.

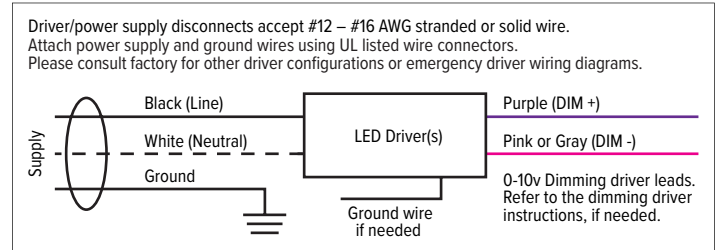
CONTINUED ON PAGE 2

ATS SURFACE MOUNT SERIES

INSTALLATION INSTRUCTIONS

STEP 6: Attach power supply and ground wires using UL listed wire connectors through a 7/8" K.O. on the fixture's back. Bring a piece of "flex" and connector into the fixture – simply plug the connector through the 7/8" K.O. and make electrical connections in the fixture. Ballast disconnect accepts #12 - #16 AWG stranded or solid wire. The 2" center K.O., if supplied, can be used when an outlet box is directly above the fixture K.O.

FIG 6.1 Make electrical connections in accordance with NEC and local codes.



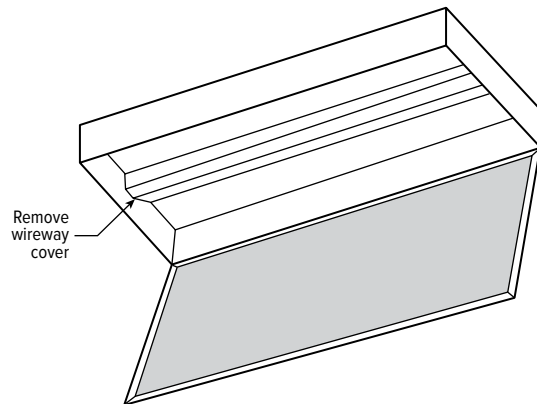
STEP 7: Replace parts removed in STEP 3 and wipe off fixture.

SHEET ROCK CEILING INSTALLATION

STEP 1: Locate the driver inside the fixture.

- A. Some fixtures may require additional disassembly to locate the driver.

FIG 1.A.1



- B. Fixture may have multiple devices (i/e: emergency battery packs) that require additional wiring that must be supplied to the fixture.

STEP 2: Surface mount fixtures typically mount directly over a recessed junction box (furnished by others). Once the driver is located, remove the appropriate knock out to bring incoming power into the fixture.

STEP 3: On most surface mount fixtures, there are additional knockout locations provided in each corner of the fixture. You can use these locations to adequately support the fixture. The additional fasteners, bolts, etc. required to support the fixture will be provided by others.

STEP 4: Mount the fixture to the ceiling structure, with incoming power pulled into the driver compartment. Once the fixture is adequately secured to the ceiling, connect incoming power to the driver leads and replace the wire-way cover. Reassemble fixture if multiple parts are provided.

STEP 5: Wipe off any finger prints and insert the correct lamp (if required) and close the fixture/replace the outer lens.