

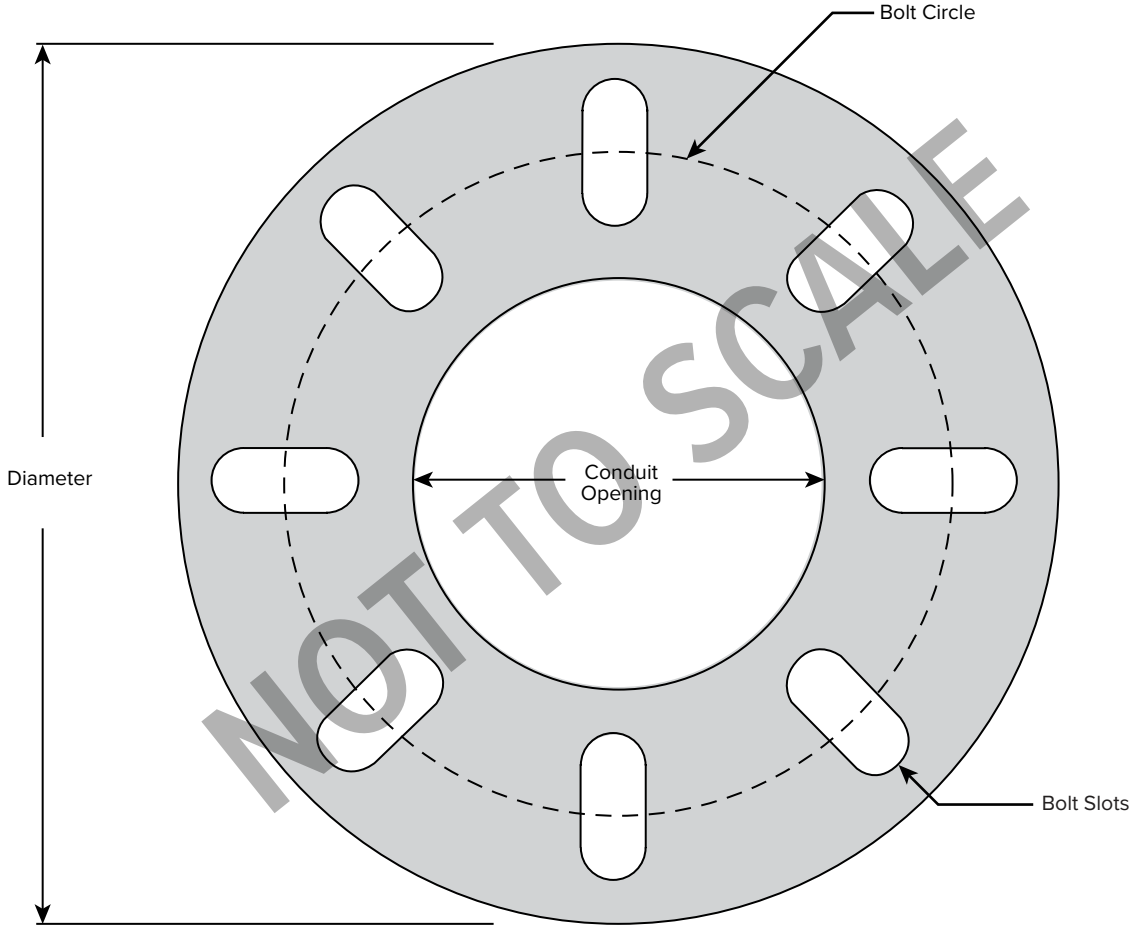
AV10 | AV30 POLE

MOUNTING TEMPLATE



NOTE:

This sample template is not to scale and is not intended for actual use on-site. Scaled template will be shipped with every pole or anchor bolt order.



SERIES	POLE HEIGHT (FT)	STRUCTURAL BASE				CONDUIT OPENING (IN)	ANCHOR BOLTS ¹			BOLT SLOT SIZE (IN)
		BOLT CIRCLE		DIA. (IN)	THK. (IN)		BOLT SIZE (IN)	PROJ. (IN)	± (IN)	
		DIA. (IN)	± (IN)							
AV10	8 - 16	9.00	N/A	16.00	0.86	6.00	0.75 x 17.00 x 3.00	3.50	N/A	0.875 x 2.875
AV30	10 - 18	9.00	N/A	16.00	0.86	6.00	0.75 x 17.00 x 3.00	3.50	N/A	0.875 x 2.875

¹ Provided with four anchor bolts. Base has eight slots for additional orientation.

