

# AW | NW LED

## INSTALLATION INSTRUCTIONS



### WARNING:

- This product must be installed in accordance with the applicable installation code by a person familiar with the construction and operation of the product and the hazards involved.
- Make sure all electrical power is turned off while installing the fixture.
- This luminaire must be adequately grounded for protection against shock hazards and to assure proper operation.
- Disconnect power before servicing.

- LEDs are ESD (Electro Static Discharge) sensitive devices that can be easily damaged if the proper ESD mitigating steps are not taken.
- LEDs are very sensitive to mechanical damage. Caution must be taken to avoid damage to the LEDs.
- ESD or mechanical damage voids all warranties.
- Suitable for dry and damp locations.

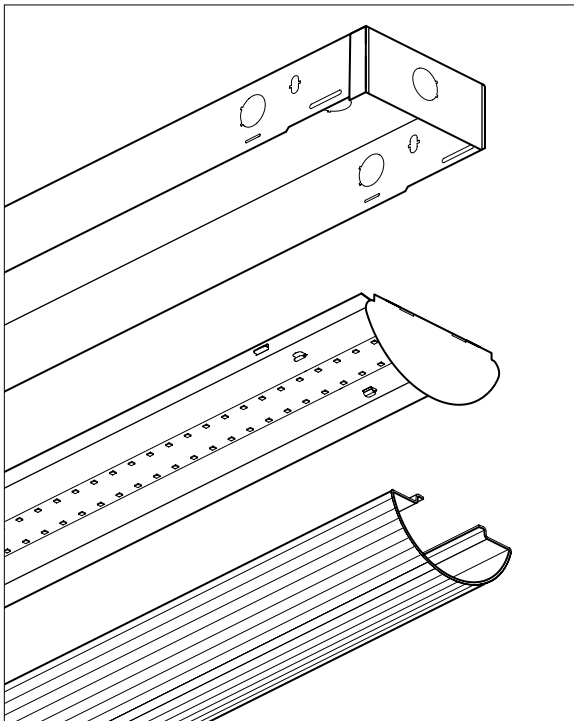
### FOR USE WITH:

- AW
- NW

### A. GENERAL MOUNTING

**STEP 1:** Remove lens and wireway cover from fixture. Secure fixture to ceiling using adequate hardware, by others.

FIG A.1.1 NW Shown



**STEP 2:** Make electrical connections in accordance with NEC and local codes. See FIG B.4.2

**STEP 3:** Re-install wireway cover and lens. Install end plates on non-row mounted ends.

### B. MOUNTING USING VBY HANGER

**STEP 1:** Insert VBY hangers into slots. NW only: spread VBY hangers to clear fixture housing and insert into slots.

**STEP 2:** Attach VBY hanger to cable or chain (by others) adequately secured to ceiling structure.

**STEP 3:** Remove lens and wireway cover from fixture. See FIG A.1.1 Make electrical connections in accordance with NEC and local codes. See FIG B.4.2

**STEP 4:** Re-install wireway cover and lens. Install end plates on non-row mount ends. See FIG B.4.2

FIG B.4.1

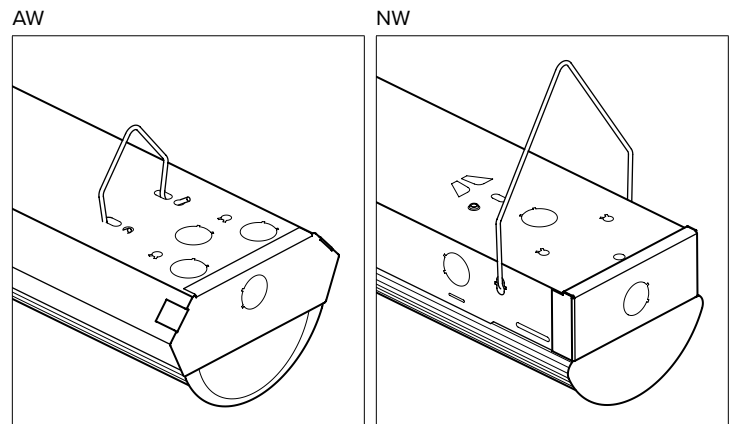


FIG B.4.2 Make electrical connections in accordance with NEC and local codes.

Driver/power supply disconnects accept #12 – #16 AWG stranded or solid wire. Attach power supply and ground wires using UL listed wire connectors. Please consult factory for other driver configurations or emergency driver wiring diagrams.

