

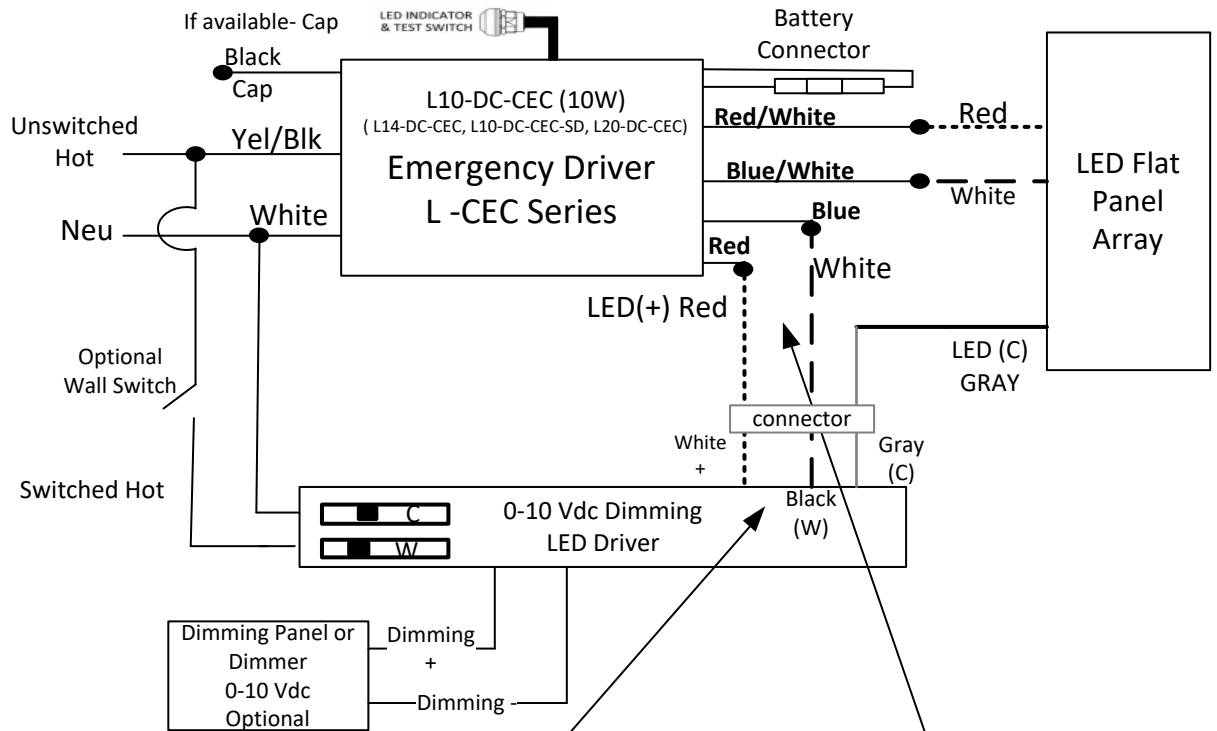
# Flat Panel Wiring Diagram

## HE Williams BP Series

06232023

EM/10WKIT CEC

Call 1-877-774-4775 for Technical Assistance



## HEW BP Flat Panel Series

**Note:** The AC Driver output leads are Gray , Black and White from the AC driver. Two of these lead wires change colors at the LED connector. The changed colors are Red (+), White (W) and Gray. The Red and White wires must be cut and wired as shown to the L Series LED EM Driver. Do not cut the Gray wire.

The **Load side** of the flat panel array will then be connected with Red to EM Red/White and White to EM Blue/White. **Dimming Violet and Pink can be connected with a dimming system.**

**Note:** To access the AC driver output lead wires, remove flat panel galvanized covers-

