

LED CYLINDERS – CABLE MOUNT

INSTALLATION INSTRUCTIONS



WARNING:

- This product must be installed in accordance with the applicable installation code by a person familiar with the construction and operation of the product and the hazards involved.
- Make sure all electrical power is turned off while installing the fixture.
- This luminaire must be adequately grounded for protection against shock hazards and to assure proper operation.
- Disconnect power before servicing.
- LEDs are ESD (Electro Static Discharge) sensitive devices that can be easily damaged if the proper ESD mitigating steps are not taken.
- LEDs are very sensitive to mechanical damage. Caution must be taken to avoid damage to the LEDs.
- ESD or mechanical damage voids all warranties.
- Suitable for dry and damp locations.

FOR USE WITH:

- 4CR
- 4CS
- 6CR
- 6CRDI
- 8CR
- 8CRDI

TABLE OF CONTENTS

A. STANDARD MONO-POINT INSTALLATION.....	1	D. TrimLock® INSTALLATION.....	4
B. DUAL CABLE INSTALLATION.....	2	E. WIRING DIAGRAM.....	4
C. Y-CABLE INSTALLATION.....	3		

A. STANDARD MONO-POINT INSTALLATION

FOR USE WITH: 4CR, 6CR, AND 8CR

FIG A.0.1 Bracket Bar Assembly.

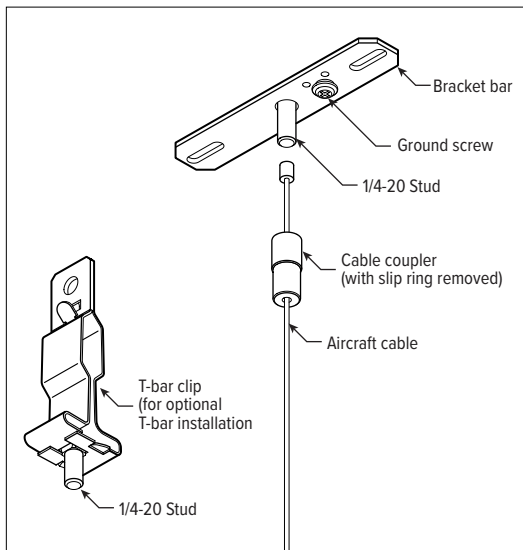


FIG A.0.2 Attach Mounting Hardware.

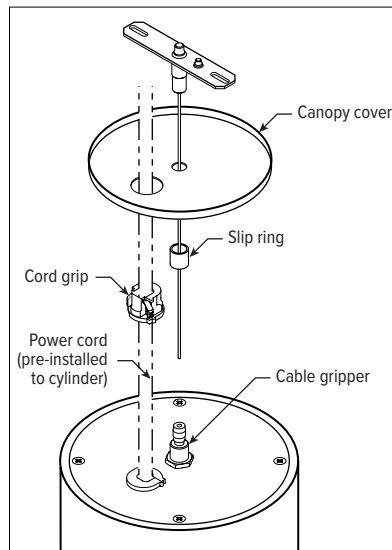
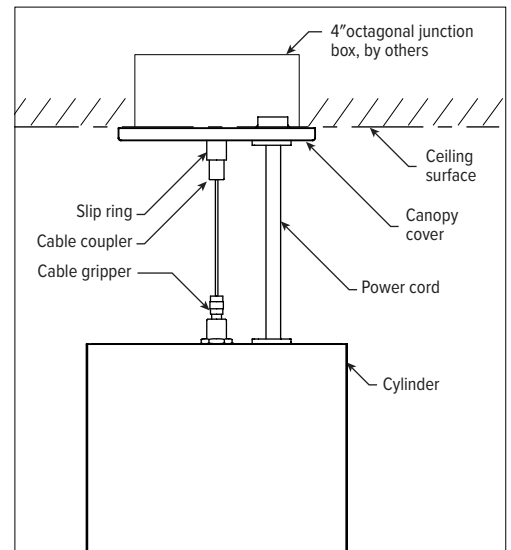


FIG A.0.3



STEP 1: Assemble bracket bar. See FIG A.0.1.

- Attach the bracket bar to the recessed junction box.
- Remove the slip ring from the cable coupler then use the cable coupler to anchor the aircraft cable to the 1/4-20 stud.

STEP 2: Attach mounting hardware to fixture. See FIG A.0.2.

- Route the aircraft cable through both the canopy cover and slip ring; then, terminate to the cable gripper on top of the cylinder so that it is supported.
- Connect the power cord from the cylinder to the canopy cover using the cord grip.

STEP 3: Make electrical connections.

See E. WIRING DIAGRAM on page 4.

- Make all terminations between the power cord and the corresponding leads within the junction box.
- Attach the canopy cover to the junction box by threading the slip ring onto the cable gripper.

STEP 4: Make any desired height adjustments to the aircraft cable length by using the cable gripper.

STEP 5: (Optional) use wire ties provided to tether the power cord to the aircraft cable.

LED CYLINDERS – CABLE MOUNT

INSTALLATION INSTRUCTIONS

B. DUAL CABLE INSTALLATION

FOR USE WITH: 4CS

FIG B.5.1 Mounting Plate Assembly.

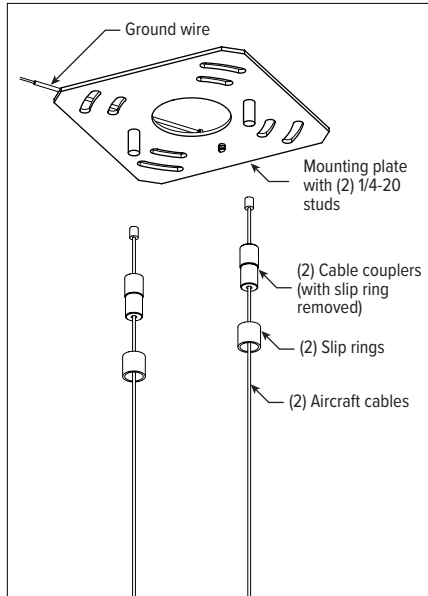


FIG B.5.2 Attach Mounting Hardware.

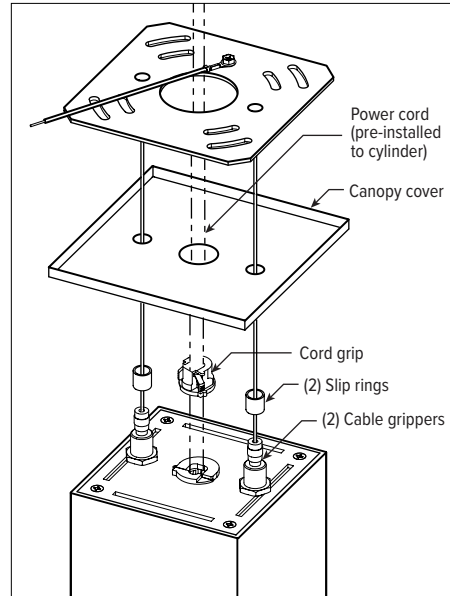
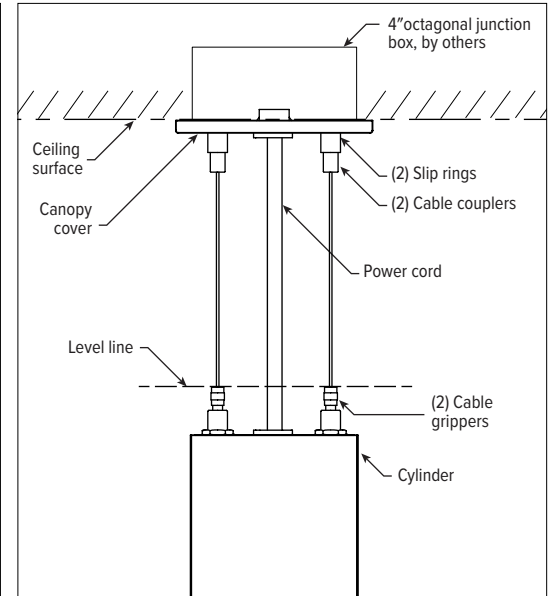


FIG B.5.3



STEP 1: Assemble mounting plate. See FIG B.5.1.

- A. Attach the dual cable mounting plate to the recessed junction box.
- B. Remove the slip rings from the cable couplers then use the cable couplers to anchor the aircraft cables to the 1/4-20 studs.

STEP 2: Attach mounting hardware to fixture. See FIG B.5.2.

- A. Route the aircraft cables through both the canopy covers and slip rings; then, terminate to the cable grippers on top of the cylinder so that it is supported.
- B. Connect the power cord from the cylinder to the canopy cover using the cord grip.

STEP 3: Make electrical connections.

See E. WIRING DIAGRAM on page 4.

- A. Make all terminations between the power cord and the corresponding leads within the junction box.
- B. Attach the canopy cover to the junction box by threading the slip ring onto the cable gripper.

STEP 4: Level the fixture by using the cable grippers to make any desired height adjustments to the aircraft cable length.

NOTE: Ensure the cable grippers are aligned along a level line. See FIG B.5.3.

STEP 5: (Optional) use wire ties provided to tether the power cord to the aircraft cable.

LED CYLINDERS – CABLE MOUNT

INSTALLATION INSTRUCTIONS

C. Y-CABLE INSTALLATION

FOR USE WITH: 6CRDI AND 8CRDI

FIG C.5.1 Bracket Bar Assembly.

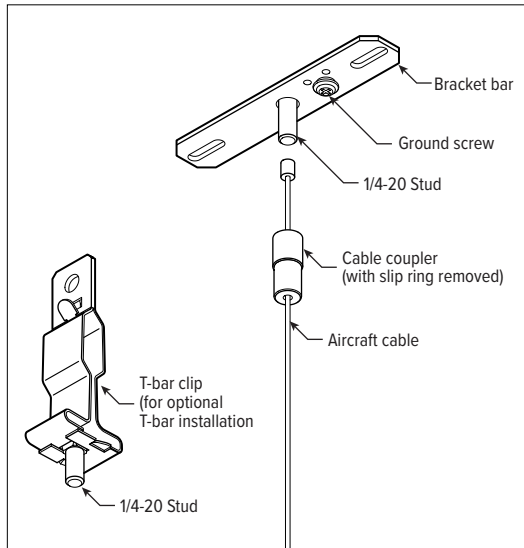
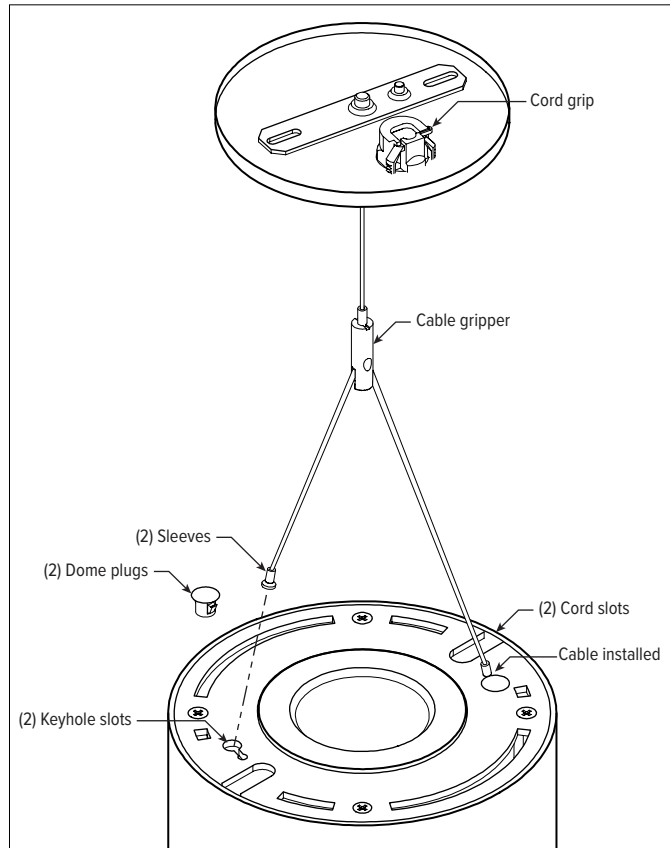


FIG C.5.2 Attach Mounting Hardware.



NOTE: Power cord not shown for y-cable clarity.

STEP 1: Assemble bracket bar. See FIG C.5.1.

- A. Attach the bracket bar to the recessed junction box.
- B. Remove the slip ring from the cable coupler then use the cable coupler to anchor the aircraft cable to the 1/4-20 stud.

STEP 2: Attach mounting hardware to fixture. See FIG C.5.2.

- A. Route the aircraft cable through both the canopy cover and slip ring; then, route to the cable gripper.
- B. Attach both y-cable anchor sleeves to cylinder:
 - Insert sleeve through major diameter of keyhole slot then shift over to opposite end.
 - Insert dome plug to prevent the sleeve from shifting back.
- C. Connect the power cord from the cylinder to the canopy cover using the cord grip.

STEP 3: Make electrical connections.
See E. WIRING DIAGRAM on page 4.

STEP 4: Make all terminations between the power cord and the corresponding leads within the junction box.
A. Attach the canopy cover to the junction box by threading the slip ring onto the cable gripper.

STEP 5: Make any desired height adjustments to the aircraft cable length by using the cable gripper.

STEP 6: (Optional) use wire ties provided to tether the power cord to the aircraft cable.

LED CYLINDERS – CABLE MOUNT

INSTALLATION INSTRUCTIONS

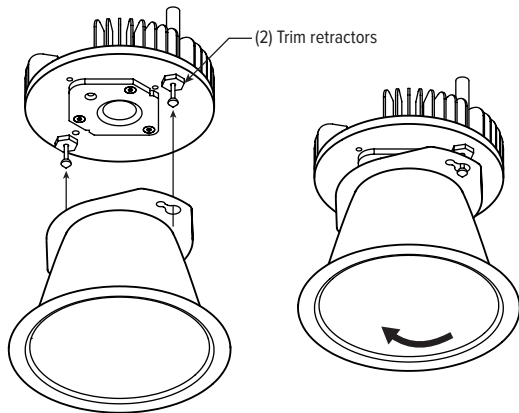
D. TrimLock® INSTALLATION

FOR USE WITH 6CR, 6CRDI, 8CR, 8CRDI

- A. Align reflector with keyhole slots, then twist reflector. See FIG D.6.1.

NOTE: The trim housing (see FIG D.6.3.) has alignment features that will guide the reflector.

FIG D.6.1



- B. Pull reflector downward until audible click is heard, then release. See FIG D.6.2. – FIG D.6.3.

FIG D.6.2

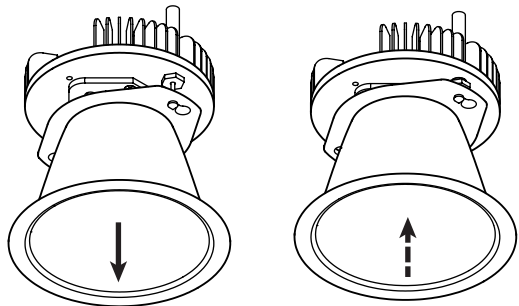
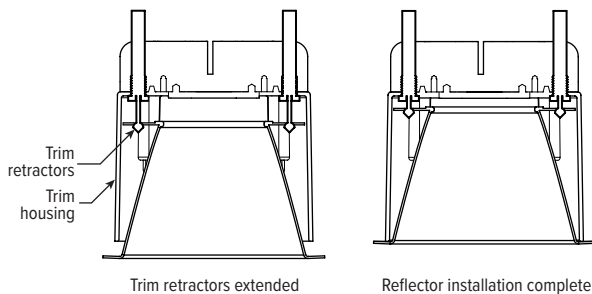


FIG D.6.3



- C. For reflector removal, work the process in reverse.

E. WIRING DIAGRAM

Make electrical connections in accordance with NEC and local codes.

Driver/power supply disconnects accept #12 – #16 AWG stranded or solid wire. Attach power supply and ground wires using UL listed wire connectors. Please consult factory for other driver configurations or emergency driver wiring diagrams.

