

LED CYLINDERS – SURFACE | WALL

INSTALLATION INSTRUCTIONS



WARNING:

- This product must be installed in accordance with the applicable installation code by a person familiar with the construction and operation of the product and the hazards involved.
- Make sure all electrical power is turned off while installing the fixture.
- This luminaire must be adequately grounded for protection against shock hazards and to assure proper operation.
- Disconnect power before servicing.
- LEDs are ESD (Electro Static Discharge) sensitive devices that can be easily damaged if the proper ESD mitigating steps are not taken.
- LEDs are very sensitive to mechanical damage. Caution must be taken to avoid damage to the LEDs.
- ESD or mechanical damage voids all warranties.
- Suitable for dry and damp locations.

FOR USE WITH:

- 4CR ▪ 4CRDI ▪ 4CS ▪ 4CSDI ▪ 6CR ▪ 6CRDI ▪ 8CR ▪ 8CRDI

TABLE OF CONTENTS

A. SURFACE MOUNT INSTALLATION.....	1	C. TRIMLOCK® INSTALLATION.....	3
B. WALL MOUNT INSTALLATION.....	2	D. WIRING DIAGRAM.....	3

A. SURFACE MOUNT INSTALLATION

FIG A.0.1

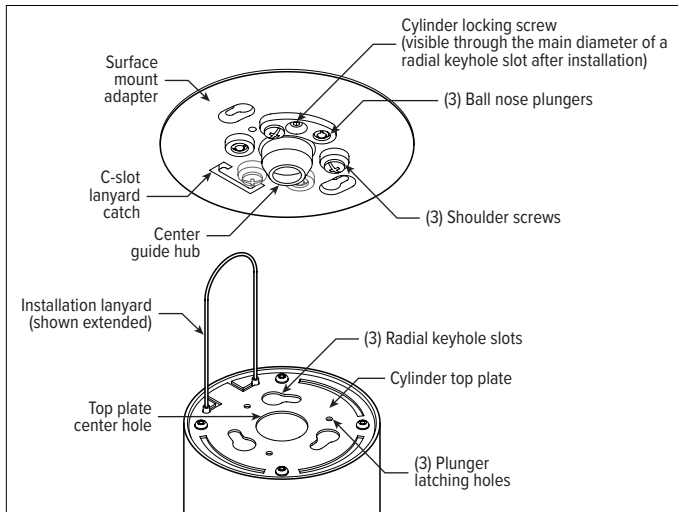
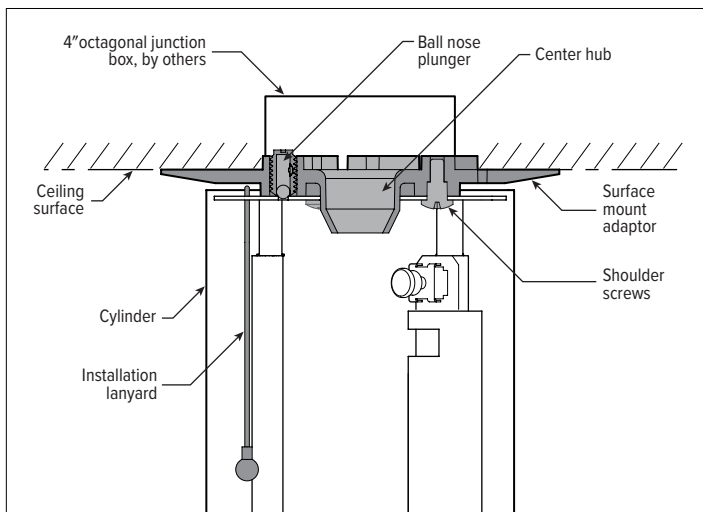


FIG A.0.2



STEP 1: Fixture preparation

- OPTIONAL: Remove downlight head to prepare for locking step.
- Install the surface mount adapter to the junction box.
- Pull the installation lanyard in the cylinder up into its extended position.
- Lift the cylinder up to the surface mount adapter and engage the installation lanyard to the c-slot lanyard catch for temporary fixture support.

STEP 2: Fixture wiring

- While the fixture is supported by the lanyard, make all necessary wiring terminations, including:
 - Power input and dimming control leads associated with standard cylinders
 - Low-voltage lead terminations needed for cylinders specified with remote driver box option.
 - See D. WIRING DIAGRAM on page 3.
- When completed, push all slack wires and splices down into the top plate center hole.

STEP 3: Fixture installation

- Disengage the installation lanyard from the c-slot lanyard catch then push it back down into the cylinder.
- Lift the cylinder up so that the center guide hub passes through the top plate center hole.
- Push up and rotate the cylinder until you feel the shoulder screws pass through the major diameters of the radial keyhole slots. While pressing firmly upward, rotate the cylinder clockwise (approximately 12 degrees) until the ball plungers click down into the plunger latching holes. TwistLock™ surface mounting is complete.

STEP 4: OPTIONAL: Lock the cylinder.

- Visually confirm, through the bottom of the cylinder, access to the locking screw. If not available, reposition the cylinder to a new TwistLock position. Use a 1/8" hex bit to back out the locking screw so it extends below the cylinder top plate. The cylinder is now locked. Reinstall downlight head and trim.
- NOTE:** 4CR and 4CS will require a deep reach tool, by others, to access the locking screw.

LED CYLINDERS – SURFACE | WALL

INSTALLATION INSTRUCTIONS

B. WALL MOUNT INSTALLATION

FIG B.4.1

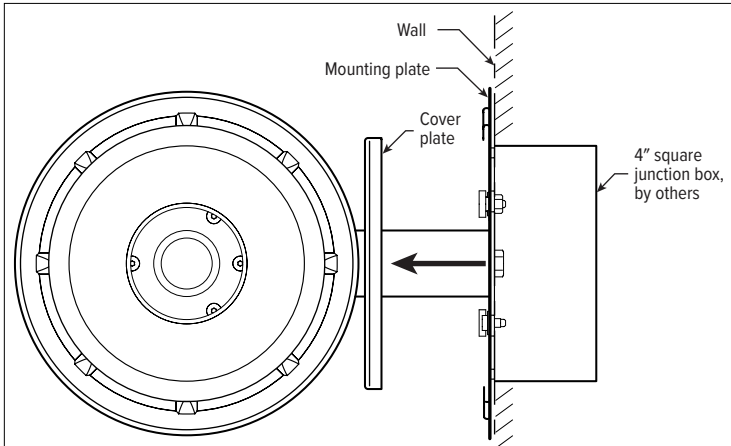


FIG B.4.3

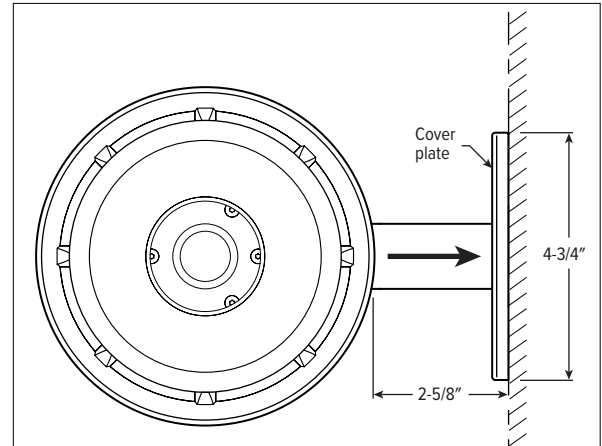


FIG B.4.2

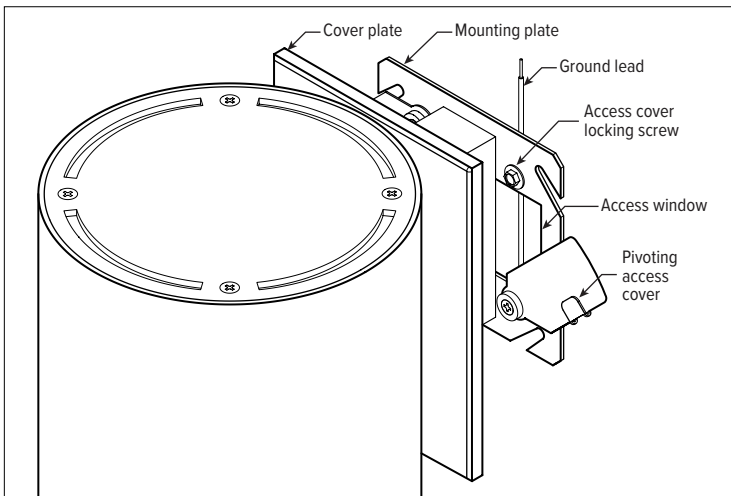
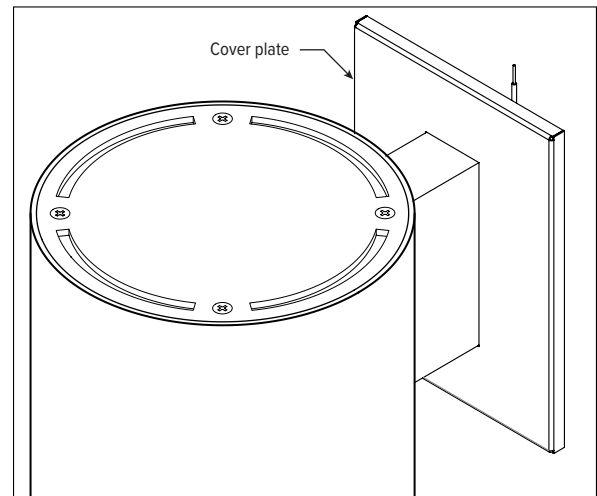


FIG B.4.4



STEP 1: Disengage the cover plate from the mounting plate and slide it up against the cylinder.

STEP 2: Loosen the access cover locking screw so that the pivoting access cover can swing open.

STEP 3: Pull all cylinder leads through the access window on either side of the mounting plate.

STEP 4: Pull all line leads from the 4" square junction box through the same access window, then attach the cylinder to the junction box using the mounting plate.
See D. WIRING DIAGRAM on page 3.

STEP 5: Push all terminated leads back through the access window into the junction box, then rotate the pivoting access cover to the closed position and tighten access cover locking screw.

STEP 6: Slide the cover plate back toward the wall until it is secured by magnets in the mounting plate.

LED CYLINDERS – SURFACE | WALL

INSTALLATION INSTRUCTIONS

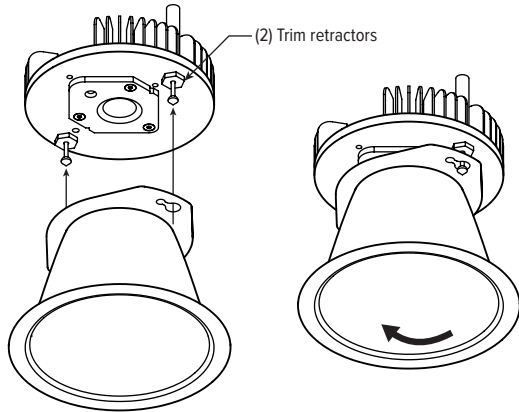
C. TRIMLOCK® INSTALLATION

FOR USE WITH 6CR, 6CRDI, 8CR, 8CRDI

- A. Align reflector with keyhole slots, then twist reflector. See FIG C.6.1.

NOTE: The trim housing (see FIG C.6.3.) has alignment features that will guide the reflector.

FIG C.6.1



- B. Pull reflector downward until audible click is heard, then release. See FIG C.6.2. – FIG C.6.3.

FIG C.6.2

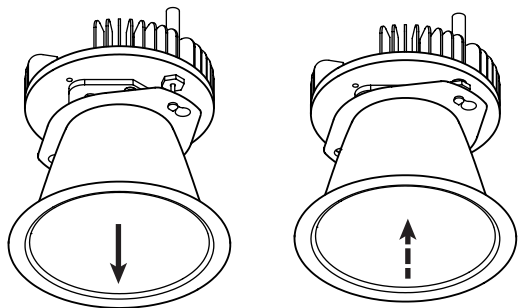
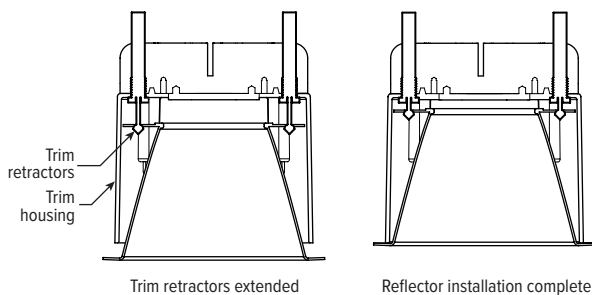


FIG C.6.3



- C. For reflector removal, work the process in reverse.

D. WIRING DIAGRAM

Make electrical connections in accordance with NEC and local codes.

