

READ AND FOLLOW ALL SAFETY INSTRUCTIONS!

IMPORTANT SAFEGUARDS:

When using electrical equipment, basic safety precautions should always be followed, including the following:

1. Do not use outdoors.
2. Do not let power supply cords touch hot surfaces.
3. Do not mount near gas or electrical heaters.
4. Equipment should be mounted in locations and at heights where it will not readily be subjected to tampering by unauthorized personnel.
5. Use caution when servicing batteries. Battery acid can cause burns to skin and eyes. If acid is spilled on skin or eyes, flush acid with fresh water and contact a physician immediately.
6. The use of accessory equipment not recommended by the manufacturer may cause an unsafe condition. Any modification or use of non-original components will void the warranty and product liability.
7. Do not use this equipment for other than intended use.
8. Servicing of this equipment should be performed by qualified service personnel only.
9. Disconnect AC power supply before servicing.
10. Unpack and check for concealed transit damage.
11. Report any transit damage to delivering carrier and file claim.



SAVE THESE INSTRUCTIONS!

WARNING:

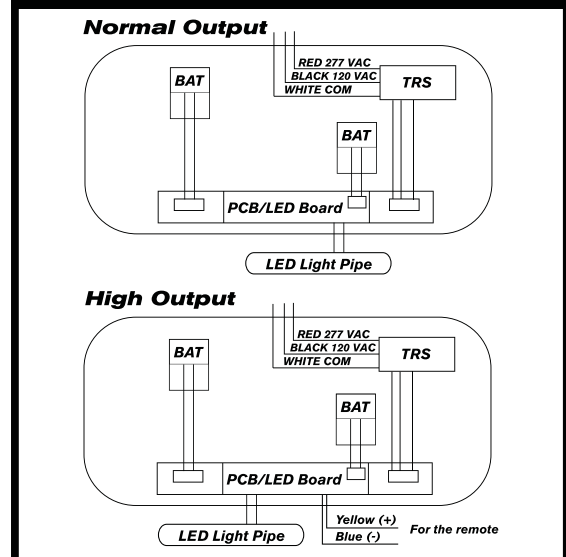
MAKE SURE THAT POWER IS OFF BEFORE MAKING ANY ELECTRICAL CONNECTIONS!

ELECTRICAL CONNECTION

- **WHITE:** Return for 120VAC or 277VAC wiring
- **BLACK:** Hot lead for 120VAC wiring
- **RED/ORANGE:** Hot lead for 277VAC wiring

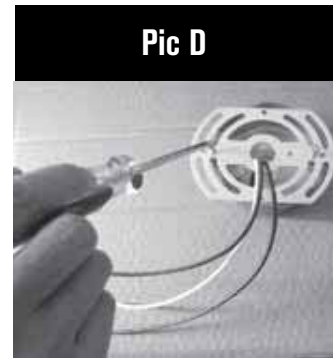
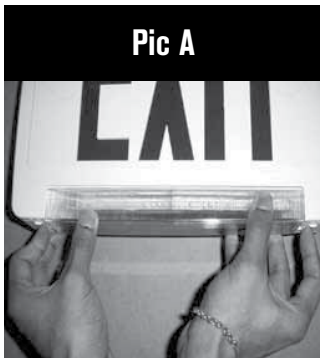
1. Make sure that all wires are carefully tucked away from the cavity behind the plastic inset.
2. Plug the mating connector of the battery to the PCB board.
3. Unused wires must be capped using enclosed wire nuts.

WIRING DIAGRAM



EXIT/EM/LP

INSTALLATION INSTRUCTIONS



Canopy Mounting (Top or End-Mount)

1. Start with pulling out the clear lens on the bottom of the unit. The lens snaps out quite easily. Refer to picture A.
2. Simply pop the face plate off. Pushing in the snap-in clips on the housing and pulling away the plate should help accomplish this. Refer to picture B.
3. Remove and set aside the mounting hardware kit. Pull out the mounting hole cover from the top or side of the sign. Feed the AC supply wires through the mounting hole and out of the housing.
4. Secure (snap in) the canopy to the housing, through the mounting cover hole. The AC supply wires need to be redirected through the hole on the canopy. Refer to picture C.
5. Determine the position the exit needs to be mounted (the way the face needs to be pointed). Use the included J-Box mounting plate and screws to accomplish this. Refer to Picture D.
6. Make connection with AC supply wires in the J-Box as described in the electrical connection section of this instruction sheet.
7. Now mount the sign to the J-Box plate with the screws provided and tighten securely.
8. Remove the proper chevron(s) from the exit legend(s) if necessary.
9. Attach battery jumper wire to PCB board and replace face plate back on unit, and snap the clear lens back on to complete installation.

Flush mounting (Back Mount)

1. Start with pulling out the clear lens on the bottom of the unit. The lens snaps out quite easily. Refer to picture A.
2. Simply pop the face plate off. Pushing in the snap-in clips on the housing and pulling away the plate should help accomplish this. Refer to picture B.
3. Remove and set aside the mounting hardware kit. Remove the center KO and also the requested KOs that will match the junction box.
4. Route the wires through the center knock-out. Make electrical connections inside the junction box as described in the electrical connection section of this instruction sheet. Push wires back against the back of the sign to minimize any of the wires interfering with the illumination of the letters.
5. Now mount the sign to the J-Box.
6. Remove the proper chevron(s) from the EXIT legend(s) if necessary.
7. Attach battery jumper wire to PCB board and replace face plate back on unit, and snap the clear lens back on to complete installation.

Removing Chevrons

1. Snap out the colored lens from the back of the faceplate.
2. Push out the required chevrons from the sign.

Note:

The LED Light Pipe on the bottom of the unit can be rotated to set the direction of the light output. To do this, use a flat screwdriver and turn the knob (next to the test switch) on the side of the unit.

INSTRUCTIONS FOR SELF-DIAGNOSTIC TEST:

Once the unit is properly installed according to the installation instruction sheet and AC power supplied, the dual color LED indicator will come ON and the self-diagnostic test function will automatically initiate. The LED indicates the unit's status. A STEADY GREEN LED indicates normal service; FLASHING GREEN indicates the unit is testing; GREEN/RED FLASHING indicates the battery is charging; RED (in different combinations) would indicate a service alert. Refer to the SERVICE INDICATION chart below for more details. The LED would be OFF when the unit is in emergency mode.

SELF-DIAGNOSTIC SERVICE

The self-diagnostic function is factory preset and performs the following:

- a. Monitoring of battery, battery charger, and lamps (both local and remote when applicable)
- b. Self-testing and a 30-second or longer discharge once every 30 days, after AC power has been supplied for a minimum of 24 hrs.
- c. Self-testing and a 30-minute or longer discharge once every 180 days, after AC power has been supplied for a minimum of 24 hrs.
- d. Self-testing and a 90-minute discharge once every 365 days, after AC power has been supplied for a minimum of 24 hrs.

SERVICE INDICATION

LED Indicator	Status
One flash red	Replace electronics
Two flash red	Replace battery
Three flash red	Replace red or green LED board
Four flash red	Replace lamp head board
Five flash red	Replace Remote lamp head or Remote lamp head disconnected
Steady red	Battery disconnected
Solid green	Trickle charge
Flashing green	In test
Red/Green flashing	Hi charge

MANUAL TESTING

The unit also provides for manual testing by pushing the test button in a specific pattern.

Action	Reaction & LED Indication
Push test button Once (within 2 seconds)	30-second test: FLASHING Green
Push test button Twice (within 2 seconds)	30-minute test: Green FLASHING twice
Push test button Three times (within 2 seconds)	90-minute test: Green FLASHING three times
Push test button and hold for 3 seconds (In test mode)	Cancels test. If self-test is cancelled it is recommended that a manual test of the same duration be performed at a more convenient time to ensure compliance
Push test button and hold for 6 seconds (In test mode)	System reset

WARNING:

- a) Make sure that power is OFF before making any electrical connections.
- b) Unused wires must be capped using enclosed wire nuts.