

# FLANGE KIT (FK)

## INSTALLATION INSTRUCTIONS

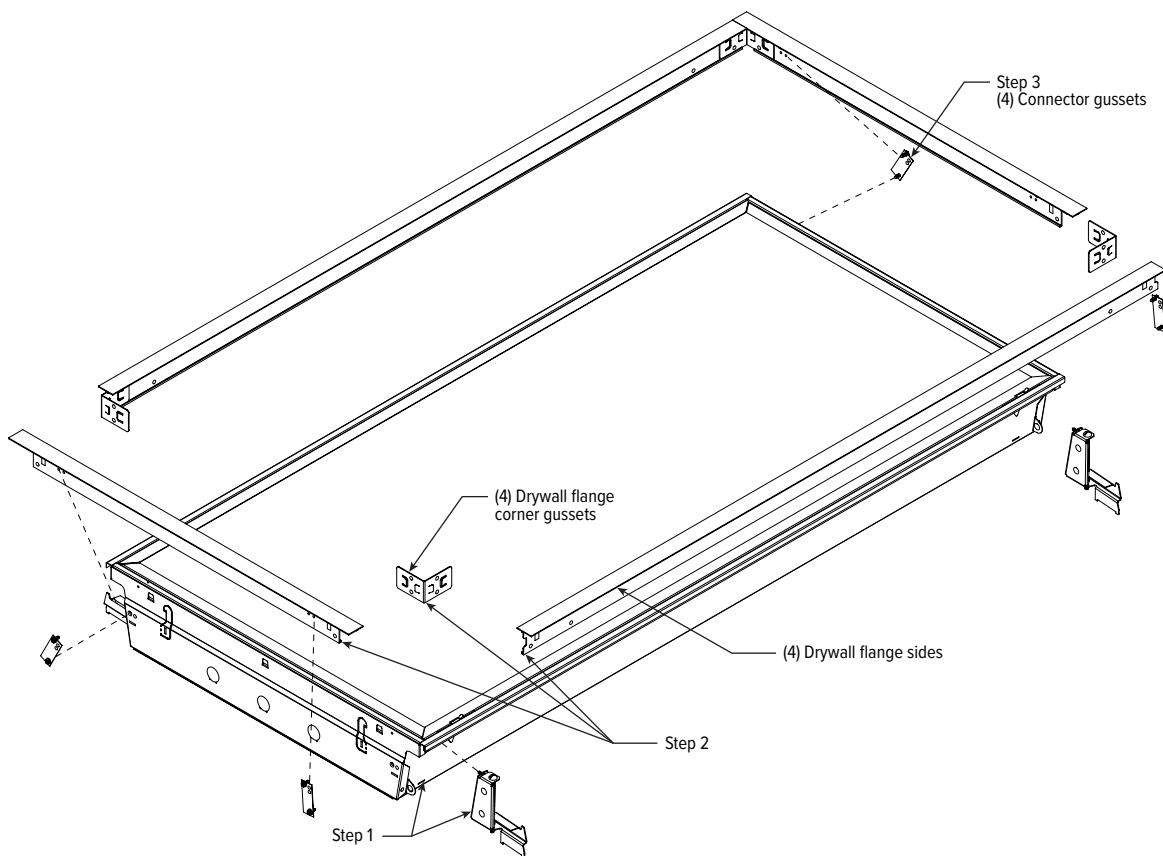


### WARNING:

- This product must be installed in accordance with the applicable installation code by a person familiar with the construction and operation of the product and the hazards involved.
- Make sure all electrical power is turned off while installing the fixture.
- This luminaire must be adequately grounded for protection against shock hazards and to assure proper operation.
- Disconnect power before servicing.
- LEDs are ESD (Electro Static Discharge) sensitive devices that can be easily damaged if the proper ESD mitigating steps are not taken.
- LEDs are very sensitive to mechanical damage. Caution must be taken to avoid damage to the LEDs.
- ESD or mechanical damage voids all warranties.
- Suitable for dry and damp locations.

### FOR USE WITH:

- 50G
- HE3G
- V50G
- DILG
- HETLG
- VDILG



### INSTALLATION

**STEP 1:** Slide tab into slot of the fixture housing, then install screw to secure swing out bracket in place. Repeat on other corners.

**STEP 2:** Slide drywall flange corner gusset into groove on drywall flange side and ends. Repeat three times, then install over fixture.

**STEP 3:** Attach connector gusset to fixture housing then to DFK kit (flange kit).

**STEP 4:** Prepare the ceiling opening for the fixture.

**NOTE:** Do not exceed the maximum recommended ceiling opening. Refer to the specification sheet for dimensions. The supporting frame work, trusses, etc. can not exceed 3-3/8" in height.

# FLANGE KIT (FK)

## INSTALLATION INSTRUCTIONS

**STEP 5:** Locate the access plate on the back of the fixture and connect flex to the fixture, but do not make electrical connections.

**STEP 6:** Install the fixture(s) into the ceiling system. With assistance, lift the fixture into the prepared ceiling opening.

**NOTE:** Additional ceiling support may be used around the ceiling opening to aid in fixture installation.

**STEP 7:** Once the fixture is secured into the ceiling system, make electrical connections per NEC and all applicable local electrical codes.

**FIG 7.1** Make electrical connections in accordance with NEC and local codes.

