

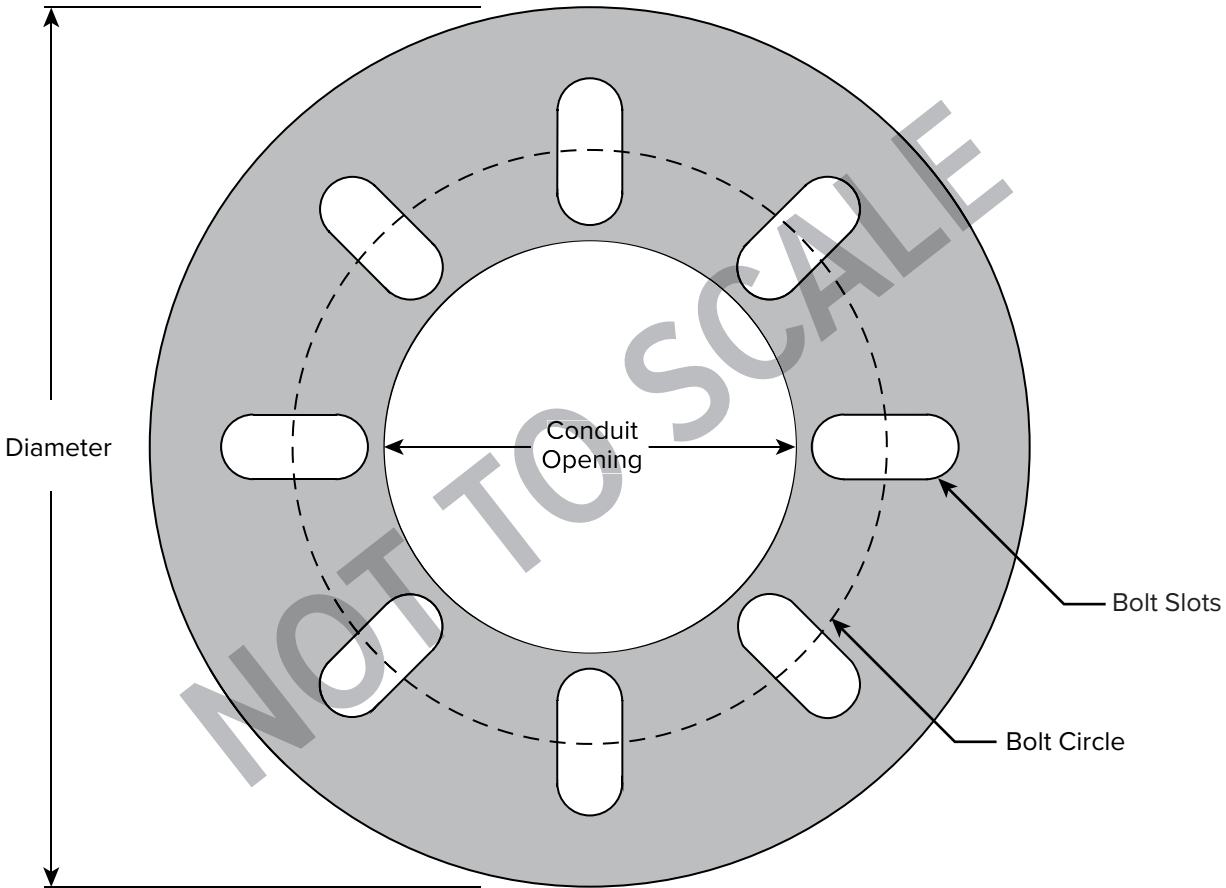
HHNF | HHNR POLE

MOUNTING TEMPLATE



NOTE:

This sample template is not to scale and is not intended for actual use on-site. Scaled template will be shipped with every pole or anchor bolt order.



SERIES	POLE HEIGHT	STRUCTURAL BASE				CONDUIT OPENING	ANCHOR BOLTS			BOLT SLOT SIZE
		BOLT CIRCLE		DIA.	THK.		BOLT SIZE	PROJ.	±	
		DIA.	±							
HHNF/HHNR	8' - 18'	11-1/2"	1-1/2"	17"	3/4"	7-7/8"	3/4" x 17" x 3"	3-1/2"	1/4"	1-1/4" x 2-13/16"