

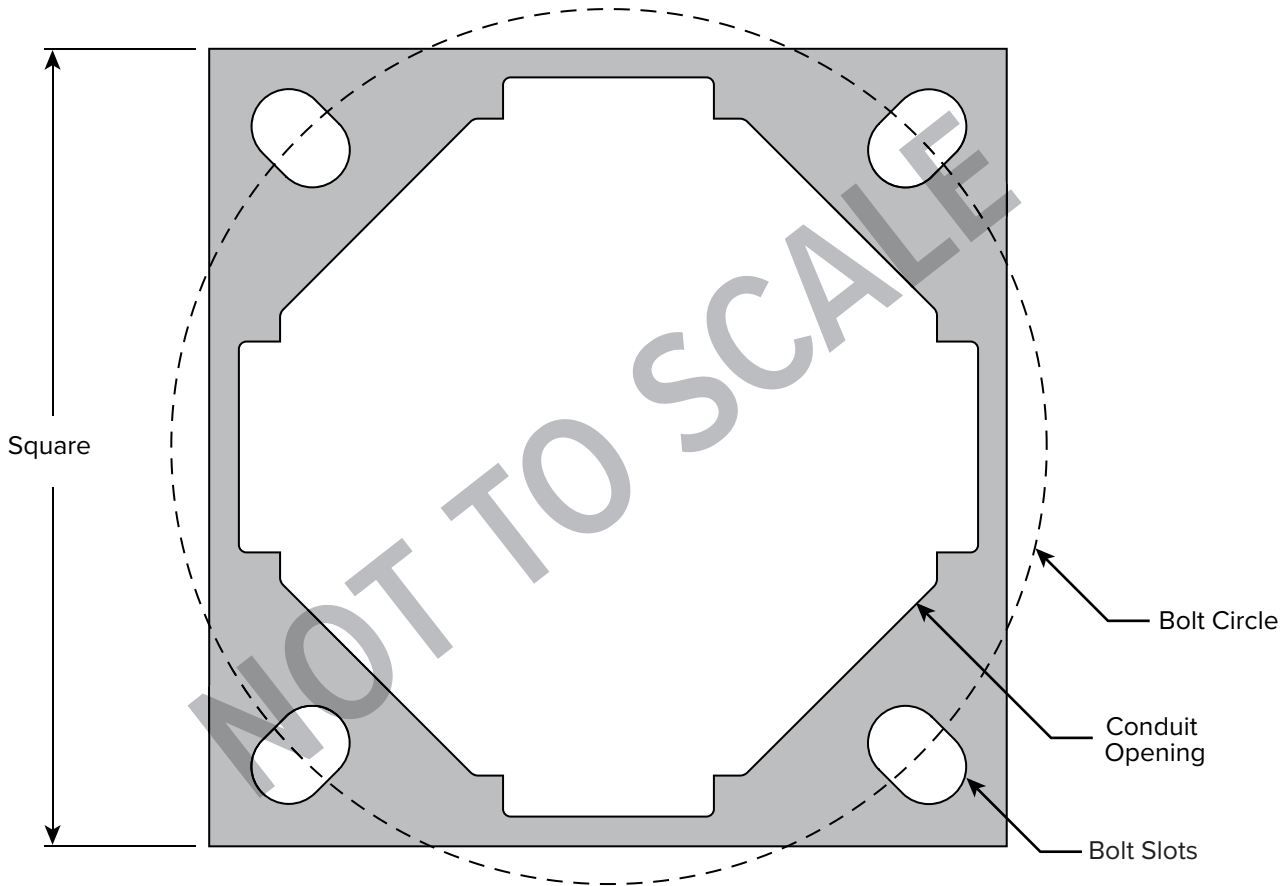
HWLF | HWLR POLE

MOUNTING TEMPLATE



NOTE:

This sample template is not to scale and is not intended for actual use on-site. Scaled template will be shipped with every pole or anchor bolt order.



SERIES	POLE HEIGHT	STRUCTURAL BASE				ANCHOR BOLTS			BOLT SLOT SIZE
		BOLT CIRCLE		SQ.	THK.	BOLT SIZE	PROJ.	±	
		DIA.	±						
HWLF/HWLR	8' - 14'	13-1/8"	1/2"	12"	3/4"	3/4" x 17" x 3"	3-1/2"	1/4"	1-1/8" x 1-5/8"