

JUNCTION BOX CABLE

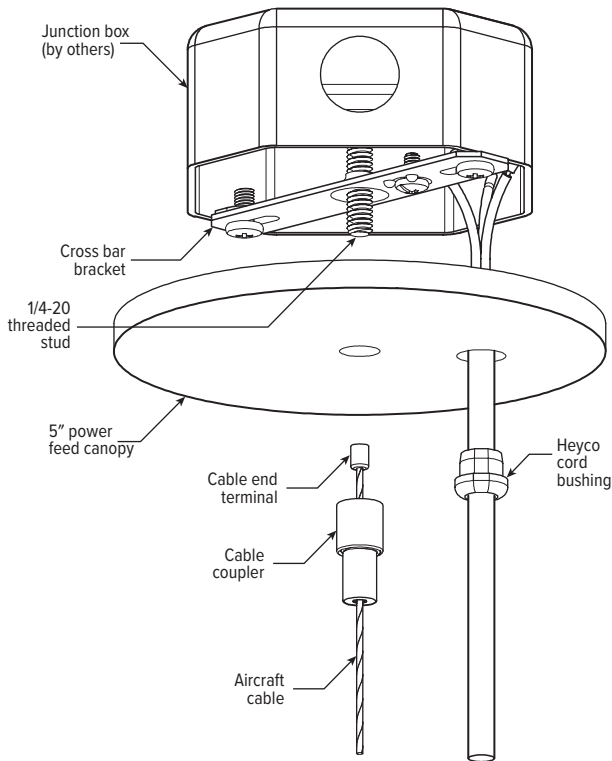
MOUNTING INSTALLATION INSTRUCTIONS



WARNING:

- This product must be installed in accordance with the applicable installation code by a person familiar with the construction and operation of the product and the hazards involved.
- Make sure all electrical power is turned off while installing the fixture.
- This luminaire must be adequately grounded for protection against shock hazards and to assure proper operation.
- Disconnect power before servicing.

- LEDs are ESD (Electro Static Discharge) sensitive devices that can be easily damaged if the proper ESD mitigating steps are not taken.
- LEDs are very sensitive to mechanical damage. Caution must be taken to avoid damage to the LEDs.
- ESD or mechanical damage voids all warranties.
- Suitable for dry and damp locations.



STEP 1: Mount the cross bar bracket to the junction box.

STEP 2: Insert the 1/4-20 stud into the cross bar.

STEP 3: Holding luminaire in place, make electrical connections.

STEP 4: Place the canopy cover with the 1/4-20 stud, centered.

STEP 5: Raise luminaire and thread cable coupler onto the 1/4-20 stud.

NOTE:

- 2 inch non-feed canopy supplied for opposite end.
- No junction box required for 2" canopy.
- Only 1/4-20 threaded material needed for non-feed mounting.
- Repeat steps 4 and 5 for non-feed mounting point.

