

# LRXD SERIES

## INSTALLATION INSTRUCTIONS



### WARNING:

- This product must be installed in accordance with the applicable installation code by a person familiar with the construction and operation of the product and the hazards involved.
- Make sure all electrical power is turned off while installing the fixture.
- This luminaire must be adequately grounded for protection against shock hazards and to assure proper operation.
- Disconnect power before servicing.
- LEDs are ESD (Electro Static Discharge) sensitive devices that can be easily damaged if the proper ESD mitigating steps are not taken.
- LEDs are very sensitive to mechanical damage. Caution must be taken to avoid damage to the LEDs.
- ESD or mechanical damage voids all warranties.
- Suitable for dry and damp locations.

### CONTENTS

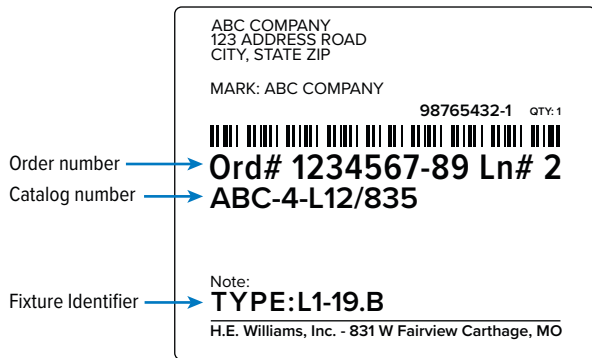
STEP 1 PLANNING.....	1	STEP 4 HARDPAN.....	4
STEP 1 PREPARATION.....	2	STEP 5 WIRING.....	4
STEP 2 MOUNTING POINTS .....	2	STEP 6 SUSPEND FIXTURES.....	5
STEP 3 T-BAR .....	3	STEP 7 FINISHING.....	6

### TOOLS REQUIRED

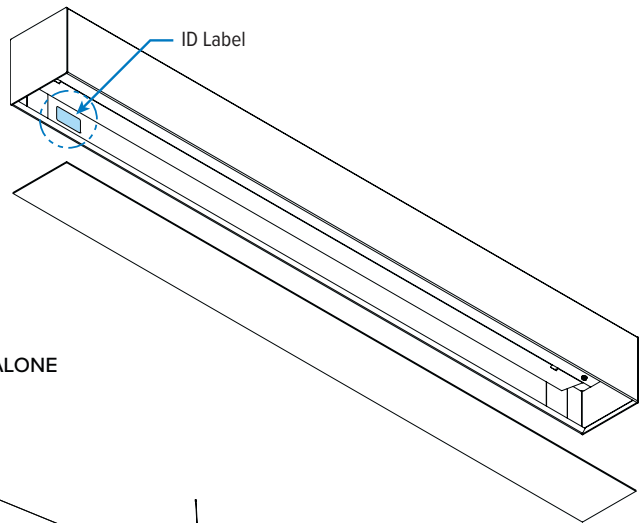
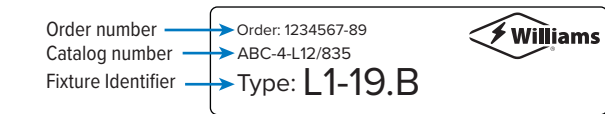
- Philips screwdriver, by others
- 12-gauge or stronger steel ceiling support wire, by others
- 1/4 x 20 screw or bolt to secure j-box to the t-bar, by others
- 2" threaded nipple with lock washers, by others
- Tool to cut lens, by others

### STEP 1 PLANNING

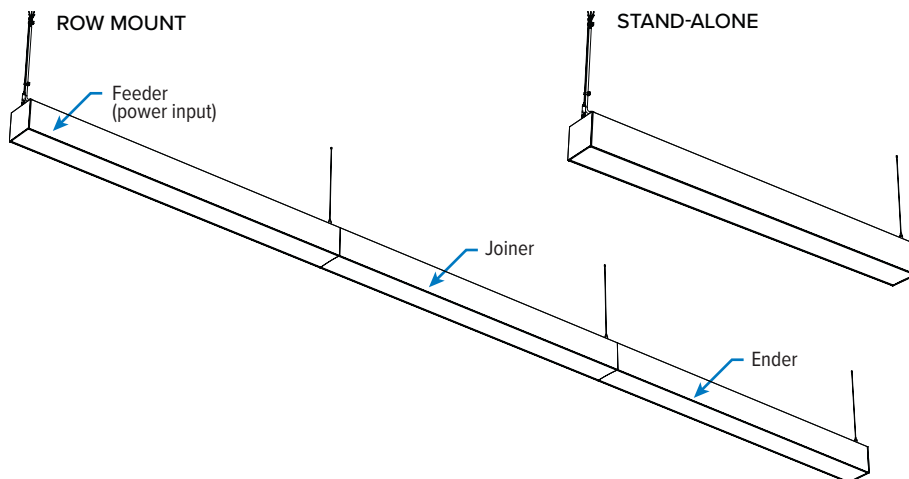
A. Look for linear ID label on packaging:



B. Identify all linear luminaires by their ID label:



C. Sort row mount fixtures and plan mounting method.

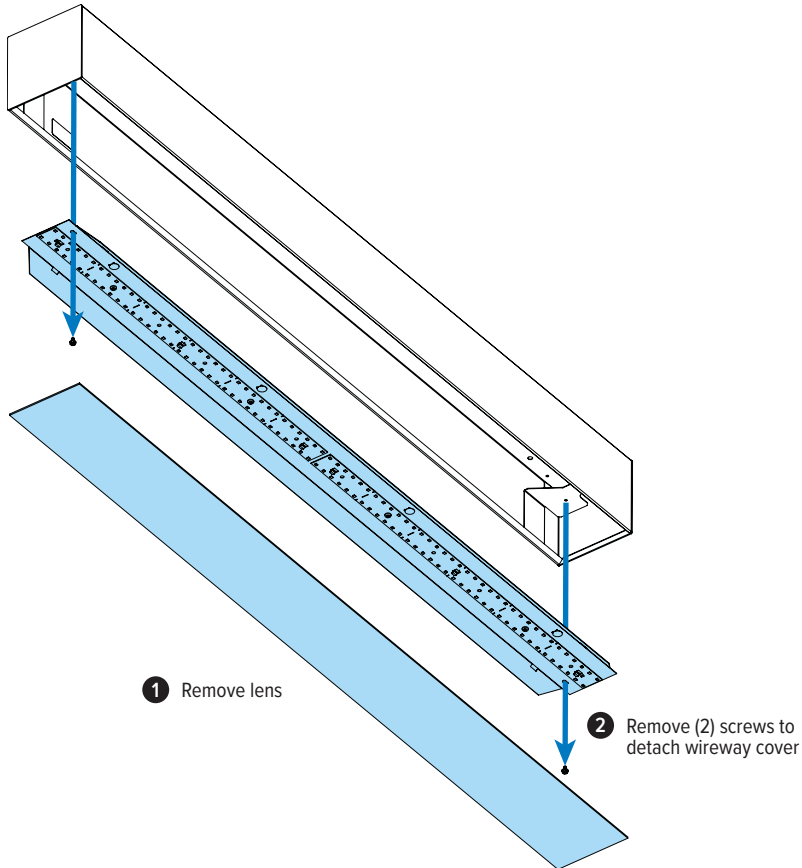


# LRXD SERIES

## INSTALLATION INSTRUCTIONS

### STEP 1 PREPARATION

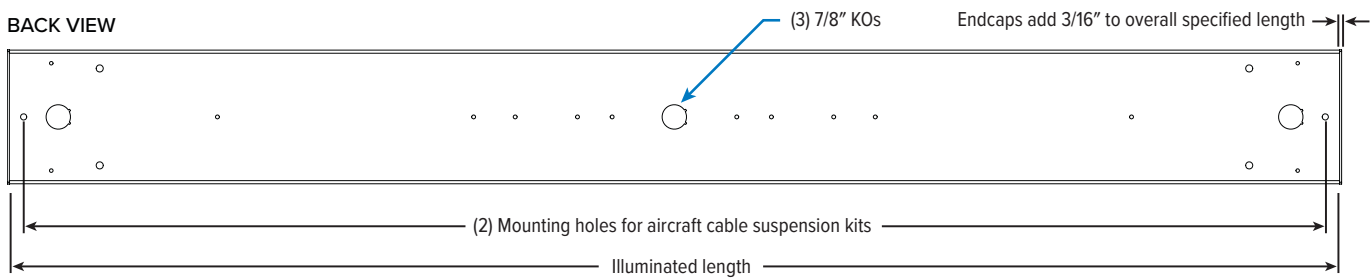
A. Remove lens and wireway cover.



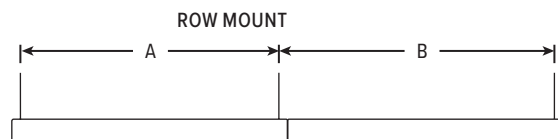
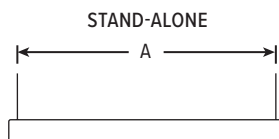
### STEP 2 MOUNTING POINTS

A. Plan mounting method

BACK VIEW



	ILLUMINATED LENGTH	MOUNTING HOLES	
		A	B
2'	24"	23"	24"
4'	48"	47"	48"
6'	72"	71"	72"
8'	96"	95"	96"



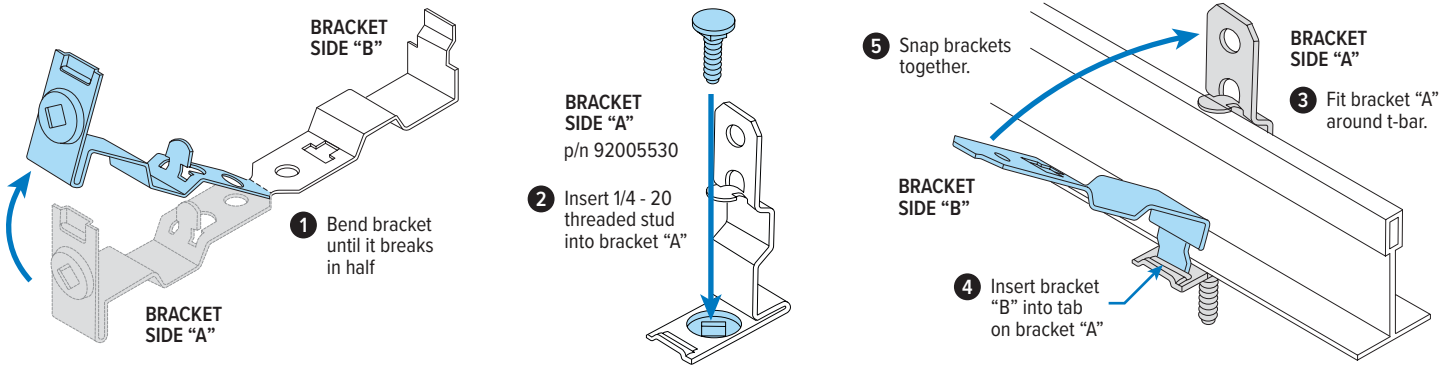
# LRXD SERIES

## INSTALLATION INSTRUCTIONS

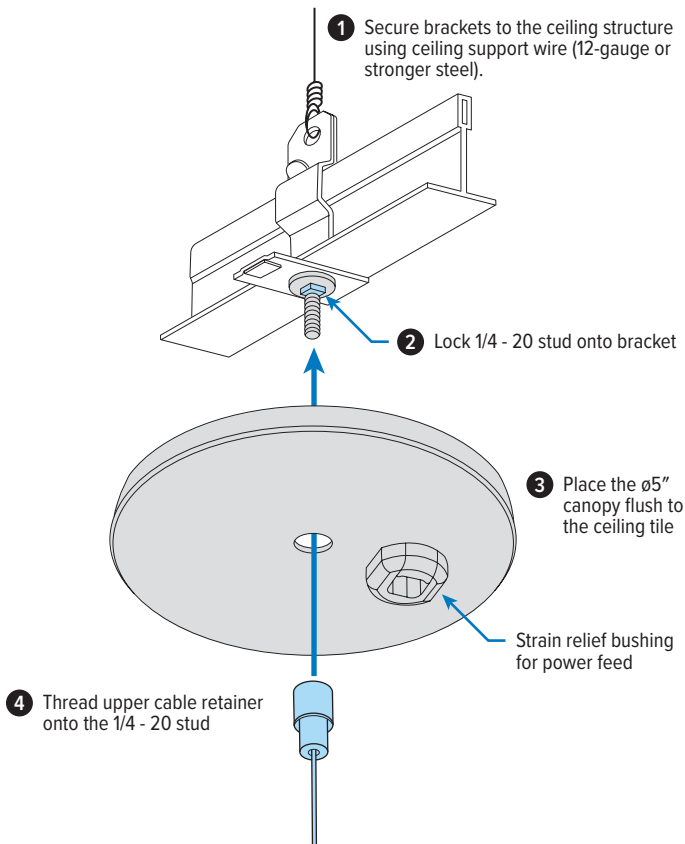
### STEP 3 T-BAR

#### T-BAR CEILING INSTALLATION ONLY.

A. Prepare bracket, then install around t-bar. Brackets must be placed exactly at each mounting point.

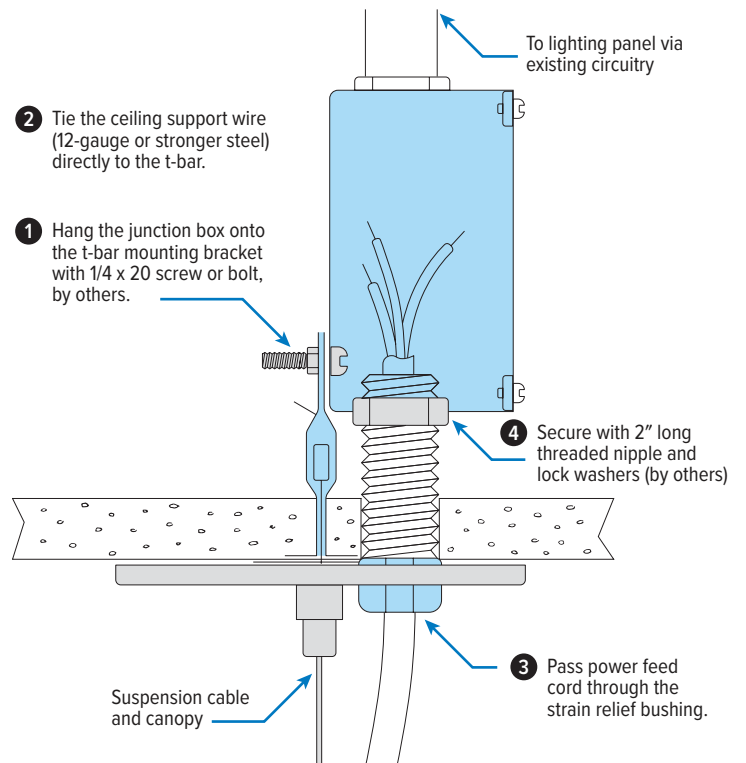


B. Install canopies.



C. Connect power feed to junction box.

For wiring diagrams, see STEP 5 on page 4.



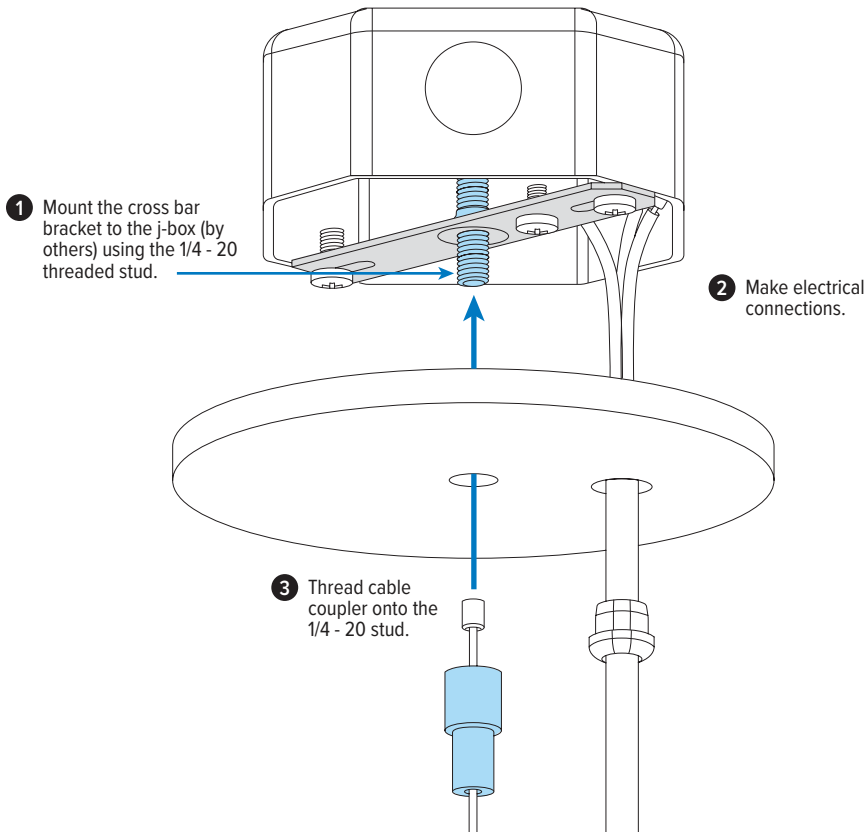
# LRXD SERIES

## INSTALLATION INSTRUCTIONS

### STEP 4 HARDPAN

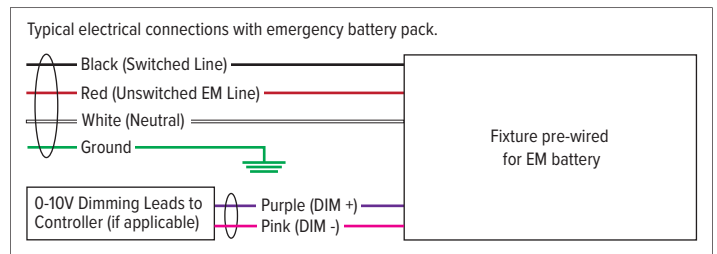
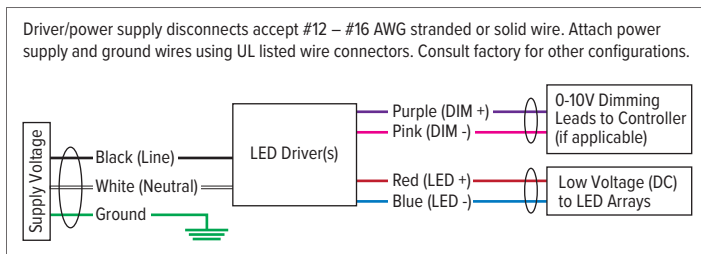
SHEETROCK/HARDPAN CEILING INSTALLATION ONLY.

A. Secure 5" canopy to junction box.



### STEP 5 WIRING

A. Make electrical connections in accordance with NEC and local codes.



# LRXD SERIES

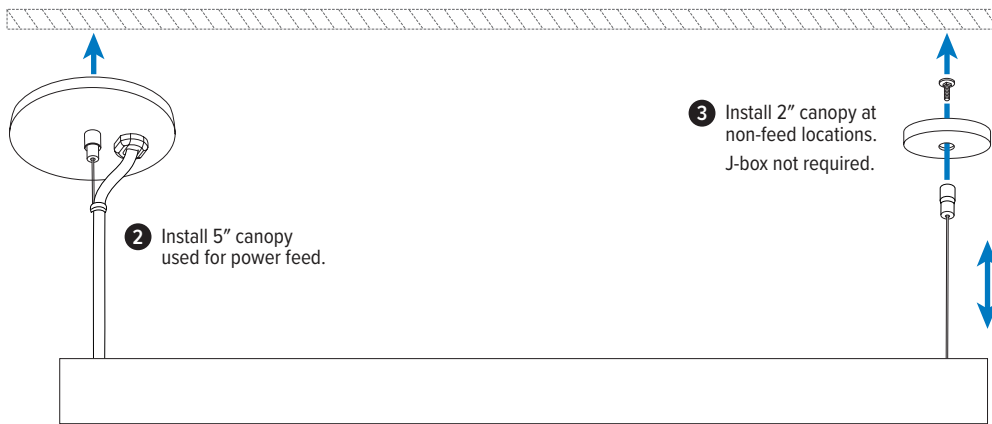
## INSTALLATION INSTRUCTIONS

### STEP 6 SUSPEND FIXTURES

For safety, always support the weight of the fixture. Do not leave a fixture hanging by only one end while working.

#### A. Install stand-alone fixture, or first fixture in row.

- Secure suspension locations to the ceiling structure.  
Two suspension cables are required for the stand-alone or first fixture in each row.

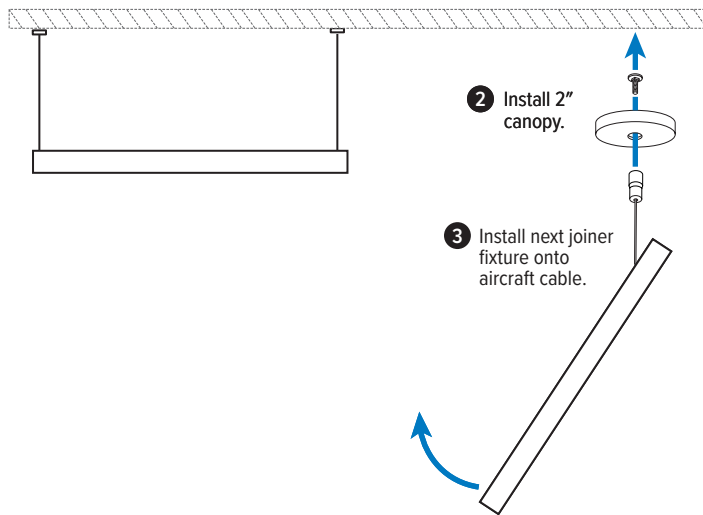


- Hook each end of the light fixture onto the suspension cables.

- Install 2" canopy at non-feed locations. J-box not required.
  - Install 10-32 flange nut, provided, onto the threaded cable end. Adjust up or down to level the fixture.
  - Secure the fixture with (1) 10-32 flange nut, provided.
- Note: Aircraft cables have 1/4" - 20 female threads. Use a threaded stud to convert cable to 1/4" - 20 male threads (provided).

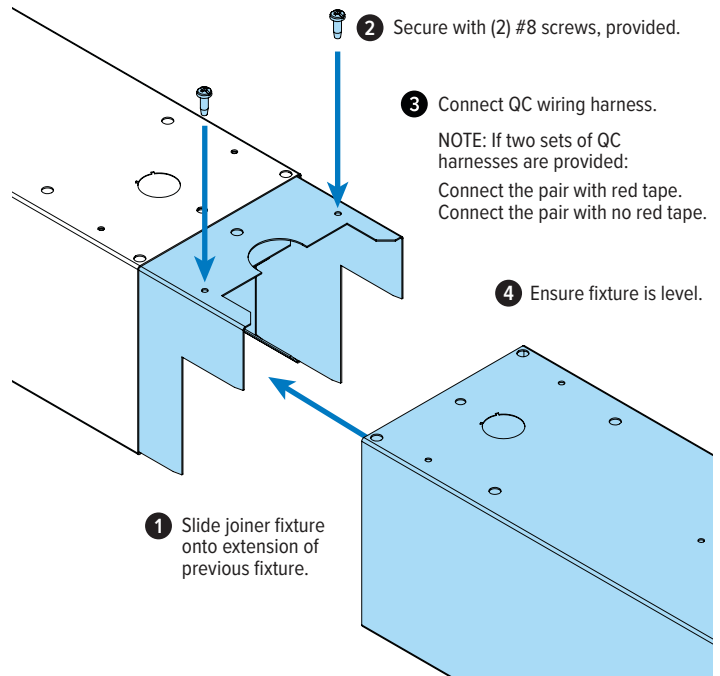
#### B. Row mount only: install joiner fixtures.

- Secure suspension location to the ceiling structure.  
Only one suspension cable is required for joiner fixtures.



- Install 2" canopy.
- Install next joiner fixture onto aircraft cable.

#### C. Row mount only: attach joiner fixture to row.



- Slide joiner fixture onto extension of previous fixture.
- Secure with (2) #8 screws, provided.
- Connect QC wiring harness.  
NOTE: If two sets of QC harnesses are provided: Connect the pair with red tape. Connect the pair with no red tape.
- Ensure fixture is level.

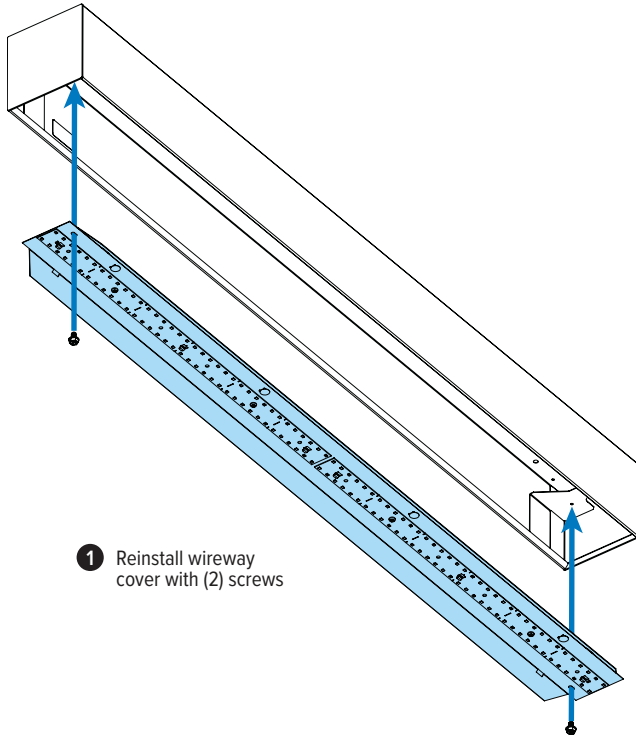
#### D. Repeat B and C until end of row.

# LRXD SERIES

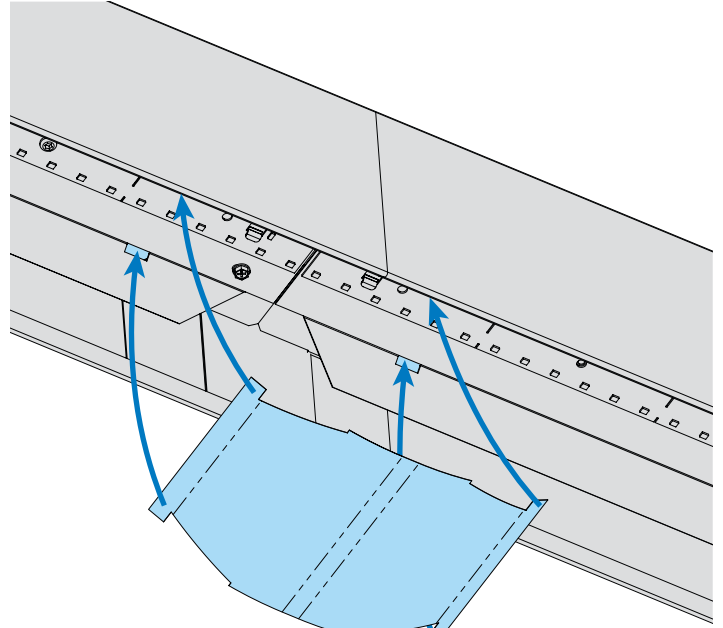
## INSTALLATION INSTRUCTIONS

### STEP 7 FINISHING

A. Reinstall wireway cover.

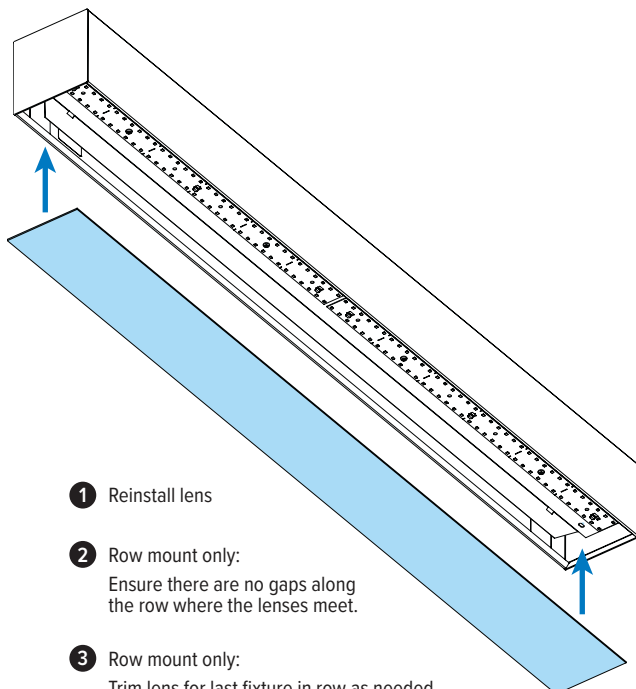


B. Row mount only: place LED shields.



- 1 Add LED shields where lenses join to prevent light leak from showing between lens seams.  
Insert (4) tabs into slots.

C. Reinstall lens.



- 1 Reinstall lens
- 2 Row mount only:  
Ensure there are no gaps along the row where the lenses meet.
- 3 Row mount only:  
Trim lens for last fixture in row as needed.