

MCTA | MCTAB SERIES

INSTALLATION INSTRUCTIONS



WARNING:

- This product must be installed in accordance with the applicable installation code by a person familiar with the construction and operation of the product and the hazards involved.
- Make sure all electrical power is turned off while installing the fixture.
- This luminaire must be adequately grounded for protection against shock hazards and to assure proper operation.
- Disconnect power before servicing.
- LEDs are ESD (Electro Static Discharge) sensitive devices that can be easily damaged if the proper ESD mitigating steps are not taken.
- LEDs are very sensitive to mechanical damage. Caution must be taken to avoid damage to the LEDs.
- ESD or mechanical damage voids all warranties.
- Suitable for wet location under covered ceiling.

TABLE OF CONTENTS

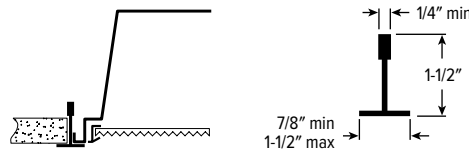
NEMA TYPE "G" INSTALLATION (FOR USE WITH MCTA ONLY).....1

NEMA TYPE "F" INSTALLATION 2

NEMA TYPE "G" INSTALLATION (FOR USE WITH MCTA ONLY)

WHAT IS A NEMA "G" (GRID) FIXTURE?

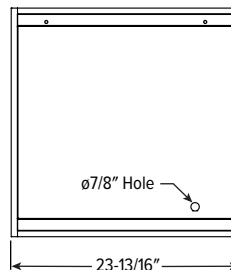
All Williams grid fixtures (NEMA Type "G") are designed to fit securely into a standard NEMA Type "G", 1" nominal T-bar system.



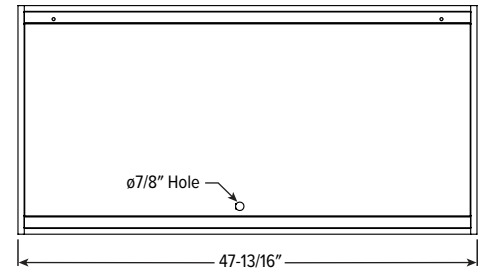
- STEP 1:** Follow the steps below to install the fixture(s) into a ceiling system:
- Raise the fixture through the ceiling opening and rest the fixture in the grid system.
 - Center the fixture within the opening.
 - Use earthquake clips or integral T-bar clips to secure the fixture to the ceiling structure for added stability.
 - Refer to local codes for other installation requirements.
 - Make electrical connections per NEC and all applicable local electrical codes. See FIG 2.3)
- NOTE:** Supply wires are brought out of access hole by factory. No need to open fixture.

BACKVIEWS

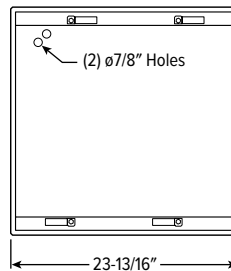
MCTA 2x2



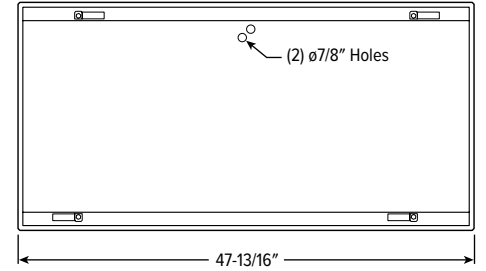
2x4



MCTAB 2x2



2x4

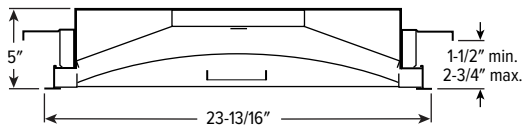


MCTA | MCTAB SERIES

INSTALLATION INSTRUCTIONS

NEMA TYPE "F" INSTALLATION

FOR USE WITH MCTA AND MCTAB



For continuous row mounting, add 47-13/16" for each additional fixture to obtain ceiling opening, 3/4" between end plates.

	ROUGH-IN	FINISH TRIM SIZE
2x2	22-15/16" x 22-13/16"	23-13/16" x 23-13/16"
2x4	22-15/16" x 46-13/16"	23-13/16" x 47-13/16"

- STEP 1:** Follow the steps below to complete necessary electrical connections:
- A.** Remove door frame and lens assembly to expose internal components.
 - B.** Make electrical connections per NEC and all applicable local electrical codes. See FIG 2.3
- NOTE:** Supply wires are brought out of access hole by factory. No need to remove wireway cover.

FIG 2.3

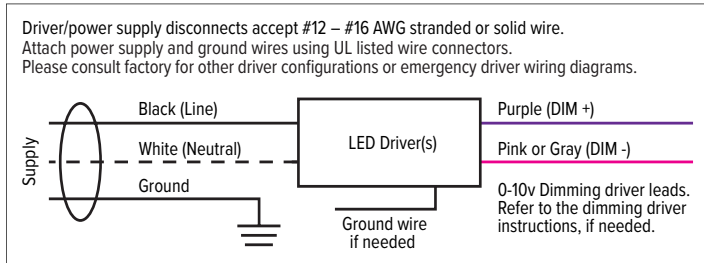


FIG 2.4

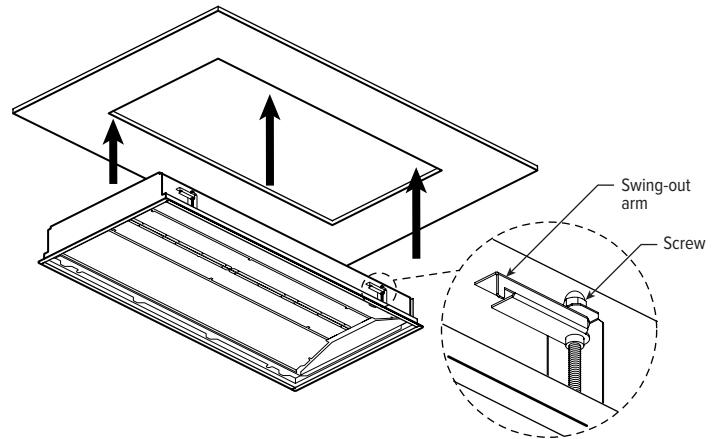
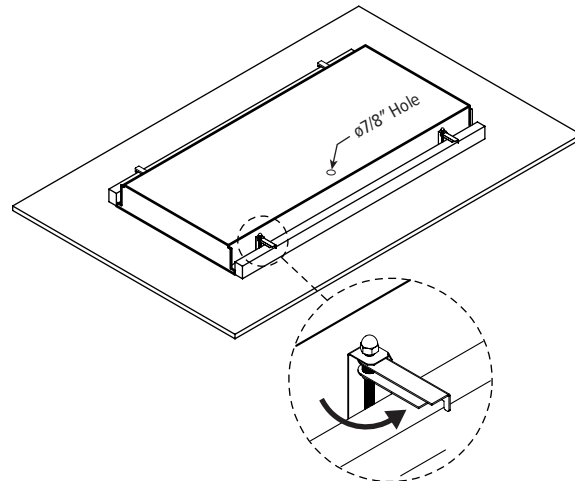


FIG 2.5



- STEP 2:** Follow the steps below to install the fixture(s) into a ceiling system:
- A.** Make sure the swing-out arms are collapsed, setting against the fixture housing. (See FIG 2.4). With assistance, lift the fixture into the prepared ceiling opening.
 - B.** Locate the swing-out arm screws in the fixture housing, near where the door frame would rest in the fixture. (See FIG 2.4). Tighten the swing-out screws to engage the swing-out arms so that they clamp onto the ceiling support structure. See (See FIG 2.5).
- NOTE:** Additional ceiling support may be used around the ceiling opening to aid in fixture installation.
- C.** Once the fixture is secured and locked in place, replace the door frame and lens assembly.