

MX4 CORNER

INSTALLATION INSTRUCTIONS



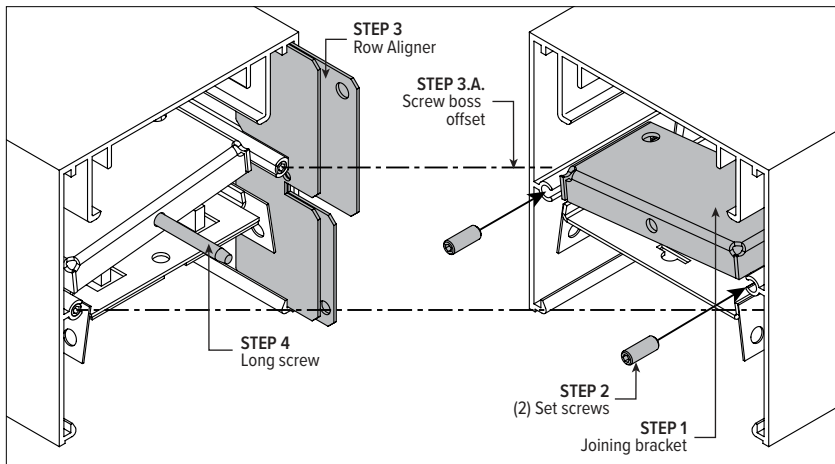
WARNING:

- This product must be installed in accordance with the applicable installation code by a person familiar with the construction and operation of the product and the hazards involved.
- Make sure all electrical power is turned off while installing the fixture.
- This luminaire must be adequately grounded for protection against shock hazards and to assure proper operation.
- Disconnect power before servicing.
- LEDs are ESD (Electro Static Discharge) sensitive devices that can be easily damaged if the proper ESD mitigating steps are not taken.
- LEDs are very sensitive to mechanical damage. Caution must be taken to avoid damage to the LEDs.
- ESD or mechanical damage voids all warranties.
- Suitable for dry and damp locations.

FOR USE WITH:

- MX4
- MX4R
- MX4S

FIG 1.1 Offset screw boss details



- STEP 1:** Install joining bracket by sliding into screw boss of mating fixture in orientation shown.
- STEP 2:** Install (2) set screws into screw boss to captivate joining bracket.
- STEP 3:** Install row aligner
- A.** If screw bosses are offset in row configuration, use provided aligner as one piece per leg (4 total). See FIG 1.1.
 - B.** If screw bosses align in row configuration, separate provided aligner into 2 pieces and use each piece individually in each section of each leg. See FIG 1.2.
- STEP 4:** Join fixtures and draw together using long 10-32 screw provided. (Do not overtighten).

FIG 1.2 Aligned screw boss details

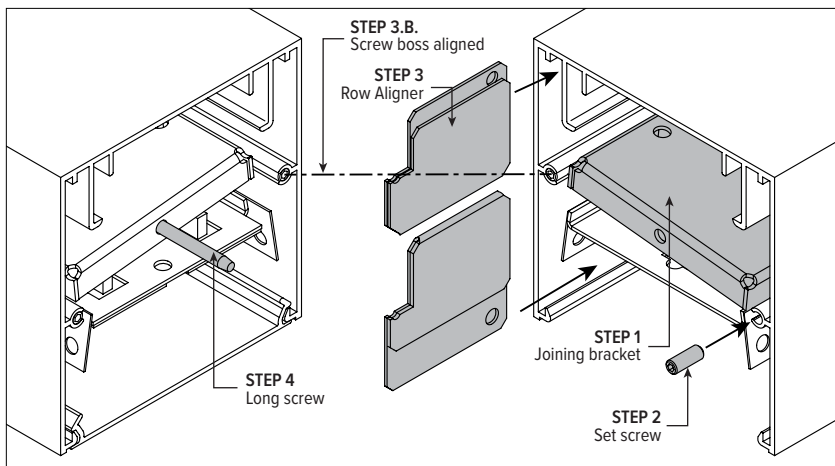


FIG 1.3 Make electrical connections in accordance with NEC and local codes.

