

NEMA TYPE "G"

INSTALLATION INSTRUCTIONS



WARNING:

- This product must be installed in accordance with the applicable installation code by a person familiar with the construction and operation of the product and the hazards involved.
- Make sure all electrical power is turned off while installing the fixture.
- This luminaire must be adequately grounded for protection against shock hazards and to assure proper operation.
- Disconnect power before servicing.
- LEDs are ESD (Electro Static Discharge) sensitive devices that can be easily damaged if the proper ESD mitigating steps are not taken.
- LEDs are very sensitive to mechanical damage. Caution must be taken to avoid damage to the LEDs.
- ESD or mechanical damage voids all warranties.
- Suitable for dry and damp locations. Suitable for dry locations when specified with FieldSELECT™.

FOR USE WITH:

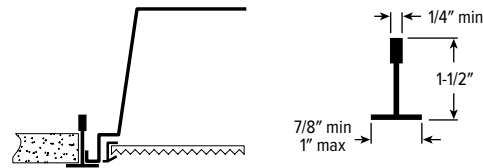
- | | | | |
|-------|--------|-------|--------|
| ▪ 50 | ▪ AT3 | ▪ LPT | ▪ V50 |
| ▪ AHT | ▪ DIL | ▪ LT | ▪ VDIL |
| ▪ AP | ▪ FT | ▪ PT | |
| ▪ AT1 | ▪ HET | ▪ RW | |
| ▪ AT2 | ▪ HETL | ▪ SQR | |

TABLE OF CONTENTS

FOR USE WITH:.....	1	C. LT INSTALLATION.....	2
WHAT IS A NEMA "G" (GRID) FIXTURE?.....	1	D. FIELDSELECT INSTALLATION	2
A. NEMA TYPE "G" INSTALLATION	1	E. FIELDSELECT EM BATTERY KIT	3
B. EARTHQUAKE CLIP INSTALLATION	2		

WHAT IS A NEMA "G" (GRID) FIXTURE?

All Williams grid fixtures (NEMA Type "G") are designed to fit securely into a standard NEMA Type "G", 1" nominal T-bar system.



A. NEMA TYPE "G" INSTALLATION

- STEP 1:** Follow the steps below to install the fixture(s) into a NEMA Type "G" ceiling system:
- Raise the fixture through the ceiling opening and rest the fixture in the grid system.
 - Center the fixture within the opening.
 - Use earthquake clips or integral T-bar clips to secure the fixture to the ceiling structure for added stability.
 - Refer to local codes for other installation requirements.

STEP 2: Once the fixture is installed into the ceiling system, follow the steps below to complete necessary electrical connections per NEC and all applicable local electrical codes. See FIG 2.0.1 and FIG 2.0.2

NOTE: Refer to individual product specification sheets for further information.

FIG 2.0.1

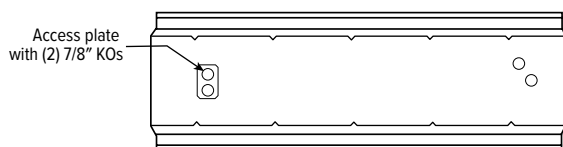
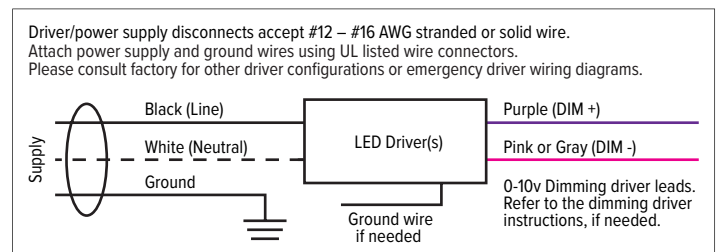


FIG 2.0.2



NEMA TYPE "G"

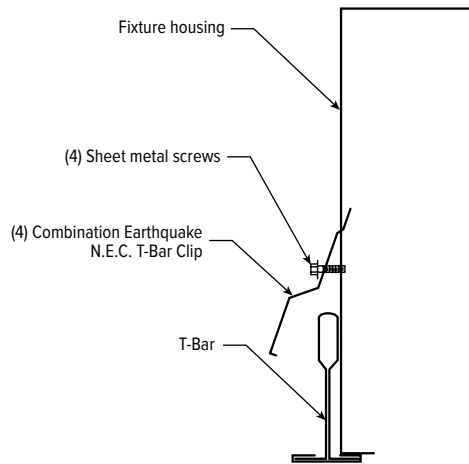
INSTALLATION INSTRUCTIONS

B. EARTHQUAKE CLIP INSTALLATION

NOTE: Factory-installed combination earthquake and N.E.C. T-bar clips are used to secure Williams light fixtures to the following NEMA ceiling types: G, SS, NFG.

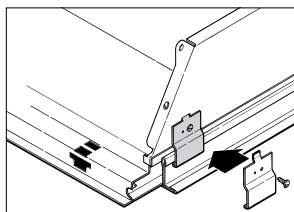
STEP 1: Before putting the fixture into the grid ceiling, loosen all 4 factory installed earthquake clips. See FIG 1.B.1

FIG 1.B.1



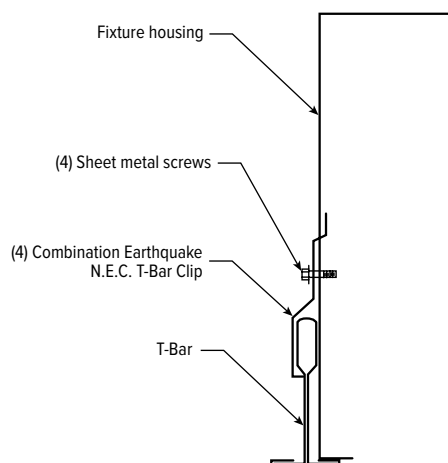
STEP 2: Lower the fixture into the grid, making sure that the earthquake clips are on the outside of the T-Bar. See FIG 2.B.1

FIG 2.B.1



STEP 3: Tighten all 4 earthquake clips completely so that they grip the T-Bar and prevent the fixture from being lifted out of the grid. See FIG 3.B.1

FIG 3.B.1



C. LT INSTALLATION

TO REMOVE LENS: Remove two screws from one end of the fixture, drop out the lens retainer & lens. Reassemble in reverse order.

FIG C.B.1



D. FIELDSELECT INSTALLATION

Set CCT and lumens selector switches prior to installing fixture.

FIG D.B.1



CAUTION: De-energize before switching CCT and lumens. Failure to do so may damage the LEDs which will void the warranty.

NEMA TYPE "G"

INSTALLATION INSTRUCTIONS

E. FIELDSELECT EM BATTERY KIT

