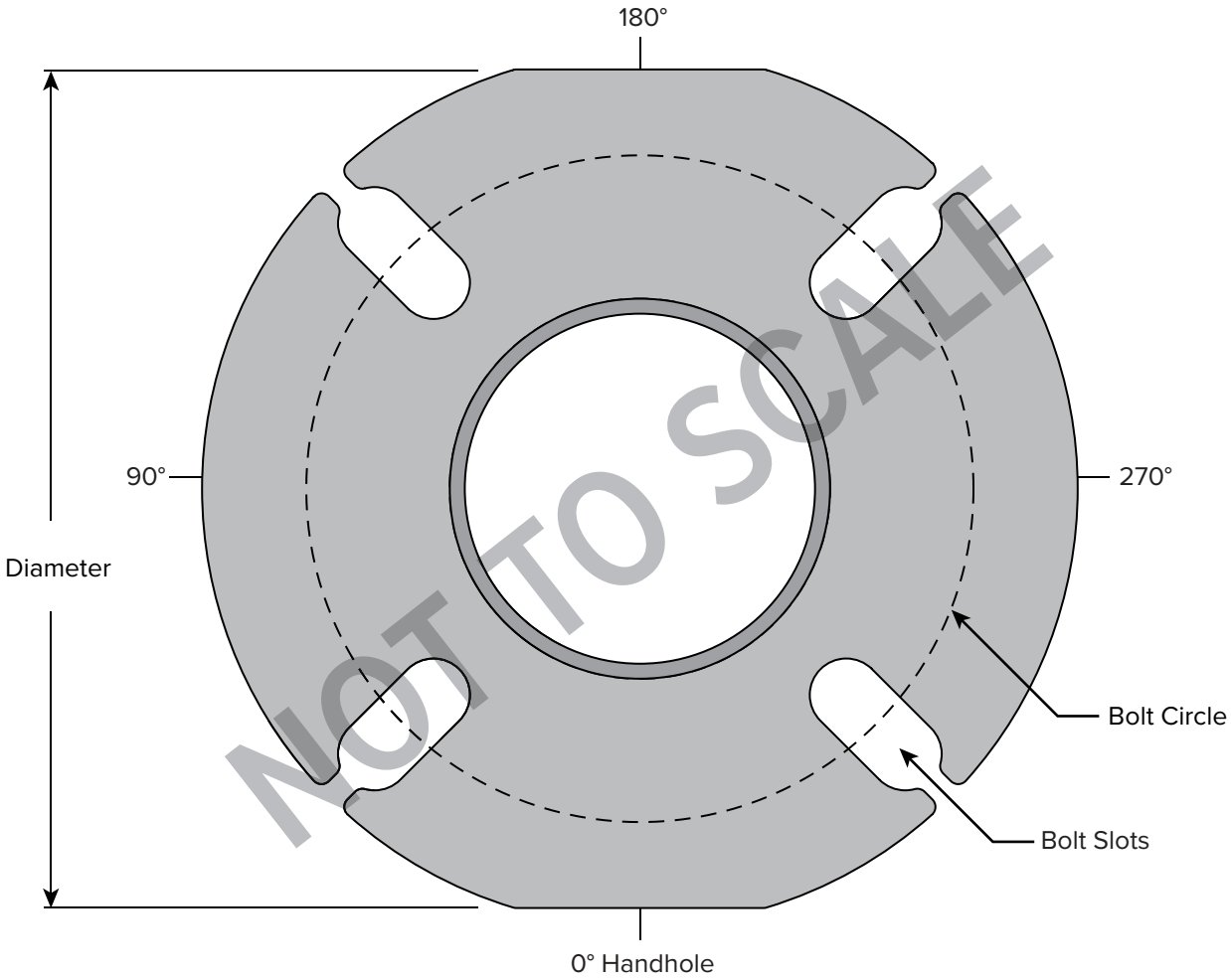


# RSS POLE MOUNTING TEMPLATE



**NOTE:**

This sample template is not to scale and is not intended for actual use on-site. Scaled template will be shipped with every pole or anchor bolt order.



POLE		STRUCTURAL BASE				ANCHOR BOLTS			BOLT SLOT SIZE
BASE O.D.	WALL THK.	BOLT CIRCLE		DIA.	THK.	BOLT SIZE	PROJ.	±	
		DIA.	±						
3"	1/8"	8"	1"	10-1/2"	3/4"	3/4" x 17" x 3"	3-1/2"	1/4"	7/8" x 1-7/8"
4"	1/8"	8"	1"	10-1/2"	3/4"	3/4" x 17" x 3"	3-1/2"	1/4"	7/8" x 1-7/8"
4-1/2"	1/8"	8"	1"	10-1/2"	3/4"	3/4" x 17" x 3"	3-1/2"	1/4"	7/8" x 1-7/8"
5"	1/8"	8"	1"	10-1/2"	3/4"	3/4" x 17" x 3"	3-1/2"	1/4"	7/8" x 1-7/8"
5"	3/16"	8"	1"	10-1/2"	3/4"	3/4" x 17" x 3"	3-1/2"	1/4"	7/8" x 1-7/8"