

Williams
FLUORESCENT LIGHTING

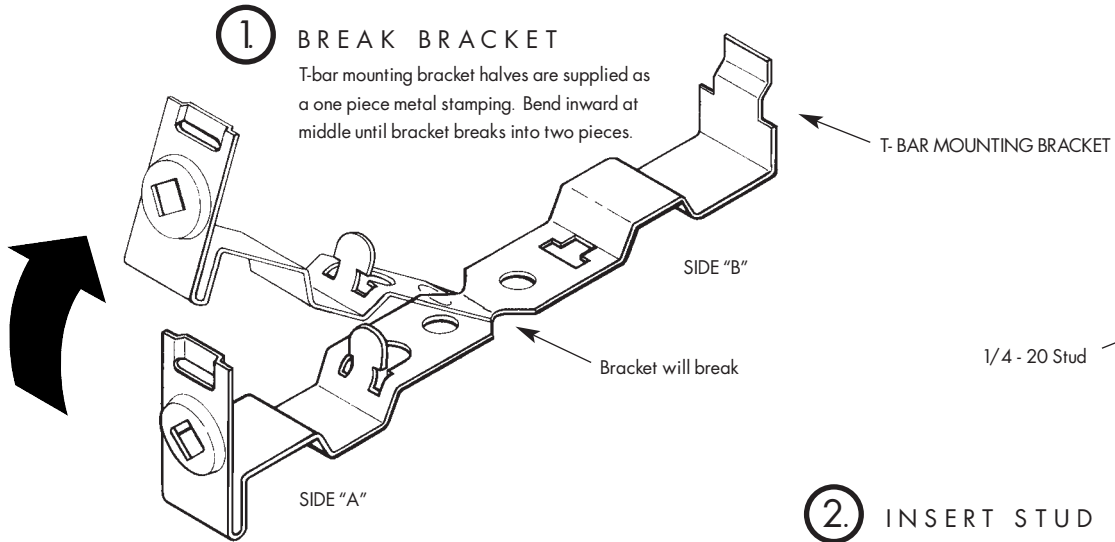
ACF/_____ & ACJ/_____

SUSPENDED – AIRCRAFT CABLE INSTALLATION

MOUNTING BRACKET ASSEMBLY

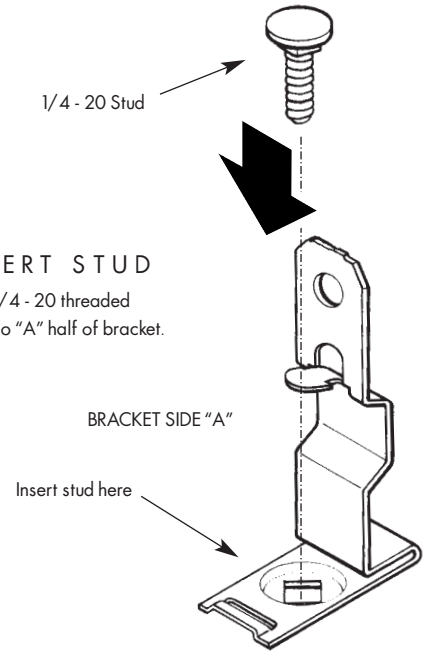
1. BREAK BRACKET

T-bar mounting bracket halves are supplied as a one piece metal stamping. Bend inward at middle until bracket breaks into two pieces.



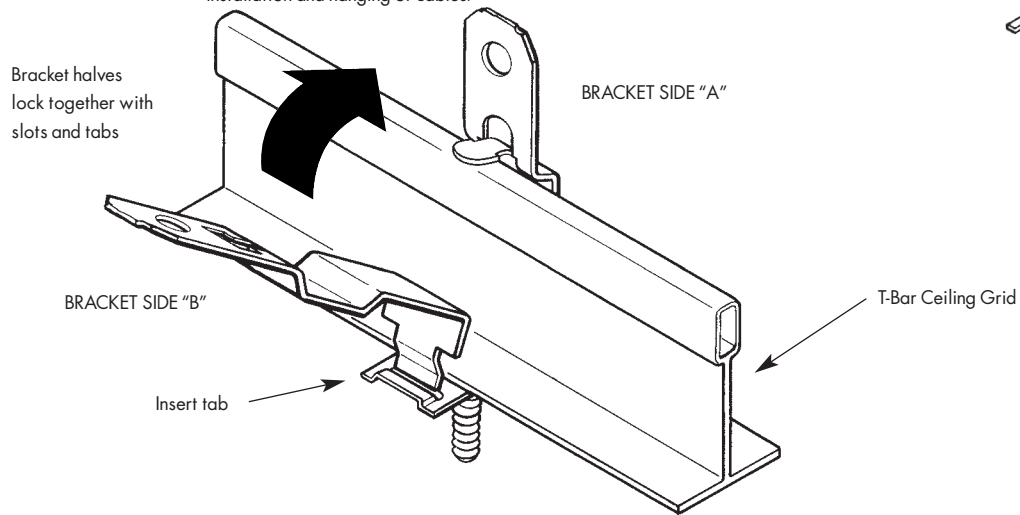
2. INSERT STUD

Insert 1/4 - 20 threaded stud into "A" half of bracket.

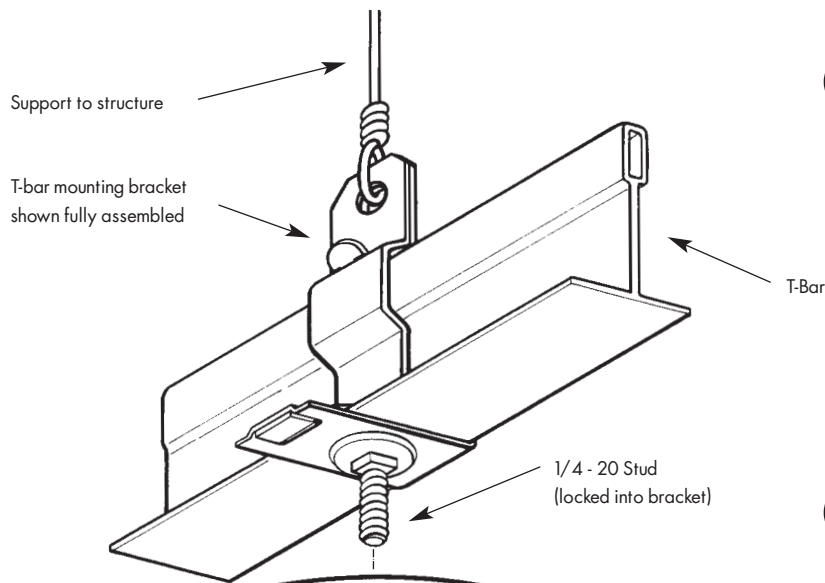


3. SNAP ON T-BAR

T-bar mounting bracket halves interlock and snap together around T-bar. Brackets must be placed exactly at each mounting point for correct installation and hanging of cables.



SUPPORT & FEED LOCATIONS



4. PROVIDE SUPPORT

Suspension locations must be securely supported to the structure before hanging light fixtures onto brackets. Use 12 gauge or stronger steel ceiling support wire. (For non-grid application, ACFHP/___ kit is supplied with 1/4-20 stud on spanner bracket to mount directly to a 4" octagonal junction box.)

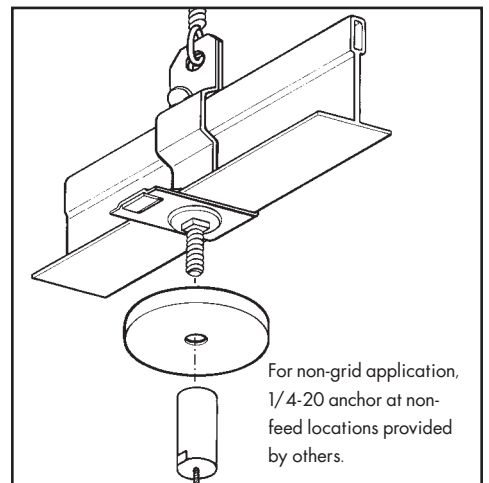
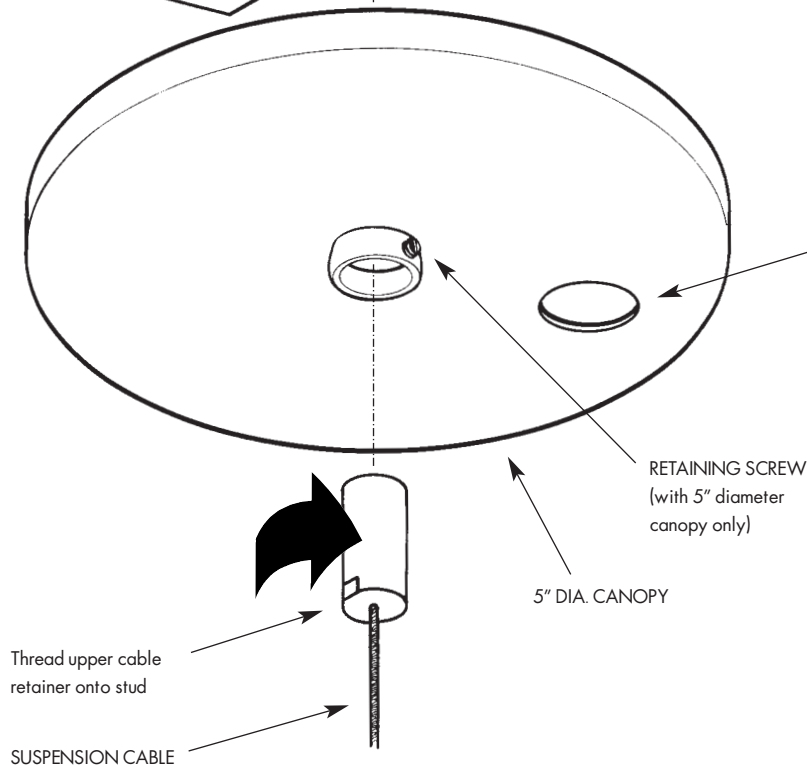
5. CABLES & CANOPIES

Place the canopy flush to ceiling tile and thread upper cable retainer onto the 1/4 - 20 Stud.

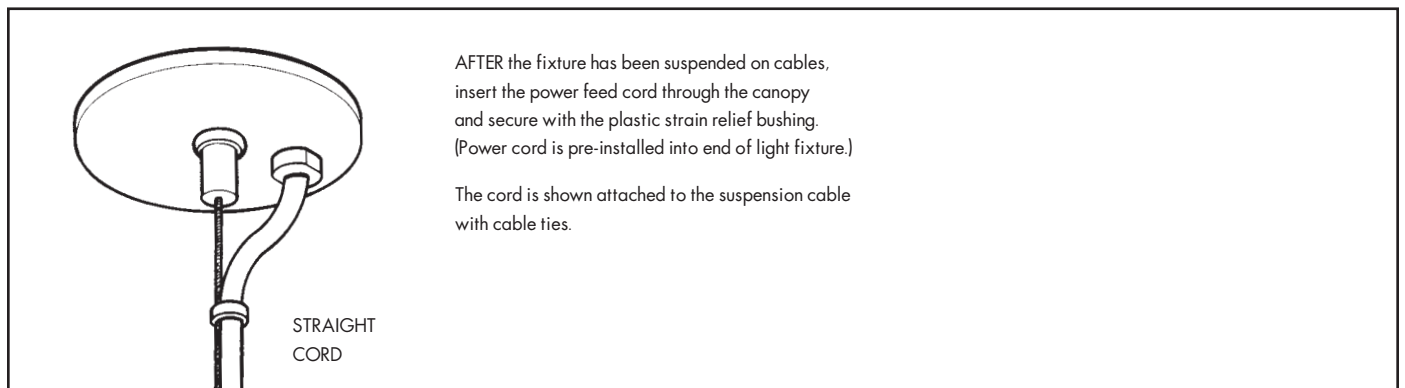
The 5" diameter canopy will be used only at power feed locations. Smaller 2" canopies are to be used at non-feed locations.

Tighten the retaining screw at middle to secure. (5" diameter canopy only)

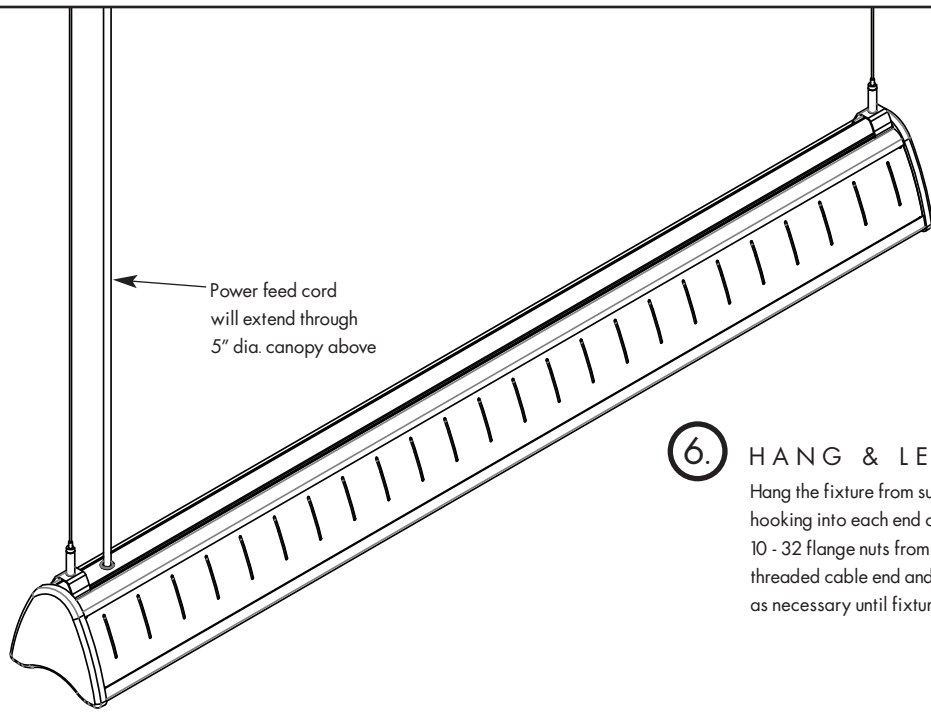
Power feed cord will pass through hole with plastic strain relief bushing



POWER CORD OPTIONS



S U S P E N D & L E V E L F I X T U R E S



Power feed cord
will extend through
5" dia. canopy above

6. HANG & LEVEL

Hang the fixture from suspension cables by hooking into each end of light fixture. Install 10 - 32 flange nuts from the hardware kit onto threaded cable end and adjust up or down as necessary until fixture is level.

DETAIL OF T-BAR MOUNTED J-BOX FOR POWER FEED

