

MUD FLANGE ASSEMBLY

LED DOWNLIGHT INSTALLATION INSTRUCTIONS



WARNING:

- This product must be installed in accordance with the applicable installation code by a person familiar with the construction and operation of the product and the hazards involved.
- Make sure all electrical power is turned off while installing the fixture.
- This luminaire must be adequately grounded for protection against shock hazards and to assure proper operation.
- Disconnect power before servicing.
- LEDs are ESD (Electro Static Discharge) sensitive devices that can be easily damaged if the proper ESD mitigating steps are not taken.
- LEDs are very sensitive to mechanical damage. Caution must be taken to avoid damage to the LEDs.
- ESD or mechanical damage voids all warranties.
- Suitable for dry and damp locations.

FOR USE WITH:

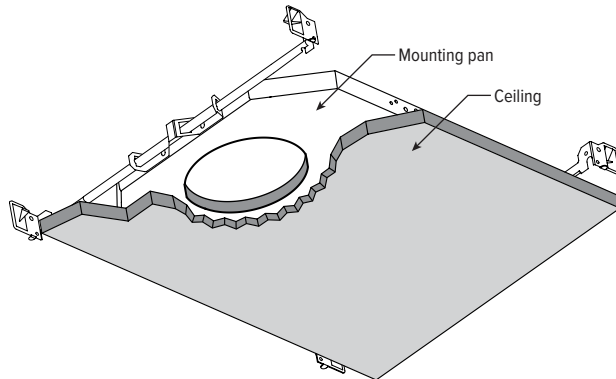
- | | | | | | | |
|-------|-------|-------|-------|-------|-------|-------|
| ▪ 2AR | ▪ 2DR | ▪ 4AR | ▪ 4DS | ▪ 4PS | ▪ 6DR | ▪ 6PR |
| ▪ 2AS | ▪ 2DS | ▪ 4DR | ▪ 4PR | ▪ 6AR | ▪ 6DS | ▪ 6PS |

STEP 1: After ceiling installation, cut appropriate hole corresponding to center of pan aperture. See FIG 1.1

- | | |
|--------------------------------|----------------------------|
| 2" Round: $\varnothing 4"$ | 4" Square: 5-1/2" |
| 2" Square: 3-1/2" | 6" Round: $\varnothing 7"$ |
| 4" Round: $\varnothing 5-1/2"$ | 6" Square: 7" |

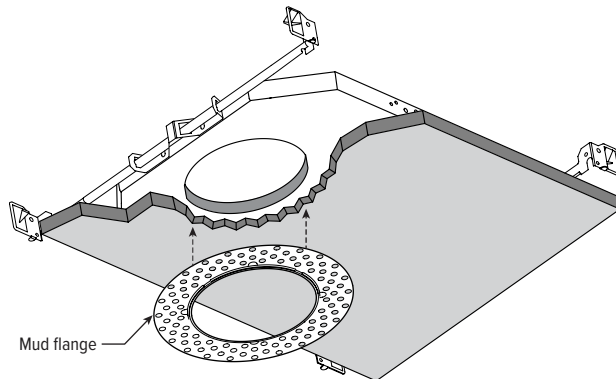
NOTE: LED power cable must be accessible through pan aperture after ceiling installation for future LED module installation.

FIG 1.1



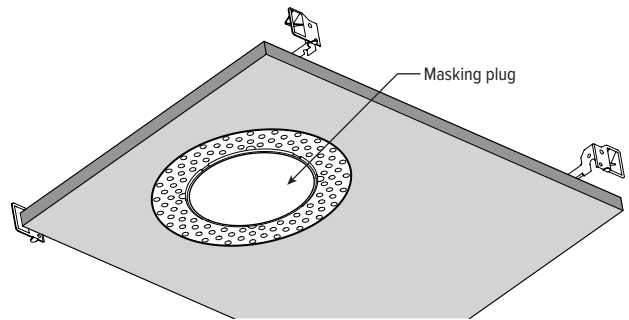
STEP 2: Insert mud flange into ceiling cutout. Affix mud flange to ceiling surface using drywall tape (a non-moisture absorbing tape is recommended) or drywall adhesive. See FIG 2.1

FIG 2.1



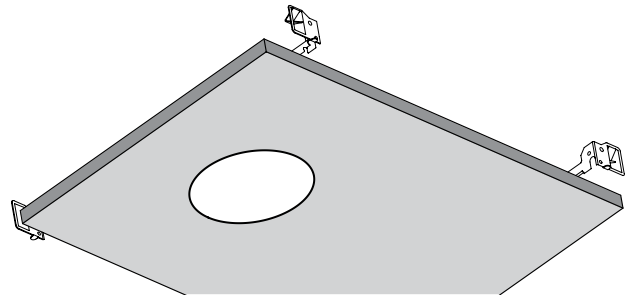
STEP 3: Insert masking plug into mud flange aperture. See FIG 3.1
Tape and mud flange to ceiling material. Feather in plaster as needed to visually obscure the mud ring.

FIG 3.1



STEP 4: Paint and/or finish ceiling per specification. See FIG 4.1

FIG 4.1



STEP 5: When ceiling treatment is fully dry, carefully remove and discard masking plug. See FIG 5.1

FIG 5.1

