

# RNDP SERIES

## INSTALLATION INSTRUCTIONS



### WARNING:

- This product must be installed in accordance with the applicable installation code by a person familiar with the construction and operation of the product and the hazards involved.
- Make sure all electrical power is turned off while installing the fixture.
- This luminaire must be adequately grounded for protection against shock hazards and to assure proper operation.
- Disconnect power before servicing.
- LEDs are ESD (Electro Static Discharge) sensitive devices that can be easily damaged if the proper ESD mitigating steps are not taken.
- LEDs are very sensitive to mechanical damage. Caution must be taken to avoid damage to the LEDs.
- ESD or mechanical damage voids all warranties.
- Suitable for dry and damp locations.

### TABLE OF CONTENTS

A. ADJUSTABLE CABLE (AC) MOUNT .....	1	D. EMERGENCY BATTERIES (REMOTE MOUNT).....	3
B. PENDANT (PM) MOUNT .....	3	E. WIRING DIAGRAM.....	3
C. LIFT-AND-TWIST LENS INSTALLATION.....	3		

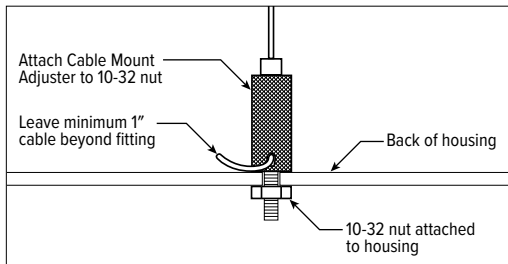
### A. ADJUSTABLE CABLE (AC) MOUNT

#### MOUNTING HARDWARE INCLUDED (QUANTITIES DETERMINED BY SIZE OF FIXTURE):

- (3 or 4) T-bar hangers (GAT fasteners) with 1/4-20 stud for 1" T-bar
- (1) Cross-bar, zinc plated, with (1) 1/4-20 stud
- (1) 5" power feed canopy
- (2 or 3) 2" non-power feed canopies
- (3 or 4) adjustable cable sets

**STEP 1:** Remove LED panel by turning twistlock fastener(s). Set aside. Attach cable mount adjuster to 10-32 nut supplied in back of fixture housing, leaving 1" cable beyond fitting as indicated in FIG A.1.1.

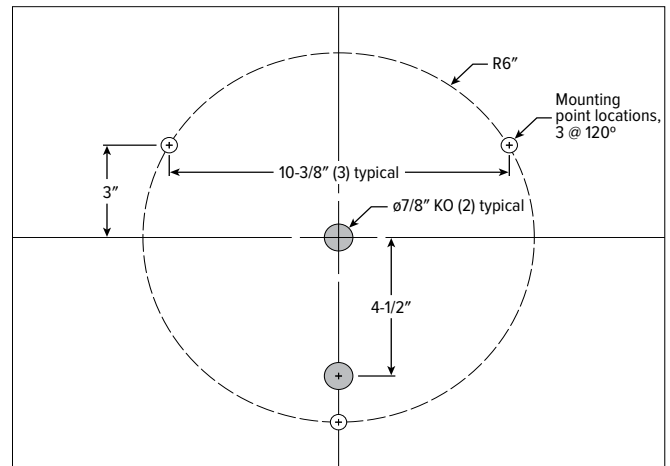
**FIG A.1.1** Fixture Attachment Details



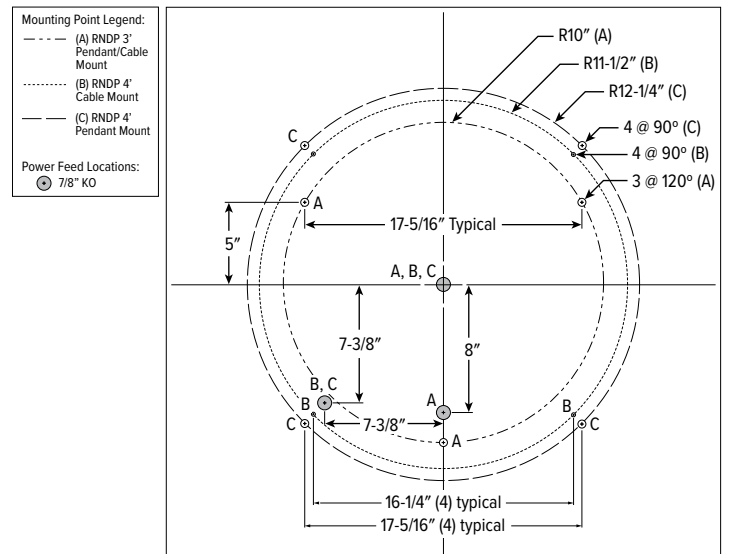
**STEP 2:** Using full size template provided, transfer mounting points to ceiling. See example (not to scale), FIG A.2.1

**FIG A.2.1** Mounting Templates

#### RNDP-2



#### RNDP-3 | RNDP-4



# RNDP SERIES

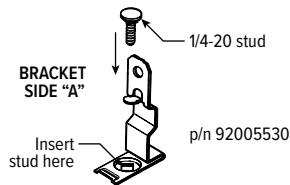
## INSTALLATION INSTRUCTIONS

**STEP 3:** Install 1/4-20 studs in ceiling:

**GRID CEILING:** Assemble GAT fasteners and 1/4-20 studs (provided) and attach to T-bar. Suspension locations must be securely supported to the structure before hanging light fixtures onto brackets. Use 12-gauge or stronger steel ceiling support wire (by others), See FIG A.4.2

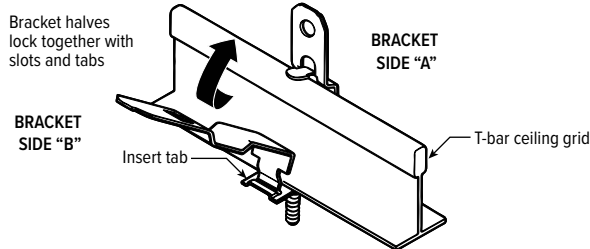
- A. T-bar mounting bracket halves are supplied as a one-piece metal stamping. Break mounting bracket apart. Insert 1/4-20 threaded stud into "A" half of bracket. (See FIG A.3.1)

**FIG A.3.1**



- B. T-bar mounting bracket halves interlock. Snap side "B" together with side "A" around T-bar. (See FIG A.3.2)

**FIG A.3.2**

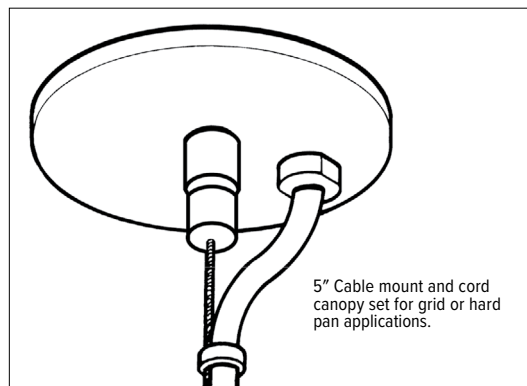


**HARDPAN CEILING:** Install 1/4-20 stud (strap and stud provided) to junction box, and additional 1/4-20 studs (by others) at each mounting location. See FIG A.4.3

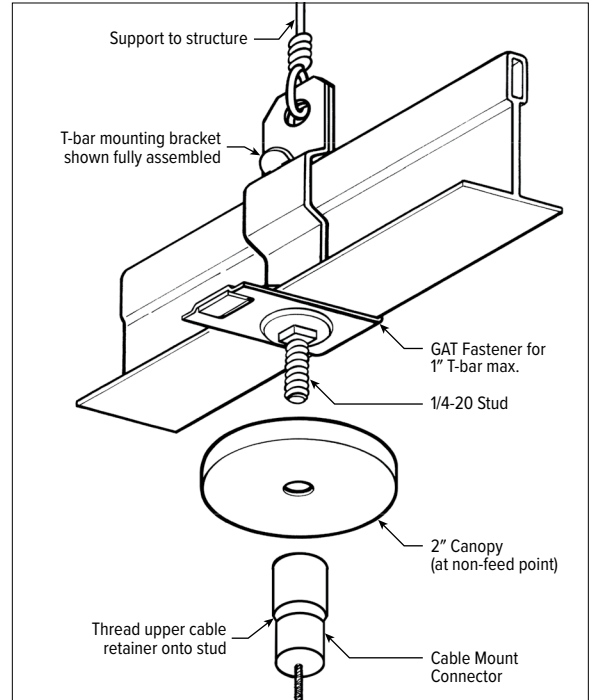
**NOTE:** Stud must be placed exactly at each mounting point for correct installation and hanging of cables.

**STEP 4:** Attach cable mount connector to ceiling via 1/4-20 stud supplied with GAT fastener (FIG A.4.1 and FIG A.4.2) or to other 1/4-20 studs (provided by others) installed in the ceiling structure. See FIG A.4.3

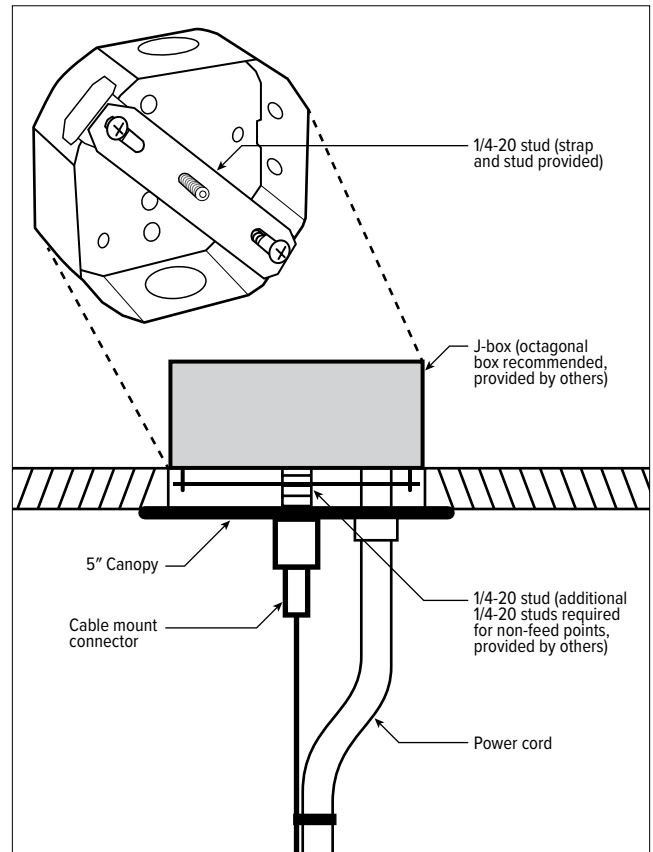
**FIG A.4.1** 5" Power Feed & Canopy Detail



**FIG A.4.2** Grid Ceiling Installation Example



**FIG A.4.3** Hardpan Ceiling Installation Example



# RNDP SERIES

## INSTALLATION INSTRUCTIONS

### B. PENDANT (PM) MOUNT

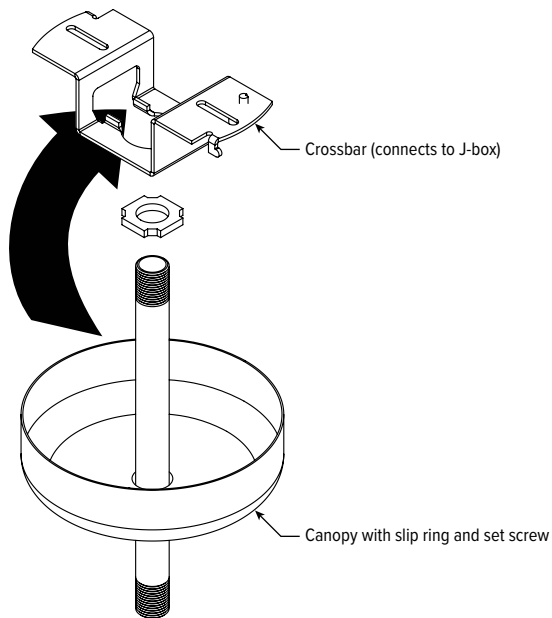
#### MOUNTING HARDWARE INCLUDED (QUANTITIES DETERMINED BY SIZE OF FIXTURE):

- (3 or 4) 3/8" IP stems, length specified on order
- (3 or 4) Canopies with slip ring
- (3 or 4) Crossbars, zinc plated
- (9 or 12) 3/8" lock nuts
- (3 or 4) Washers

**STEP 1:** Using full size template provided, transfer mounting points to ceiling. See example (not to scale), FIG A.2.1 on page 1.

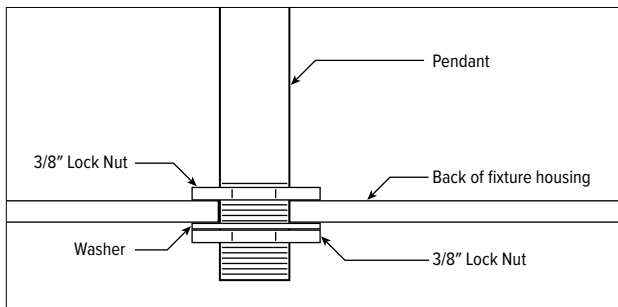
**STEP 2:** Install pendants by attaching crossbar to J-box, provided by others.

FIG B.2.1



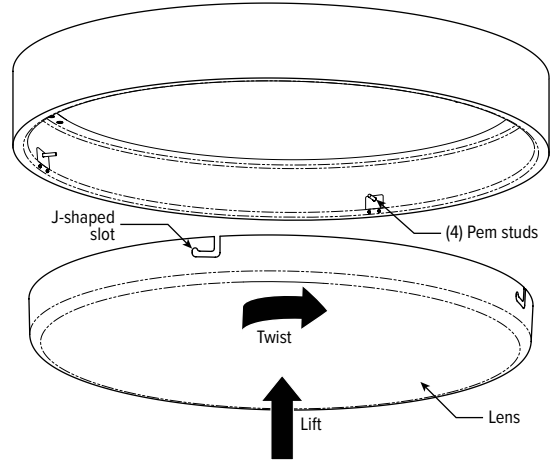
**STEP 3:** Attach pendant to fixture by knocking out 3/4" KOs on back of housing. Insert pendants into KOs, securing with washer and 3/8" lock nut inside housing, and an additional 3/8" lock nut flush to outside of housing.

FIG B.3.1 Fixture Attachment Details



### C. LIFT-AND-TWIST LENS INSTALLATION

**STEP 1:** Reinstall panel. Align vertical portion of the "J-shaped" slots in lens to pem studs protruding from the perimeter of the interior ring in the fixture. Lift the lens up until the pem studs meet the bottom of the vertical slot and then twist clockwise so that the studs lock the lens into place.



### D. EMERGENCY BATTERIES (REMOTE MOUNT)

**STEP 1:** Install remote EM box per local codes and connect to 4" ceiling hex box.

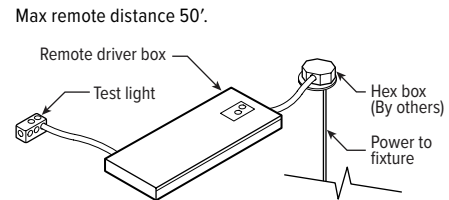
**STEP 2:** Connect incoming power.

**STEP 3:** Connect EM unswitched power.

**STEP 4:** Plug (2) red wires in remote EM box to charge battery.

**STEP 5:** Connect wiring to cord from LEDs.

**STEP 6:** Cross bar for hex box installed for cover, canopy, and hanging cable.



### E. WIRING DIAGRAM

Make electrical connections in accordance with NEC and local codes.

