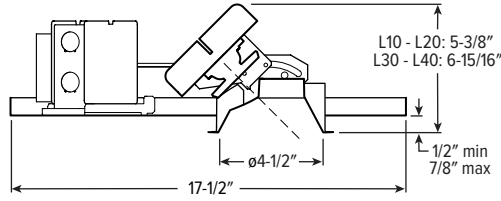


# 4AR LED 4.5" Adjustable Downlight – Round



CATALOG #: \_\_\_\_\_

TYPE: \_\_\_\_\_

PROJECT: \_\_\_\_\_

## NEW CONSTRUCTION AND REMODEL

### FEATURES

- Adjustable aim with 0° - 45° tilt and 360° rotation
- Beam angles ranging from 20° narrow to 45° wide for tailored performance
- 4 inch aperture is unobtrusive in small scale spaces
- Etched degree markers and directional indicator make it simple to fine-tune the illumination angle
- Spring clip retention system eliminates trim sag
- Choice of open reflector or die-cast lensed trims to complement interior style
- Contemporary design provides glare-free illumination for a soft ceiling appearance
- Fully room-side accessible

### SPECIFICATIONS

- HOUSING** – Die-cast aluminum spun and stamped articulating mechanism with forged aluminum heat sink. Galvanized steel splice compartment with driver mounting plate/enclosure. Mounting clips allow for ceiling thickness from 1/2" - 7/8".
- OPEN REFLECTOR** – Low-iridescent anodized aluminum. Clear semi-specular finish standard.
- LENSED TRIM** – Die-cast aluminum frame with micro-prismatic, acrylic lens.
- ELECTRICAL** – High-performance Class 2 C.O.B. LED array. Modular quick-connect plug for easy field-connection of LED light assembly to driver. Reported L70>55,000 hours. Reported L90>55,000 hours. Estimated L70 = 200,000 hours.
- MOUNTING** – Recessed. 20 ga. galvanized steel mounting pan for new construction or IC-rated enclosure. Remodel kit option includes receiver bracket hardware. N and R mounting types for use in non-fire rated installations only. Minimum 24" O.C. marked spacing required for L30 and L40 lumen packages.
- LISTINGS** –
  - cCSAus conforms to UL STD 1598; Certified to CAN/CSA STD C22.2 No. 250.0 for damp locations. LED light assembly conforms to UL 2108 for remote installation.
  - Suitable for wet location under covered ceiling when specified with WET/CC option.
  - IC-rated for direct contact with insulation when specified with I Mounting Type.
  - City of Chicago Environmental Air approved when specified with CP option.
  - Complies with ASTM-E283 when specified with ATH option.
  - RoHS compliant.
- WARRANTY** – 5-year limited warranty, see [hew.com/warranty](http://hew.com/warranty).

ORDERING EXAMPLE: 4AR - L20/835 - OPTIONS - DIM - UNV - OW - OF - CS - TRIM OPTIONS - N - F1

### HOUSING

SERIES	LUMENS <sup>[1]</sup>	CRI	CCT	OPTIONS	CONTROL <sup>[2]</sup>	VOLTAGE
4AR	L10 1,000lm	8 80	27 2700K	<b>EM/7W</b> 7-watt emergency battery <sup>[4]</sup>	<b>DIM</b> Dimming driver, 0-10V	<b>UNV</b> 120-277V
	L15 1,500lm	9 90 <sup>[3]</sup>	30 3000K	<b>EM/10W</b> 10-watt emergency battery <sup>[5]</sup>		
	L20 2,000lm	35 3500K	35 3500K	<b>EM/10W/RTS</b> 10-watt emergency battery with regressed test switch <sup>[6]</sup>	<b>DIM1</b> 1% Dimming driver, 0-10V	
	L30 3,000lm	40 4000K	40 4000K	<b>ATH</b> Airtight construction <sup>[7]</sup>		
L40 4,000lm	50 5000K	50 5000K	<b>CP</b> Chicago plenum (CECA) <sup>[8]</sup>			
				<b>F</b> Fuse kit		
				<b>SDT</b> Stepdown transformer <sup>[9]</sup>		

### TRIM <sup>[11]</sup>

TRIM TYPE	DISTRIBUTION <sup>[12]</sup>	FLANGE TYPE	REFLECTOR FINISH	TRIM OPTIONS
<b>O</b> Open reflector	<b>W</b> Wide	<b>OF</b> 1/2" standard flange	<b>Open trim types</b>	<b>MWT</b> Textured white trim flange <sup>[14]</sup>
<b>L</b> Flush lens	45° Open	<b>SF</b> 1/4" mud-in flange <sup>[13]</sup>	<b>CS</b> Clear semi-specular anodized	<b>AD</b> Diffuse acrylic lens <sup>[15]</sup>
<b>A</b> Angled lens	40° Flush		<b>WH</b> White texture powder coat	
	30° Angled		<b>BL</b> Black texture powder coat	
	<b>M</b> Medium		<b>Lens trim types</b>	<b>PD</b> Diffuse 1/8" polycarbonate lens <sup>[16]</sup>
	30° Open		<b>CS</b> Clear semi-specular powder coat	<b>WET/CC</b> Wet location, covered ceiling listed <sup>[17]</sup>
	30° Flush		<b>WH</b> White texture powder coat	
	25° Angled		<b>BL</b> Black texture powder coat	
	<b>N</b> Narrow			<b>AM</b> Anti-microbial <sup>[18]</sup>
	20° Open			
	25° Flush			
	25° Angled			

### MOUNTING

#### MOUNTING TYPE <sup>[19]</sup>

- N** Open pan for new construction
- I** IC-rated enclosure for new construction <sup>[21]</sup>
- R** Remodel kit <sup>[22]</sup>

#### MOUNTING HARDWARE <sup>[20]</sup>

- F1** Factory-installed 2-position fixed pan bracket, universal bar hanger included <sup>[23]</sup>
- BA1** Adjustable butterfly pan bracket, bar hanger not included <sup>[24]</sup>
- CA1** Adjustable caterpillar pan bracket, universal bar hanger included <sup>[25]</sup>

### NOTES

- Lumen output based on O trim type, N distribution and CS finish, 3500K/80CRI. Actual lumens may vary +/-5%, see page 2 for FIXTURE PERFORMANCE DATA.
- See page 3 for ADDITIONAL CONTROL OPTIONS.
- Extended lead times may apply. Consult factory for availability.
- N and R Mounting Types only. Not available with ATH option.
- N and R Mounting Types only. Not available with ATH option.
- Not available with WET/CC or ATH options. N and R Mounting Types only. See page 4 for EM/10W/RTS DETAILS.
- I Mounting Type required.
- I Mounting Type required.
- May be required for 347V, see product builder at [hew.com/product-builder](http://hew.com/product-builder).
- Not available with EM batteries or DMX controls.
- Trim ships separately.
- Beam angle based on CS or WH reflector finish.
- For use with mud-in plaster construction only, supplied with mud flange installation kit. See page 3 for FLANGE TYPE DETAILS. Not available with ATH option.
- Not available with WH Reflector Finish or L Trim Type.
- L and A Trim Types only. W distribution only.
- L and A Trim Types only. W distribution only.
- L Trim Type only. Not available with PD trim option.
- WH and BL Reflector Finishes only.

- Mounting hardware required (N and I only), ordered separately, see MOUNTING HARDWARE ordering info. See page 4 for MOUNTING TYPE DETAILS.
- Additional mounting hardware options available. See page 5 for MOUNTING HARDWARE DETAILS.
- Not available with L30 and L40 lumen packages.
- Also used in new construction sheetrock ceilings.
- N and I Mounting Types only. Universal bar hanger ships uninstalled. I Mounting requires external brackets.
- N Mounting Type only.
- N Mounting Type only.



# 4AR LED 4.5" Adjustable Downlight – Round

## FIXTURE PERFORMANCE DATA

### OPEN REFLECTOR TRIM TYPE

	DISTRIBUTION	DELIVERED LUMENS	WATTAGE	EFFICACY (lm/W)
L10	W	690	12.1	56.9
	M	946	12.1	78.0
	N	1014	12.1	83.6
L15	W	1041	17.2	60.6
	M	1427	17.2	83.0
	N	1529	17.2	89.0
L20	W	1380	24.2	57.5
	M	1892	24.0	78.8
	N	2028	24.0	84.5
L30	W	1532	36.9	41.5
	M	2497	36.9	67.6
	N	2785	36.9	75.4
L40	W	2043	49.0	41.7
	M	3330	49.0	68.0
	N	3714	49.0	75.8

### FLUSH LENS TRIM TYPE

	DISTRIBUTION	DELIVERED LUMENS	WATTAGE	EFFICACY (lm/W)
L10	W	684	12.1	56.4
	M	915	12.1	75.5
	N	953	12.1	78.6
L15	W	1031	17.2	60.0
	M	1381	17.2	80.3
	N	1438	17.2	83.7
L20	W	1368	24.0	57.0
	M	1831	24.0	76.3
	N	1907	24.0	79.5
L30	W	2091	36.9	56.6
	M	2718	36.9	73.6
	N	2701	36.9	73.1
L40	W	2788	49.0	56.9
	M	3625	49.0	74.0
	N	3602	49.0	73.5

### ANGLED LENS TRIM TYPE

	DISTRIBUTION	DELIVERED LUMENS	WATTAGE	EFFICACY (lm/W)
L10	W	486	12.1	40.1
	M	712	12.1	58.7
	N	859	12.1	70.8
L15	W	733	17.2	42.6
	M	1074	17.2	62.5
	N	1295	17.2	75.4
L20	W	972	24.0	40.5
	M	1425	24.0	59.4
	N	1718	24.0	71.6
L30	W	1528	36.9	41.4
	M	2067	36.9	55.9
	N	2313	36.9	62.6
L40	W	2037	49.0	41.6
	M	2756	49.0	56.2
	N	3085	49.0	63.0

### MULTIPLIER TABLES

	COLOR TEMPERATURE	
	CCT	CONVERSION FACTOR
80 CRI	2700K	0.92
	3000K	0.98
	3500K	1.00
	4000K	1.01
	5000K	1.02
90 CRI	2700K	0.76
	3000K	0.79
	3500K	0.82
	4000K	0.84
	5000K	0.88

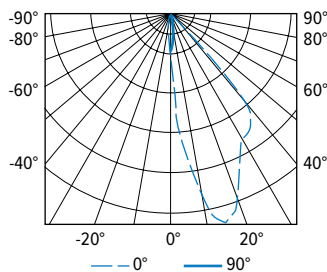
OPEN REFLECTOR FINISH	
CATALOG NUMBER	CONVERSION FACTOR
CS	1.00
WH	0.89
BL	0.79

TRIM	
CATALOG NUMBER	CONVERSION FACTOR
AD <sup>1</sup>	0.85
PD <sup>1</sup>	0.85

- <sup>1</sup> Distribution will also be affected, consult factory.
- Photometrics tested in accordance with IESNA LM-79. Results shown are based on 25°C ambient temperature.
  - Wattage shown is based on 120V input.
  - Results based on 3500K/80 CRI, 0° tilt, actual lumens may vary +/-5%
  - Use multiplier table to calculate additional options.

## PHOTOMETRY

4AR-L20/835-DIM-UNV-OW-OF-CS (25° tilt) Report #: 20446; 05/21/18 | Total Luminaire Output: 1368 lumens; 24.2 Watts | Efficacy: 56.6 lm/W | 81.7 CRI; 3628K CCT

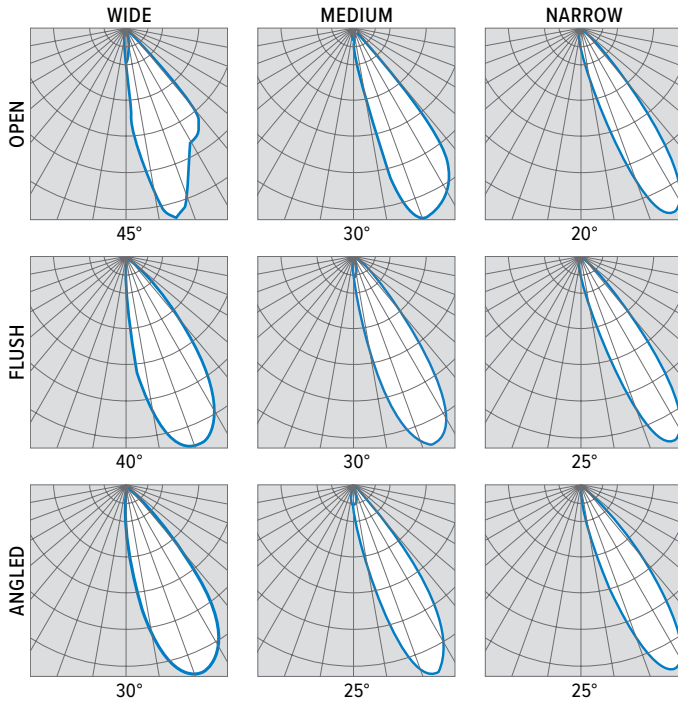


VERTICAL ANGLE	HORIZONTAL ANGLE					ZONAL LUMENS
	0°	45°	90°	135°	180°	
0	808	808	808	808	808	
5	2450	1718	670	277	200	95
15	4432	2421	259	63	41	323
25	3338	2205	66	17	15	414
35	2889	1016	12	8	11	469
45	597	31	5	4	3	67
55	6	0	0	0	3	1
65	1	0	0	0	0	0
75	0	0	0	0	0	0
85	0	0	0	0	0	0
90	0	0	0	0	0	0

LUMEN SUMMARY	ZONE	LUMENS	% FIXTURE
	0 - 30	832	61
	0 - 40	1301	95
	0 - 60	1368	100
	0 - 90	1368	100
	0 - 180	1368	100



# 4AR LED 4.5" Adjustable Downlight – Round

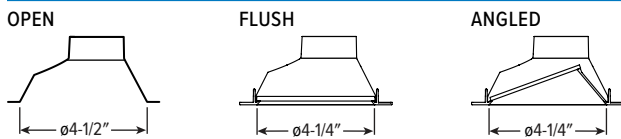


## ADDITIONAL CONTROL OPTIONS

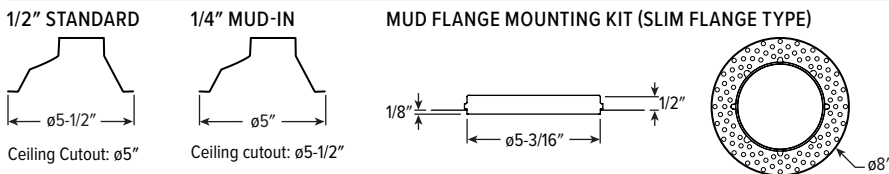
Lumen restrictions apply: L30 max for DMX driver and Lutron drivers, L40 max for DIM LINE driver. R Mounting Type not available with DMX or FCJS controls. R Mounting Type requires 12" minimum plenum depth when specified with VRF/DBI controls. 347V may require stepdown transformer, see product builder at [hew.com/product-builder](http://hew.com/product-builder). I Mounting Type not available with Lutron controls.

CATALOG NUMBER	DESCRIPTION
DIM	Dimming driver prewired for 0-10V low voltage applications
DIM1	1% dimming driver prewired for 0-10V low voltage applications
DIM LINE	Line voltage dimming driver (TRIAC and ELV compatible at 120V only)
DMX	0.1% dimming driver for DMX controls
LTE LINE	Lutron Hi-lume 1% 2-wire dimming driver forward phase line voltage controls (120V only)
LDE1	Lutron Hi-lume 1% EcoSystem dimming LED driver
VRF/DBI/LDE1	Lutron VIVE integral fixture control, RF only (DFCSJ-OEM-RF), Lutron Hi-lume 1% EcoSystem dimming LED driver, and digital link interface
FCJS/DIM	Lutron VIVE PowPak wireless fixture control with dimming driver
FCJS/DIM1	Lutron VIVE PowPak wireless fixture control with 1% dimming driver
ELDO SOLOB	EldoLED Solodrive, 0.1% dimming driver for 0-10V controls
ELDO SOLOB DALI	EldoLED Solodrive, 0.1% dimming driver for DALI controls
ELDO ECO1	EldoLED Ecodrive, 1% dimming driver for 0-10V controls
ELDO ECO1 DALI	EldoLED Ecodrive, 1% dimming driver for DALI controls

## TRIM TYPE DETAILS



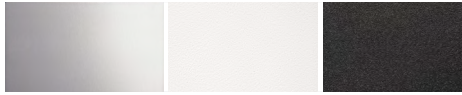
## FLANGE TYPE DETAILS



# 4AR LED 4.5" Adjustable Downlight – Round

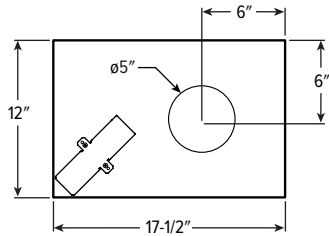
## REFLECTOR FINISH DETAILS

**CS** Clear semi-specular  
**WH** White  
**BL** Black

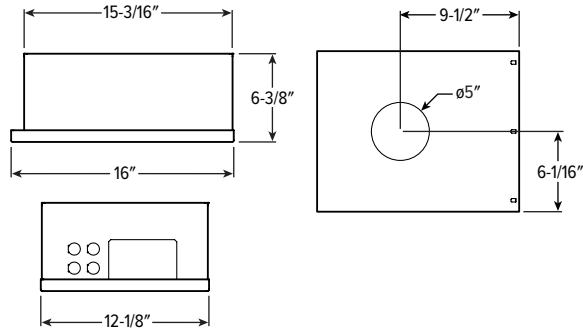


## MOUNTING TYPE DETAILS

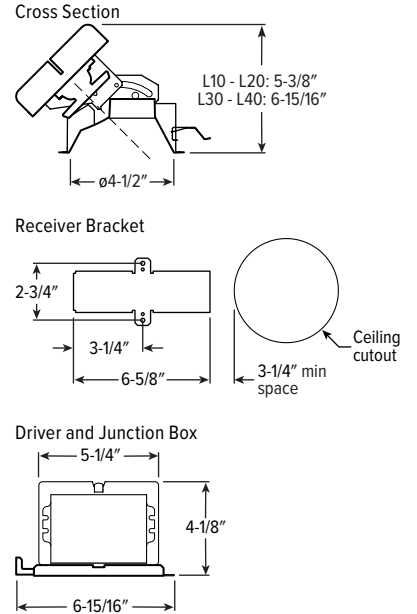
### NEW CONSTRUCTION



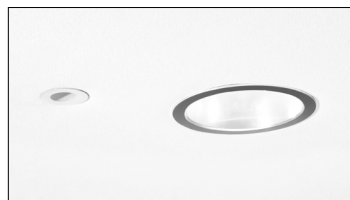
### IC-RATED



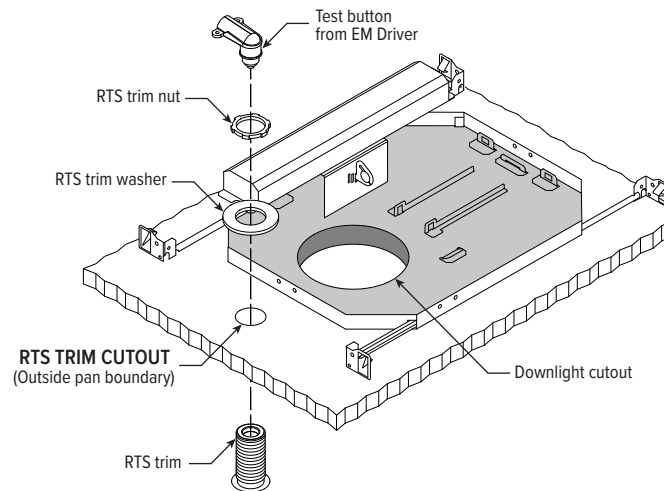
### REMODEL



## EM/10W/RTS DETAILS



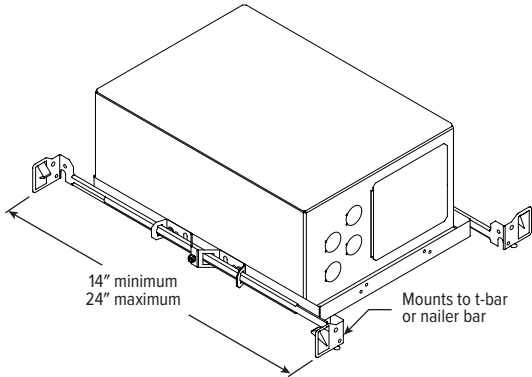
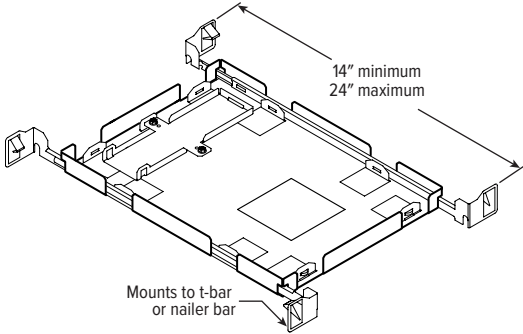
Shown Installed



# 4AR LED 4.5" Adjustable Downlight – Round

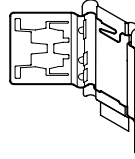
## MOUNTING HARDWARE DETAILS

**F1** Integral 2-position fixed pan bracket, universal bar hanger included

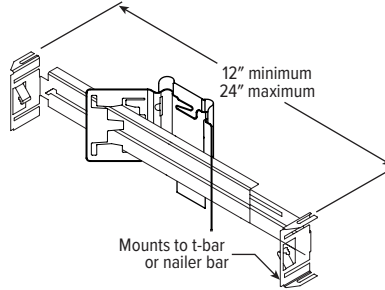


F1 with I Mounting Type

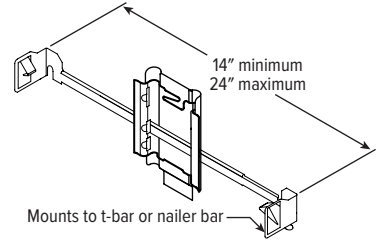
**BA1** Adjustable butterfly pan bracket, bar hanger not included (N Mounting Type only)



**BA2** Adjustable butterfly pan bracket, heavy-duty universal bar hanger included (N Mounting Type only)



**CA1** Adjustable caterpillar pan bracket, universal bar hanger included (N Mounting Type only)



**CA2** Adjustable caterpillar pan bracket, t-bar hanger included (N Mounting Type only)

