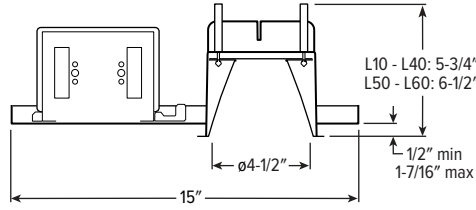


4DR LED 4.5" Downlight – Round



CATALOG #: _____

TYPE: _____

PROJECT: _____

NEW CONSTRUCTION AND REMODEL

FEATURES

TrimLock®

- Innovative TrimLock reflector retention system ensures trim remains flush with ceiling plane
- Industry-leading efficacies as high as 113 lm/W – ENERGY STAR® certified
- Available on QuickShip

SPECIFICATIONS

- HOUSING** – Die-cast aluminum trim housing with forged aluminum heat sink. Galvanized steel splice compartment with driver mounting plate/enclosure. Swing-out mounting arms field adjust for ceiling thickness from 1/2" – 2-1/4".
- TRIMLOCK** – Innovative TrimLock reflector retention system ensures the trim remains flush with the ceiling plane.
- OPEN REFLECTOR** – Low-iridescent anodized aluminum. Clear semi-specular finish standard.
- LENSED TRIM** – Die-cast aluminum frame with micro-prismatic, tempered glass lens.
- ELECTRICAL** – High-performance Class 2 C.O.B. LED array. Modular quick-connect plug for easy field-connection of LED light assembly to driver. Reported L70>55,000 hours. Reported L90>55,000 hours. Estimated L70 = 200,000 hours.
- MOUNTING** – Recessed. 20 ga. galvanized steel mounting pan for new construction or IC-rated enclosure. Remodel kit option includes receiver bracket hardware. Minimum 24" O.C. marked spacing required for L50 and L60 lumen packages.
- LISTINGS** –
 - cCSAus conforms to UL STD 1598; Certified to CAN/CSA STD C22.2 No. 250.0 for damp locations. LED light assembly conforms to UL 2108 for remote installation.
 - Suitable for wet location under covered ceiling when specified with WET/CC or TD options.
 - ENERGY STAR® certified in select configurations, see www.energystar.gov
 - IC-rated for direct contact with insulation when specified with I Mounting Type.
 - City of Chicago Environmental Air approved when specified with CP option.
 - Complies with ASTM-E283 when specified with ATH option.
 - RoHS compliant.
 - Title 24 (JA8) compliant in select configurations, see www.cacertappliance.energy.ca.gov.
- WARRANTY** – 5-year limited warranty, see hew.com/warranty.

ORDERING EXAMPLE: 4DR - TL - L20/835 - OPTIONS - DIM - UNV - OW - OF - CS - TRIM OPTIONS - N - F1

HOUSING

| SERIES | LUMENS ^[1] | CRI | CCT | OPTIONS | CONTROL ^[2] | VOLTAGE |
|----------|----------------------------|---------------------|----------|--|-------------------------------|-------------------------|
| 4DR - TL | L10 1,000lm ^[3] | 8 80 | 27 2700K | SCA_ Sloped ceiling adapter ^[5] | DIM Dimming driver, 0-10V | UNV 120-277V |
| TrimLock | L15 1,500lm | 9 90 ^[4] | 30 3000K | ATH Airtight construction | DIM1 1% Dimming driver, 0-10V | 347 347V ^[6] |
| | L20 2,000lm | | 35 3500K | F Fuse | | |
| | L30 3,000lm | | 40 4000K | EM/7W 7-watt emergency battery ^[7] | | |
| | L40 4,000lm | | 50 5000K | EM/10W 10-watt emergency battery ^[8] | | |
| | L50 5,000lm | | | EM/10W/RTS 10-watt emergency battery with regressed test switch ^[9] | | |
| | L60 6,000lm | | | CP Chicago plenum (CCEA) ^[10] | | |
| | | | | SDT Stepdown transformer ^[11] | | |

TRIM^[12]

| TRIM TYPE | DISTRIBUTION ^[13] | FLANGE TYPE | REFLECTOR FINISH | TRIM OPTIONS |
|---|------------------------------|---------------------------------------|--|--|
| O Open reflector | W Wide | OF 1/2" standard flange | Open trim types | MWT Textured white trim flange ^[20] |
| L Flush lens | 65° Open | SF 1/4" mud-in flange ^[19] | CS Clear semi-specular anodize | IP IP65 rated trim ^[21] |
| R Regressed lens | 50° Flush | | SG Satin-glow anodize | AD Diffuse acrylic lens ^[22] |
| A Angled lens ^[14] | 50° Regressed | | GD Gold anodize | PD Diffuse 1/8" polycarbonate lens ^[23] |
| S Non-conductive flush lens for shower applications ^[15] | M Medium ^[16] | | CG Champagne gold anodize | TD Diffuse polycarbonate lens media at top of open reflector ^[24] |
| | 45° Open | | PW Pewter anodize | WET/CC Wet location, covered ceiling listed ^[25] |
| | 35° Flush | | SPC Clear specular anodize | AM Anti-microbial ^[26] |
| | 30° Regressed | | RG Rose gold anodize | |
| | N Narrow ^[17] | | WH White texture powder coat | |
| | 10° Open | | BL Black texture powder coat | |
| | 25° Flush | | Lens trim types | |
| | 25° Regressed | | CS Clear semi-specular powder coat | |
| | WW Wall wash ^[18] | | WH White texture powder coat | |
| | | | BL Black texture powder coat | |
| | | | MB Black texture splay with white flange ^[27] | |

MOUNTING

MOUNTING TYPE^[28]

- N Open pan for new construction
- I IC-rated enclosure for new construction^[30]
- R Remodel kit^[31]

MOUNTING HARDWARE^[29]

- F1 Integral 2-position fixed pan bracket, universal bar hanger included^[32]
- BA1 Adjustable butterfly pan bracket, bar hanger not included^[33]
- CA1 Adjustable caterpillar pan bracket, universal bar hanger included^[34]

NOTES

- Lumen output based on O trim type, W distribution and CS finish, 3500K/80CRI. Actual lumens may vary +/-5%, see page 2 for FIXTURE PERFORMANCE DATA
- See page 4 for ADDITIONAL CONTROL OPTIONS.
- Not available with EM/10W emergency batteries.
- Extended lead times may apply. Consult factory for availability.
- 9" aperture, specify degrees of slope in 5° increments, 05°-30°. See page 4 for SLOPED CEILING ADAPTOR DETAILS. Not available with ATH option. N Mounting Type only. Not available with WET/CC.
- Not available with EM batteries or DMX controls.
- N and R Mounting Types only.
- N and R Mounting Types only.
- Not available with WET/CC, ATH or IP options. N and R Mounting Types only. See page 5 for EM/10W/RTS DETAILS.
- I Mounting Type required.
- May be required for 347V, see product builder at hew.com/product-builder
- Trim ships separately.
- Beam angle based on CS or WH reflector finish.
- Available with WW Distribution only.
- W Distribution, OF Flange Type, WH Reflector Finish only. Standard with AD diffuse acrylic lens. IP and WET/CC options standard.
- Not available with lumen stops L50 and higher when specified with flush or regressed trim types.
- Not available with lumen stops L50 and higher when specified with flush or regressed trim types.
- O and A Trim Types only.
- For use with mud-in plaster construction only, supplied with mud flange installation kit. See page 5 for FLANGE TYPE DETAILS. Not available with ATH or IP options.
- Not available with WH Reflector Finish, L or S Trim Types.
- L and R Trim Types only.
- Not available with O trim type. W distribution only.
- Not available with O trim type. W distribution only.
- O Trim Type only. WET/CC standard. L50 lumen package max.
- L50 lumen package max with O Trim Type.
- WH and BL Reflector Finishes only. Not available with S Trim Type.
- R Trim Type only. Not available with MWT.
- Mounting hardware required (N and I only), ordered separately, see MOUNTING HARDWARE ordering info. See page 5 for MOUNTING TYPE DETAILS.
- Additional mounting hardware options available. See page 6 for MOUNTING HARDWARE DETAILS.
- L20 lumen package max. L30 available, wide distribution only for lensed trims.
- Also used in new construction sheetrock ceilings.
- N and I Mounting Types only. I Mounting requires external brackets.
- N Mounting Type only
- N Mounting Type only



Available with BIOS® consult factory

4DR LED 4.5" Downlight – Round

FIXTURE PERFORMANCE DATA

OPEN REFLECTOR TRIM TYPE

| | DIST. | DELIVERED LUMENS | WATTAGE | EFFICACY (lm/W) |
|-----|-------|------------------|---------|-----------------|
| L10 | W | 1027 | 9.0 | 113.6 |
| | M | 999 | 9.0 | 110.5 |
| | N | 1000 | 9.0 | 110.6 |
| L15 | W | 1466 | 13.9 | 105.8 |
| | M | 1471 | 13.9 | 106.2 |
| | N | 1473 | 13.9 | 106.3 |
| L20 | W | 2005 | 19.8 | 101.0 |
| | M | 2002 | 19.8 | 101.0 |
| | N | 2004 | 19.8 | 101.1 |
| L30 | W | 2985 | 27.8 | 107.3 |
| | M | 2900 | 27.8 | 104.2 |
| | N | 2734 | 27.8 | 98.3 |
| L40 | W | 3979 | 38.0 | 104.7 |
| | M | 3865 | 38.0 | 101.7 |
| | N | 3644 | 38.0 | 95.9 |
| L50 | W | 5124 | 45.2 | 113.4 |
| | M | 4956 | 45.2 | 109.6 |
| | N | 4818 | 45.1 | 106.8 |
| L60 | W | 6157 | 58.6 | 105.0 |
| | M | 5955 | 58.6 | 101.6 |
| | N | 5789 | 58.6 | 98.8 |

FLUSH LENS TRIM TYPE

| | DIST. | DELIVERED LUMENS | WATTAGE | EFFICACY (lm/W) |
|-----|-------|------------------|---------|-----------------|
| L10 | W | 674 | 9.0 | 74.6 |
| | M | 895 | 9.0 | 99.0 |
| | N | 914 | 9.0 | 101.2 |
| L15 | W | 994 | 13.9 | 71.7 |
| | M | 1319 | 13.9 | 95.1 |
| | N | 1347 | 13.9 | 97.2 |
| L20 | W | 1352 | 19.8 | 68.3 |
| | M | 1794 | 19.8 | 90.6 |
| | N | 1833 | 19.8 | 92.6 |
| L30 | W | 2022 | 27.8 | 72.7 |
| | M | 2683 | 27.8 | 96.5 |
| | N | 2741 | 27.8 | 98.6 |
| L40 | W | 2695 | 38.0 | 70.9 |
| | M | 3577 | 38.0 | 94.1 |
| | N | 3654 | 38.0 | 96.2 |
| L50 | W | 3364 | 45.2 | 74.4 |
| | M | - | - | - |
| | N | - | - | - |
| L60 | W | 4042 | 58.6 | 69.0 |
| | M | - | - | - |
| | N | - | - | - |

REGRESSED LENS TRIM TYPE

| | DIST. | DELIVERED LUMENS | WATTAGE | EFFICACY (lm/W) |
|-----|-------|------------------|---------|-----------------|
| L10 | W | 660 | 9.0 | 73.0 |
| | M | 895 | 9.0 | 99.1 |
| | N | 882 | 9.0 | 97.7 |
| L15 | W | 972 | 13.9 | 70.2 |
| | M | 1319 | 13.9 | 95.2 |
| | N | 1300 | 13.9 | 93.8 |
| L20 | W | 1323 | 19.8 | 66.2 |
| | M | 1795 | 19.8 | 90.8 |
| | N | 1769 | 19.8 | 88.5 |
| L30 | W | 1979 | 27.8 | 71.1 |
| | M | 2685 | 27.8 | 96.5 |
| | N | 2646 | 27.8 | 95.1 |
| L40 | W | 2638 | 38.0 | 69.4 |
| | M | 3579 | 38.0 | 94.2 |
| | N | 3527 | 38.0 | 92.8 |
| L50 | W | 3292 | 45.2 | 72.8 |
| | M | - | - | - |
| | N | - | - | - |
| L60 | W | 3955 | 58.6 | 67.5 |
| | M | - | - | - |
| | N | - | - | - |

MULTIPLIER TABLES

| | COLOR TEMPERATURE | |
|--------|-------------------|-------------------|
| | CCT | CONVERSION FACTOR |
| 80 CRI | 2700K | 0.92 |
| | 3000K | 0.98 |
| | 3500K | 1.00 |
| | 4000K | 1.01 |
| | 5000K | 1.02 |
| 90 CRI | 2700K | 0.76 |
| | 3000K | 0.79 |
| | 3500K | 0.82 |
| | 4000K | 0.84 |
| | 5000K | 0.88 |

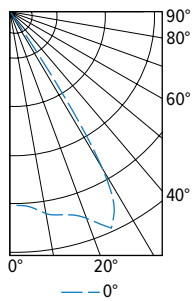
| | REFLECTOR FINISH | |
|-----------------|------------------|-------------------|
| | CATALOG NUMBER | CONVERSION FACTOR |
| O TRIM | CS | 1.00 |
| | SG ¹ | 0.92 |
| | GD | 0.93 |
| | CG | 0.96 |
| | PW | 0.86 |
| | SPC | 1.02 |
| | RG | 0.88 |
| | WH ¹ | 0.89 |
| BL ¹ | 0.47 | |
| R TRIM | WH | 1.00 |
| | CS | 0.98 |
| | BL | 0.79 |

| | TRIM | |
|---------------------|----------------|-------------------|
| | CATALOG NUMBER | CONVERSION FACTOR |
| S | 0.85 | |
| AD | 0.85 | |
| PD | 0.85 | |
| TD | 0.75 | |
| WET/CC ² | 0.85 | |

- Distribution will also be affected, consult factory.
 - Use multiplier when specified with O Trim Type.
- Photometrics tested in accordance with IESNA LM-79. Results shown are based on 25°C ambient temperature.
 - Wattage shown is based on 120V input.
 - Results based on 3500K, 80 CRI, actual lumens may vary +/-5%
 - Use multiplier tables to calculate additional options.

PHOTOMETRY

4DR-TL-L20/835-DIM-UNV-OW-OF-CS Report #: 20685; 12/13/18 | Total Luminaire Output: 2005 lumens; 19.8 Watts | Efficacy: 101.0 lm/W | 83.1 CRI; 3472K CCT



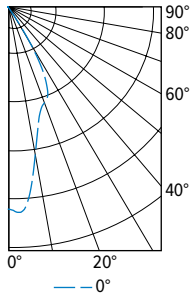
| CANDLEPOWER DISTRIBUTION | VERTICAL ANGLE | HORIZONTAL ANGLE 0° | ZONAL LUMENS |
|--------------------------|----------------|---------------------|--------------|
| | | 0 | 1810 |
| | 5 | 1864 | 178 |
| | 15 | 1960 | 556 |
| | 25 | 2231 | 1033 |
| | 35 | 307 | 193 |
| | 45 | 44 | 35 |
| | 55 | 11 | 10 |
| | 65 | 1 | 1 |
| | 75 | 0 | 0 |
| | 85 | 0 | 0 |
| | 90 | 0 | 0 |

| LUMEN SUMMARY | ZONE | LUMENS | % FIXTURE |
|---------------|--------|--------|-----------|
| | 0 - 40 | 1959 | 98 |
| | 0 - 60 | 2004 | 100 |
| | 0 - 90 | 2005 | 100 |
| | 0-180 | 2005 | 100 |



4DR LED 4.5" Downlight – Round

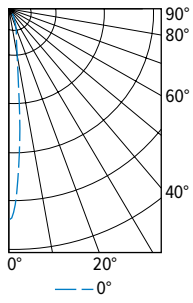
4DR-TL-L20/835-DIM-UNV-OM-OF-CS Report #: 12316380.04; 06/04/18 | Total Luminaire Output: 2002 lumens; 19.8 Watts | Efficacy: 101.0 lm/W | 82.8 CRI; 3600K CCT



| CANDLEPOWER DISTRIBUTION | VERTICAL ANGLE | HORIZONTAL ANGLE | ZONAL LUMENS |
|--------------------------|----------------|------------------|--------------|
| | | 0° | |
| | 0 | 4051 | |
| | 5 | 4009 | 249 |
| | 15 | 2312 | 353 |
| | 25 | 1790 | 365 |
| | 35 | 157 | 29 |
| | 45 | 36 | 11 |
| | 55 | 8 | 3 |
| | 65 | 2 | 1 |
| | 75 | 1 | 0 |
| | 85 | 0 | 0 |
| | 90 | 0 | 0 |

| LUMEN SUMMARY | ZONE | LUMENS | % FIXTURE |
|---------------|-------|--------|-----------|
| | 0-40 | 1962 | 98 |
| | 0-60 | 1999 | 100 |
| | 0-90 | 2002 | 100 |
| | 0-180 | 2002 | 100 |

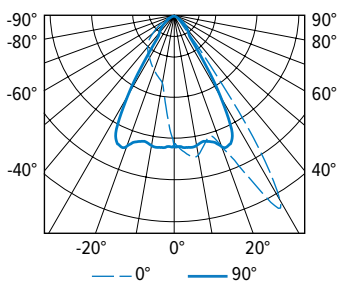
4DR-TL-L20/835-DIM-UNV-ON-OF-CS Report #: 12316380.05; 06/07/18 | Total Luminaire Output: 2004 lumens; 19.8 Watts | Efficacy: 101.1 lm/W | 82.8 CRI; 3587K CCT



| CANDLEPOWER DISTRIBUTION | VERTICAL ANGLE | HORIZONTAL ANGLE | ZONAL LUMENS |
|--------------------------|----------------|------------------|--------------|
| | | 0° | |
| | 0 | 21310 | |
| | 5 | 10690 | 415 |
| | 15 | 2372 | 322 |
| | 25 | 912 | 199 |
| | 35 | 89 | 10 |
| | 45 | 10 | 3 |
| | 55 | 2 | 1 |
| | 65 | 1 | 0 |
| | 75 | 0 | 0 |
| | 85 | 0 | 0 |
| | 90 | 0 | 0 |

| LUMEN SUMMARY | ZONE | LUMENS | % FIXTURE |
|---------------|-------|--------|-----------|
| | 0-40 | 1993 | 100 |
| | 0-60 | 2003 | 100 |
| | 0-90 | 2005 | 100 |
| | 0-180 | 2005 | 100 |

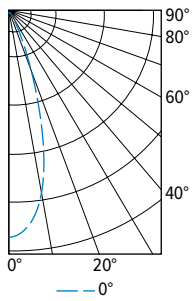
4DR-TL-L20/835-DIM-UNV-OWW-OF-CS Report #: 12316380.06; 06/11/18 | Total Luminaire Output: 1131 lumens; 19.8 Watts | Efficacy: 57.2 lm/W | 82.6 CRI; 3596K CCT



| CANDLEPOWER DISTRIBUTION | VERTICAL ANGLE | HORIZONTAL ANGLE | | | | | ZONAL LUMENS |
|--------------------------|----------------|------------------|------|------|------|------|--------------|
| | | 0° | 45° | 90° | 135° | 180° | |
| | 0 | 1036 | 1036 | 1036 | 1036 | 1036 | |
| | 5 | 1105 | 1057 | 1053 | 805 | 713 | 65 |
| | 15 | 1000 | 993 | 1037 | 443 | 488 | 127 |
| | 25 | 1550 | 1154 | 1030 | 364 | 408 | 194 |
| | 35 | 434 | 258 | 223 | 305 | 340 | 74 |
| | 45 | 67 | 62 | 136 | 242 | 261 | 54 |
| | 55 | 30 | 28 | 70 | 143 | 144 | 33 |
| | 65 | 21 | 18 | 30 | 74 | 75 | 18 |
| | 75 | 7 | 5 | 11 | 36 | 34 | 7 |
| | 85 | 0 | 0 | 1 | 5 | 0 | 0 |
| | 90 | 0 | 0 | 0 | 0 | 0 | 0 |

| LUMEN SUMMARY | ZONE | LUMENS | % FIXTURE |
|---------------|---------|--------|-----------|
| | 0 - 40 | 875 | 77 |
| | 0 - 60 | 1066 | 94 |
| | 0 - 90 | 1131 | 100 |
| | 0 - 180 | 1131 | 100 |

4DR-TL-L20/835-DIM-UNV-LM-OF-WH Report #: 1216380.09; 06/11/18 | Total Luminaire Output: 1794 lumens; 19.8 Watts | Efficacy: 90.6 lm/W | 82.6 CRI; 3549K CCT



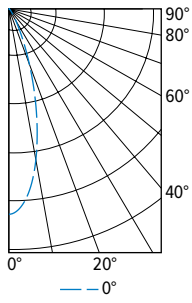
| CANDLEPOWER DISTRIBUTION | VERTICAL ANGLE | HORIZONTAL ANGLE | ZONAL LUMENS |
|--------------------------|----------------|------------------|--------------|
| | | 0° | |
| | 0 | 4642 | |
| | 5 | 4443 | 297 |
| | 15 | 2727 | 340 |
| | 25 | 737 | 132 |
| | 35 | 193 | 50 |
| | 45 | 88 | 32 |
| | 55 | 56 | 23 |
| | 65 | 34 | 15 |
| | 75 | 17 | 7 |
| | 85 | 3 | 1 |
| | 90 | 0 | 0 |

| LUMEN SUMMARY | ZONE | LUMENS | % FIXTURE |
|---------------|-------|--------|-----------|
| | 0-40 | 1618 | 90 |
| | 0-60 | 1738 | 97 |
| | 0-90 | 1794 | 100 |
| | 0-180 | 1794 | 100 |



4DR LED 4.5" Downlight – Round

4DR-TL-L20/835-DIM-UNV-RM-OF-WH Report #: 12316380.14; 06/12/18 | Total Luminaire Output: 1795 lumens; 19.8 Watts | Efficacy: 90.8 lm/W | 82.7 CRI; 3546K CCT



| CANDLEPOWER DISTRIBUTION | VERTICAL ANGLE | HORIZONTAL ANGLE | ZONAL LUMENS |
|--------------------------|----------------|------------------|--------------|
| | | 0° | |
| | 0 | 5176 | |
| | 5 | 4824 | 311 |
| | 15 | 2680 | 342 |
| | 25 | 786 | 140 |
| | 35 | 194 | 49 |
| | 45 | 75 | 26 |
| | 55 | 42 | 17 |
| | 65 | 22 | 9 |
| | 75 | 9 | 4 |
| | 85 | 2 | 1 |
| | 90 | 0 | |

| LUMEN SUMMARY | ZONE | LUMENS | % FIXTURE |
|---------------|-------|--------|-----------|
| | 0-40 | 1663 | 93 |
| | 0-60 | 1761 | 98 |
| | 0-90 | 1796 | 100 |
| | 0-180 | 1796 | 100 |

ADDITIONAL CONTROL OPTIONS

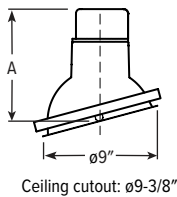
Lumen restrictions apply: L40 max for DMX driver, L40 max for Lutron drivers, L50 max for ELDO drivers, L60 max for DIM LINE driver. R Mounting Type only available with DIM, DIM1, and DIM LINE controls. 347V may require stepdown transformer, see product builder at hew.com/product-builder.

| CATALOG NUMBER | DESCRIPTION |
|-----------------|---|
| DIM | Dimming driver prewired for 0-10V low voltage applications |
| DIM1 | 1% dimming driver prewired for 0-10V low voltage applications |
| DIM LINE | Line voltage dimming driver (TRIAC and ELV compatible at 120V only) |
| DMX | 0.1% dimming driver for DMX controls |
| LTE LINE | Lutron Hi-lume 1% 2-wire dimming driver forward phase line voltage controls (120V only) |
| LDE1 | Lutron Hi-lume 1% EcoSystem dimming LED driver |
| LDE5 | Lutron 5-Series 5% EcoSystem dimming LED driver |
| VRF/DBI/LDE1 | Lutron Vive integral fixture control, RF only (DFCSJ-OEM-RF), Lutron Hi-lume 1% EcoSystem dimming LED driver, and digital link interface |
| VRF/DBI/LDE5 | Lutron Vive integral fixture control, RF only (DFCSJ-OEM-RF), Lutron 5-Series 5% EcoSystem dimming LED driver, and digital link interface |
| FCJS/DIM | Lutron Vive PowPak wireless fixture control with dimming driver |
| FCJS/DIM1 | Lutron Vive PowPak wireless fixture control with 1% dimming driver |
| ELDO SOLOB | EldoLED Solodrive, 0.1% dimming driver for 0-10V controls |
| ELDO SOLOB DALI | EldoLED Solodrive, 0.1% dimming driver for DALI controls |
| ELDO ECO1 | EldoLED Ecodrive, 1% dimming driver for 0-10V controls |
| ELDO ECO1 DALI | EldoLED Ecodrive, 1% dimming driver for DALI controls |

TRIMLOCK DETAILS



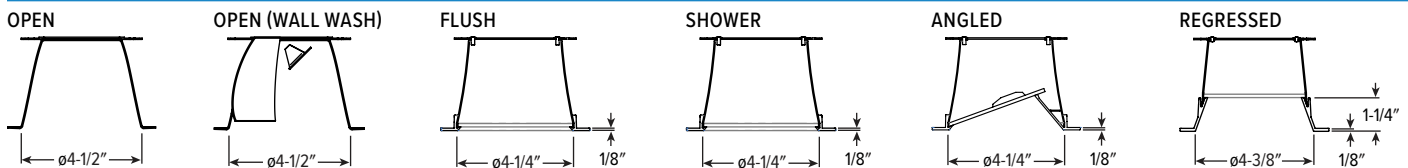
SLOPED CEILING ADAPTOR DETAILS



| LUMENS | A (HEIGHT) | | | | | | PLENUM HEIGHT |
|-----------|------------|----------|----------|----------|--------|----------|---------------|
| | 5° | 10° | 15° | 20° | 25° | 30° | |
| L10 - L30 | 8-13/16" | 8-15/16" | 9" | 8-15/16" | 8-7/8" | 8-11/16" | 9-1/4" |
| L40 - L60 | 9-9/16" | 9-11/16" | 9-11/16" | 9-5/8" | 9-1/2" | 9-5/16" | 10" |

15° Shown

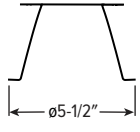
TRIM TYPE DETAILS



4DR LED 4.5" Downlight – Round

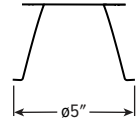
FLANGE TYPE DETAILS

1/2" STANDARD



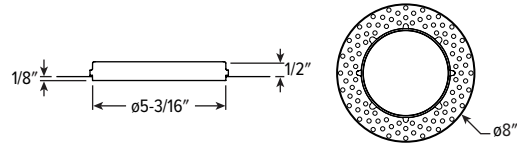
Ceiling Cutout: $\phi 5"$

1/4" MUD-IN



Ceiling cutout: $\phi 5-1/2"$

MUD FLANGE MOUNTING KIT (SLIM FLANGE TYPE)



REFLECTOR FINISH DETAILS

SPC
Clear specular

SG
Satin-glow

PW
Pewter

GD
Gold

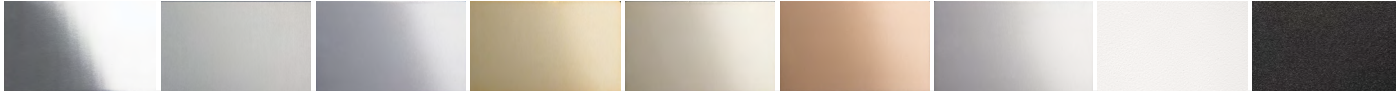
CG
Champagne gold

RG
Rose gold

CS
Clear semi-specular

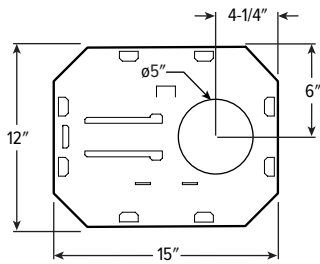
WH
White

BL
Black

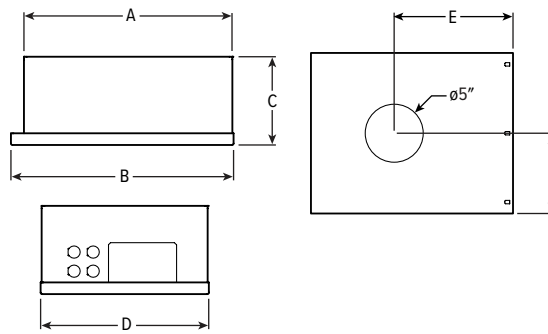


MOUNTING TYPE DETAILS

NEW CONSTRUCTION

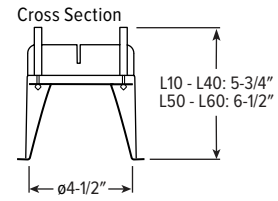


IC-RATED

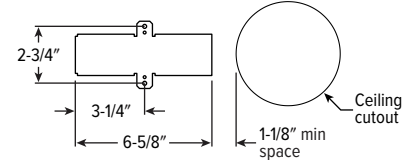


| LUMENS | LENGTH | | | | | |
|-----------|----------|---------|--------|---------|---------|---------|
| | A | B | C | D | E | F |
| L10 - L20 | 15-3/16" | 16" | 6-3/8" | 12-1/8" | 9-1/2" | 6-1/16" |
| L30 | 16-5/8" | 17-1/2" | 7-7/8" | 14" | 10-1/4" | 7" |

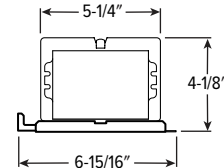
REMODEL



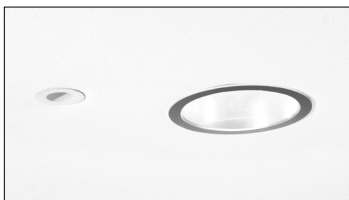
Receiver Bracket



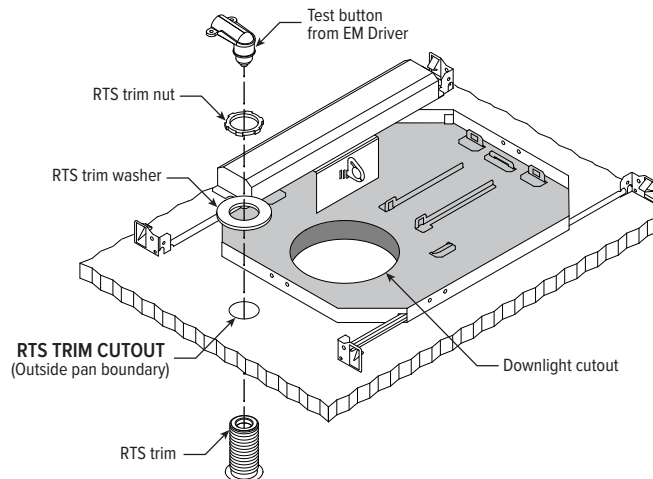
Driver and Junction Box



EM/10W/RTS DETAILS



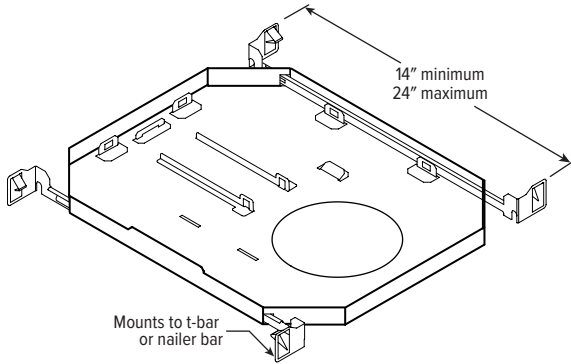
Shown Installed



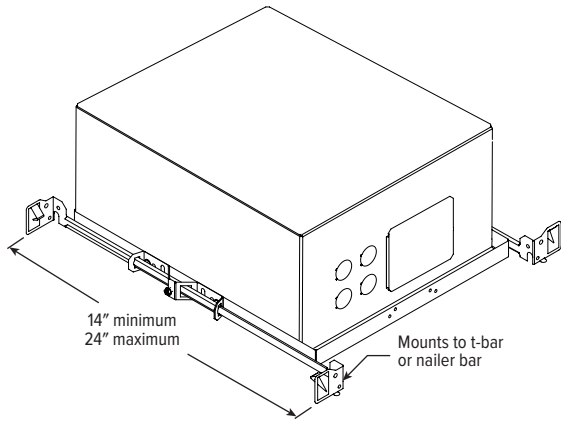
4DR LED 4.5" Downlight – Round

MOUNTING HARDWARE DETAILS

F1 Integral 2-position fixed pan bracket, universal bar hanger included



Mounts to t-bar or nailer bar

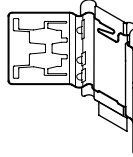


14" minimum
24" maximum

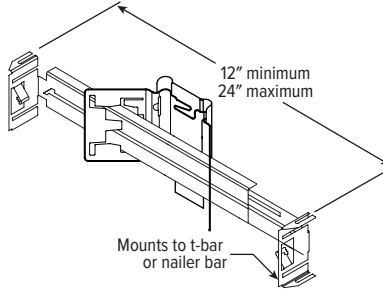
Mounts to t-bar or nailer bar

F1 with I Mounting Type

BA1 Adjustable butterfly pan bracket, bar hanger not included (N Mounting Type only)

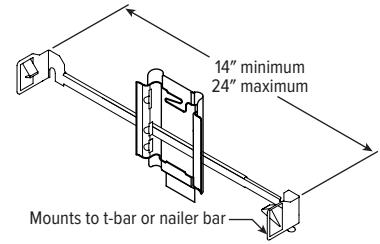


BA2 Adjustable butterfly pan bracket, heavy-duty universal bar hanger included (N Mounting Type only)



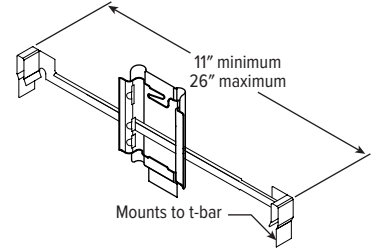
Mounts to t-bar or nailer bar

CA1 Adjustable caterpillar pan bracket, universal bar hanger included (N Mounting Type only)



Mounts to t-bar or nailer bar

CA2 Adjustable caterpillar pan bracket, t-bar hanger included (N Mounting Type only)



Mounts to t-bar

