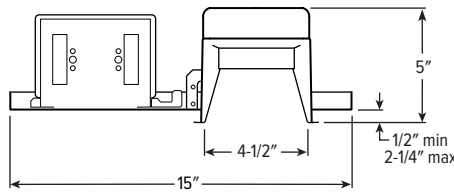
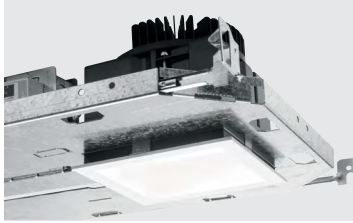


4DS dim to WARM

4.5" Downlight – Square



CATALOG #: _____

TYPE: _____

PROJECT: _____

NEW CONSTRUCTION AND REMODEL

FEATURES

- Dim to warm from 1800K to 3000K CCT, minimum 95 CRI
- 4 inch aperture is unobtrusive in small scale spaces
- Square shape accentuates architectural styles
- Open reflector with 7 finishes to complement any interior style
- Die cast trim choices include flush, regressed or angled lens
- Spring clip retention system eliminates trim sag
- Contemporary design provides glare-free illumination for a soft ceiling appearance
- Fully room-side accessible

SPECIFICATIONS

- **HOUSING** – Die-cast aluminum trim housing with forged aluminum heat sink. Galvanized steel splice compartment with driver mounting plate/enclosure. Swing-out mounting arms field adjust for ceiling thickness from 1/2" – 2-1/4".
- **OPEN REFLECTOR** – Low-iridescent anodized aluminum with top diffuser.
- **LENSED TRIM** – Die-cast aluminum frame with micro-prismatic, acrylic lens.
- **ELECTRICAL** – High-performance Class 2 C.O.B. LED array. Modular quick-connect plug for easy field-connection of LED light assembly to driver. Reported L70>55,000 hours. Reported L90>55,000 hours. Estimated L70 = 200,000 hours.
- **MOUNTING** – Recessed. 20 ga. galvanized steel mounting pan for new construction or IC-rated enclosure. Remodel kit option includes receiver bracket hardware.
- **LISTINGS** –
 - cCSAus conforms to UL STD 1598; Certified to CAN/CSA STD C22.2 No. 250.0 for damp locations. LED light assembly conforms to UL 2108 for remote installation.
 - Suitable for wet location under covered ceiling when specified with WET/CC option.
 - IC-rated for direct contact with insulation when specified with I Mounting Type.
 - City of Chicago Environmental Air approved when specified with CP option.
 - Complies with ASTM-E283 when specified with ATH option.
 - RoHS compliant.
- **WARRANTY** – 5-year limited warranty, see hew.com/warranty.

ORDERING EXAMPLE: 4DS - L21/9DW - OPTIONS - DIM1 - UNV - LW - OF - WH - TRIM OPTIONS - N - F1

HOUSING

SERIES	LUMENS ^[1]	COLOR	OPTIONS	CONTROL	VOLTAGE
4DS	L7 700lm	9DW Dim to warm (95 CRI, 1800K – 3000K)	CP Chicago plenum (CEA) ^[2]	DIM1 1% dimming driver (0-10V signal to control dimming and CCT)	UNV 120-277V 347 347V ^[6]
	L13 1,300lm		F Fuse kit		
	L21 2,100lm		ATH Airtight construction		
			SDT Stepdown transformer ^[3]	LUT Lutron Ecosystem enabled ^[5]	
			EM/7W 7-watt emergency battery ^[4]		
			EM/10W 10-watt emergency battery ^[7]		
			EM/10W/RTS 10-watt emergency battery with regressed test switch ^[8]		

TRIM^[9]

TRIM TYPE	DISTRIBUTION ^[10]	FLANGE TYPE	REFLECTOR FINISH	TRIM OPTIONS
L Flush lens	W Wide	OF 1/2" standard flange	Open trim types	MWT Textured white trim flange ^[15]
O Open reflector	55° Open	SF 1/4" mud-in flange ^[13]	CS Clear semi-specular anodize	IP IP65 rated trim ^[16]
R Regressed lens	60° Flush		SG Satin-glow anodize	AD Diffuse acrylic lens ^[17]
A Angled lens ^[11]	60° Regressed		GD Gold anodize	PD Diffuse 1/8" polycarbonate lens ^[18]
	M Medium		CG Champagne gold anodize	WET/CC Wet location, covered ceiling listed ^[19]
	45° Open		PW Pewter anodize	AM Anti-microbial ^[20]
	35° Flush		SPC Clear specular anodize	
	35° Regressed		RG Rose gold anodize	
	N Narrow		Lens trim types	
	40° Open		CS Clear semi-specular powder coat	
	25° Flush		WH White texture powder coat	
	25° Regressed		BL Black texture powder coat	
	WW Wall wash ^[12]		MB Black texture splay with white flange ^[14]	

MOUNTING

MOUNTING TYPE^[21]

- N Open pan for new construction
- I IC-rated enclosure for new construction^[23]
- R Remodel kit^[24]

MOUNTING HARDWARE^[22]

- F1 Integral 2-position fixed pan bracket, universal bar hanger included^[25]
- BA1 Adjustable butterfly pan bracket, bar hanger not included^[26]
- CA1 Adjustable caterpillar pan bracket, universal bar hanger included^[27]

NOTES

- Lumen output based on full light output, L trim type, M distribution and WH finish, 3000K/95CRI. Actual lumens may vary +/-5%. See page 2 for FIXTURE PERFORMANCE DATA.
- I Mounting Type required.
- May be required for 347V, see product builder at hew.com/product-builder
- N and R Mounting Types only. Not available with ATH or IP options.
- Not available with I Mounting Type.
- Not available with EM batteries.
- N and R Mounting Types only. Not available with ATH or IP options.
- Not available with WET/CC, ATH or IP options. N and R Mounting Types only. See page 4 for EM/10W/RTS DETAILS.
- Trim ships separately.
- Beam angle based on CS or WH reflector finish.
- Available with WW Distribution only.
- O and A Trim Types only.
- For use with mud-in plaster construction only, supplied with mud flange installation kit. See page 3 for FLANGE TYPE DETAILS. Not available with ATH or IP options.
- R Trim Type only. Not available with MWT.
- Not available with WH Reflector Finish or L Trim Type.
- L and R trim types only.
- Not available with O trim type. W and WW distributions only.
- Not available with O trim type. W and WW distributions only.
- Not available with O Trim Type. Not available with PD trim option.
- WH and BL Reflector Finishes only.
- Mounting hardware required (N and I only), ordered separately, see MOUNTING HARDWARE ordering info. See page 4 for MOUNTING TYPE DETAILS.
- Additional mounting hardware options available. See page 5 for MOUNTING HARDWARE DETAILS.
- L7 and L13 lumen packages only.
- Also used in new construction sheetrock ceilings.
- N and I Mounting Types only. I Mounting requires external brackets.
- N Mounting Type only.
- N Mounting Type only.



4DS dim to WARM

4.5" Downlight – Square

FIXTURE PERFORMANCE DATA

OPEN REFLECTOR TRIM TYPE

	DIST.	DELIVERED LUMENS	CCT AT 100% (FULL OUTPUT)	CCT AT 1% (FULL DIM)	WATTAGE	EFFICACY (lm/W)
L7	W	629	3000K	1800K	14.0	44.9
	M	694			14.0	49.6
	N	709			14.0	50.6
L13	W	1102			23.4	47.2
	M	1216			23.4	52.0
	N	1243			23.4	53.2
L21	W	1805			37.7	47.9
	M	1991			37.7	52.8
	N	2035			37.7	54.0

FLUSH LENS TRIM TYPE

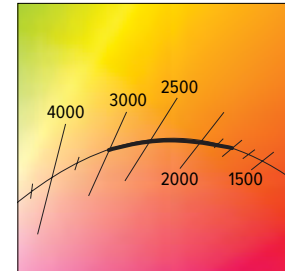
	DIST.	DELIVERED LUMENS	CCT AT 100% (FULL OUTPUT)	CCT AT 1% (FULL DIM)	WATTAGE	EFFICACY (lm/W)
L7	W	681	3000K	1800K	14.0	48.6
	M	751			14.0	53.6
	N	759			14.0	54.2
L13	W	1193			23.4	51.1
	M	1316			23.4	56.3
	N	1330			23.4	56.9
L21	W	1956			37.7	51.9
	M	2147			37.7	56.9
	N	2180			37.7	57.8

REGRESSED LENS TRIM TYPE

	DIST.	DELIVERED LUMENS	CCT AT 100% (FULL OUTPUT)	CCT AT 1% (FULL DIM)	WATTAGE	EFFICACY (lm/W)
L7	W	654	3000K	1800K	14.0	46.7
	M	738			14.0	52.7
	N	751			14.0	53.6
L13	W	1147			23.4	49.1
	M	1293			23.4	55.3
	N	1316			23.4	56.3
L21	W	1878			37.7	49.8
	M	2116			37.7	56.1
	N	2155			37.7	57.2

MULTIPLIER TABLES

OPEN REFLECTOR FINISH		
CATALOG NUMBER	REFLECTOR FINISH	CONVERSION FACTOR
CS	Clear semi-specular	1.00
SG	Satin-glow	0.92
GD	Gold	0.93
CG	Champagne Gold	0.96
PW	Pewter	0.86
SPC	Specular	1.02
RG	Rose Gold	0.88
WH	White, textured	0.89
BL	Black, textured	0.79

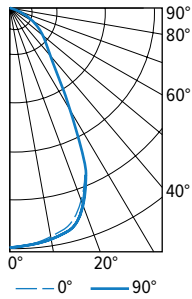


- Photometrics tested in accordance with IESNA LM-79. Results shown are based on 25°C ambient temperature.
- Wattage shown is based on 120V input.
- Results based on 3000K, 95 CRI, full output, actual lumens may vary +/-5%
- Use multiplier tables to calculate additional options.

TRIM	
CATALOG NUMBER	CONVERSION FACTOR
AD	0.85
PD	0.85

PHOTOMETRY

4DS-L21/9DW-DIM1-UNV-LW-OF-WH Total Luminaire Output: 1956 lumens; 37.7 Watts | Efficacy: 51.9 lm/W | 95.0 CRI; 3000K CCT



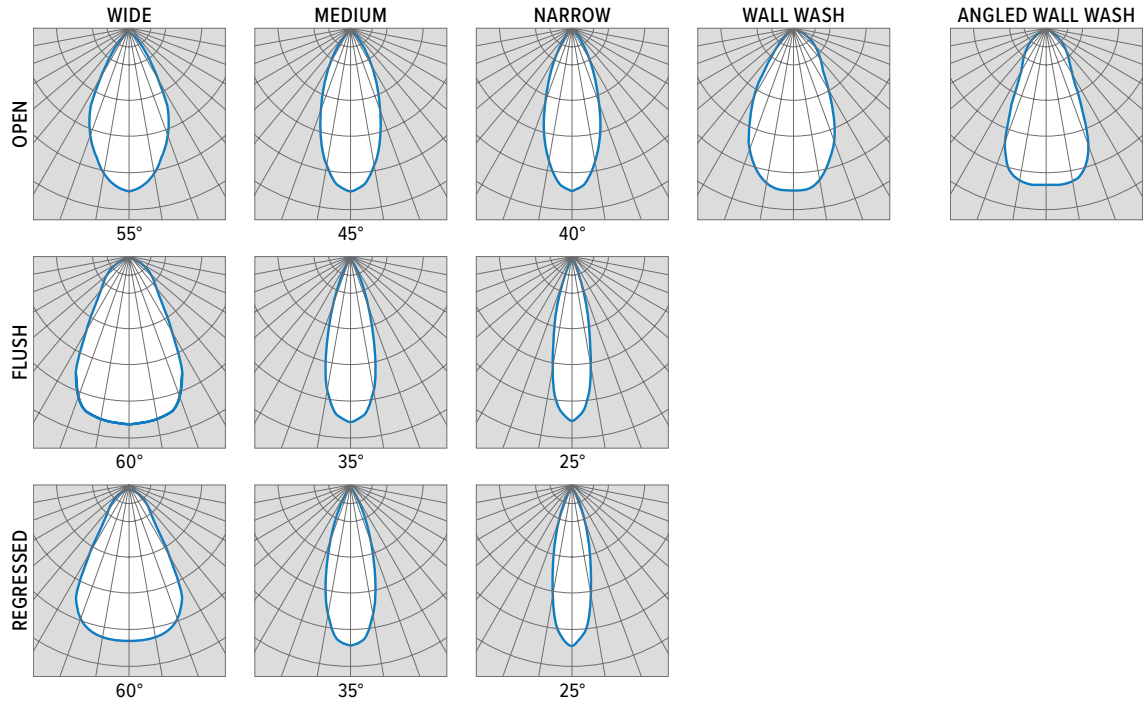
VERTICAL ANGLE	HORIZONTAL ANGLE			ZONAL LUMENS
	0°	45°	90°	
0	1454	1454	1454	
5	1441	1441	1442	137
15	1359	1379	1388	386
25	1055	1194	1058	502
35	477	726	468	368
45	302	328	299	246
55	183	188	182	169
65	96	93	94	97
75	40	39	40	43
85	5	4	6	8
90	0	0	0	

LUMEN SUMMARY	ZONE	LUMENS	% FIXTURE
	0 - 30	1025	52
	0 - 40	1393	71
	0 - 60	1807	92
	0 - 90	1956	100
	0 - 180	1956	100

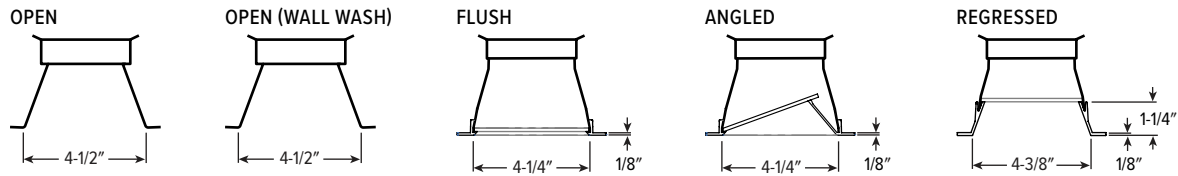


4DS dim to WARM

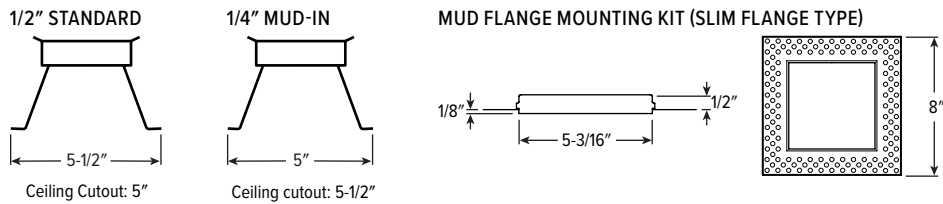
4.5" Downlight – Square



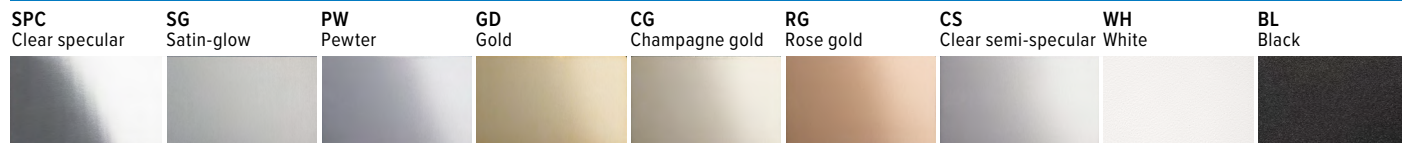
TRIM TYPE DETAILS



FLANGE TYPE DETAILS



REFLECTOR FINISH DETAILS

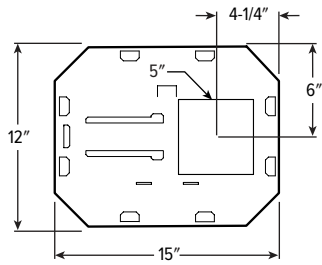


4DS dim to WARM

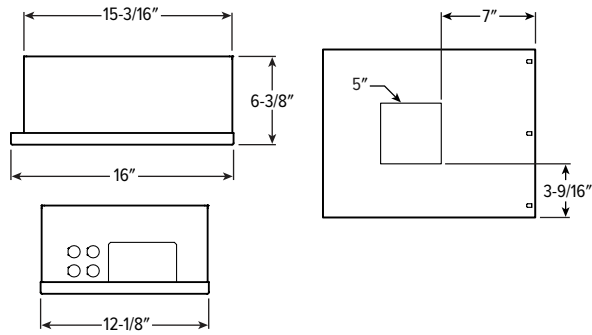
4.5" Downlight – Square

MOUNTING TYPE DETAILS

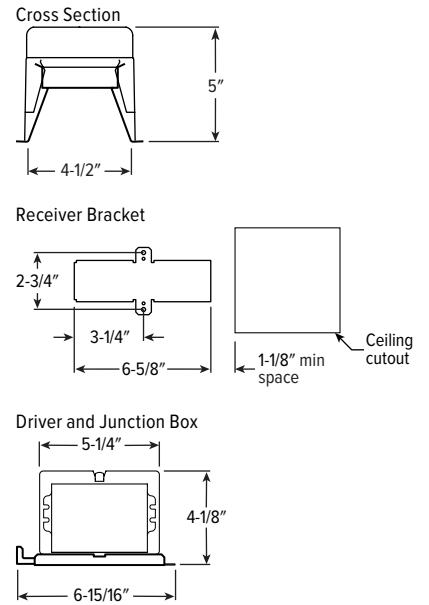
NEW CONSTRUCTION



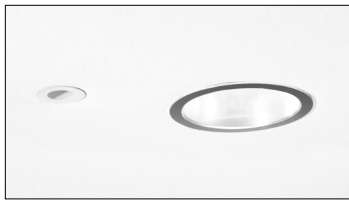
IC-RATED



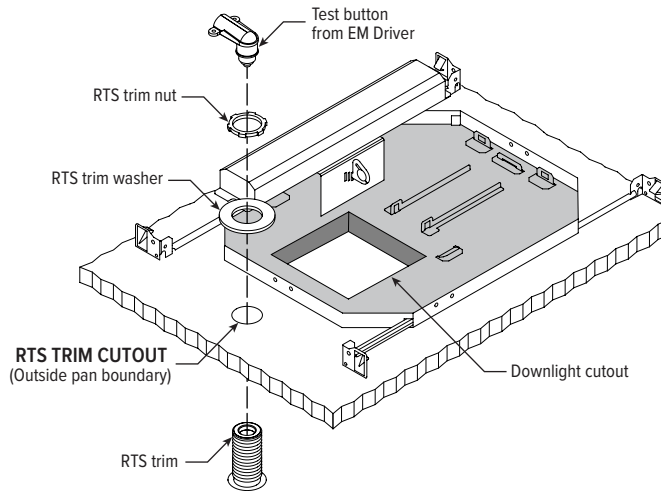
REMODEL



EM/10W/RTS DETAILS



Shown Installed

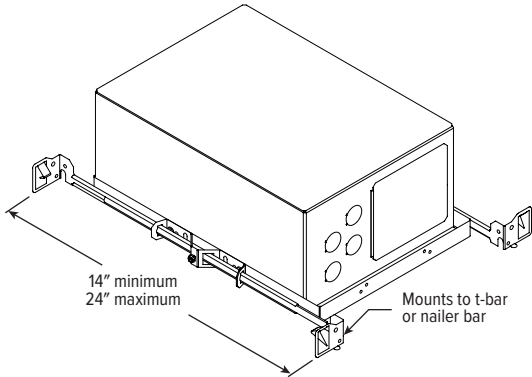
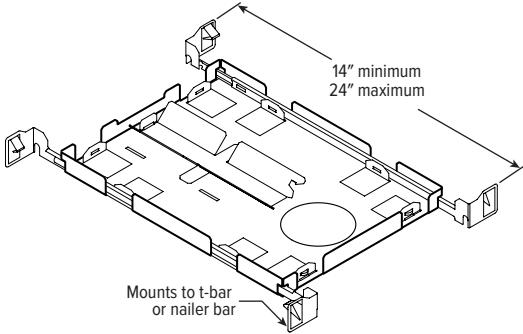


4DS dim to WARM

4.5" Downlight – Square

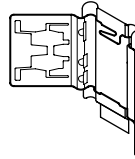
MOUNTING HARDWARE DETAILS

F1 Integral 2-position fixed pan bracket, universal bar hanger included

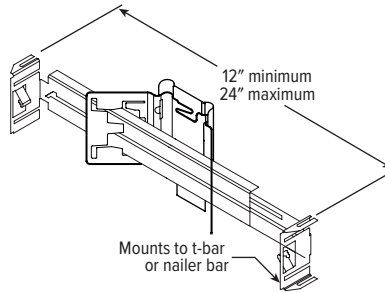


F1 with I Mounting Type

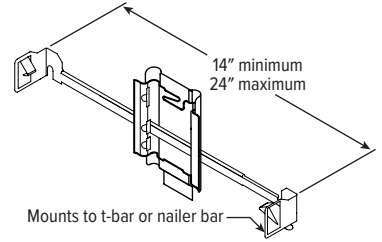
BA1 Adjustable butterfly pan bracket, bar hanger not included (N Mounting Type only)



BA2 Adjustable butterfly pan bracket, heavy-duty universal bar hanger included (N Mounting Type only)



CA1 Adjustable caterpillar pan bracket, universal bar hanger included (N Mounting Type only)



CA2 Adjustable caterpillar pan bracket, t-bar hanger included (N Mounting Type only)

